

ENVISION DECKING AND RAILING PRODUCTS MUST BE INSTALLED IN ACCORDANCE WITH THESE INSTALLATION INSTRUCTIONS. DEVIATIONS FROM THESE INSTRUCTIONS MAY RESULT IN UNSATISFACTORY PERFORMANCE, CREATE A POTENTIAL SAFETY HAZARD, AND MAY EXCLUDE COVERAGE OF THE LIMITED WARRANTY.

Make workplace safety your first priority. Always wear the proper protective clothing and safety equipment, and adhere to all safety guidelines contained herein.

MODIFICATION TO THE BOARD OTHER THAN AS STATED IN THESE INSTALLATION INSTRUCTIONS MAY COMPROMISE THE INTEGRITY OF THE BOARD AND COULD LEAD TO PREMATURE DEGRADATION AND SAFETY ISSUES.

Envision composite decking is specially made with natural board to board color variation. **Layout and view all boards prior to cutting and fastening to ensure the desired look is achieved.**

Decking products located in higher traffic areas may show wear earlier. Dragging furniture or other objects across the product will cause surface scratches.

Discuss any desired material changes, including color issues, with the supplier prior to cutting or fastening the decking structure.

The weathering process for Envision decking products will vary by region due to climate, rain, sunlight exposure, etc. Some variations in decking shade may appear due to weathering at the supplier's yard prior to shipment and due to different lots. For best results, use material from the same date code (stamped on the bottom of the boards) whenever possible.

The color of Envision decking products will usually weather to a lighter shade after several months of exposure to the environment. Color may vary across profiles.

Envision decking products have a more flexible feel than wood, primarily during the heat of summer. This is a natural condition that will not affect the ability of the decking. For a more rigid feel, reduce joist span spacing by 4".

Envision decking products must never be applied directly to any solid surface (concrete, membranes, etc.) or in conjunction with systems where inadequate drainage or improper ventilation are found. Proper ventilation and adequate air circulation underneath the deck promotes the evaporation of water and moisture.

Fire and other sources of excessive heat may damage Envision deck boards. Damage caused by fire or other heat sources may include melting, sagging, warping, discoloration, charring, increased expansion or contraction, accelerated weathering, etc.

Low-E glass is one potential source of excessive heat because it is designed to reflect more sunlight than traditional glass. This enhanced reflectivity combined with any irregularity in the window glass can concentrate sunlight onto the deck and cause heat to build-up on areas of the deck surface. When this occurs, damage to Envision decking is possible. Contact the manufacturer of the product which contains the Low-E glass for suggestions to reduce or eliminate the reflected heat.

Composite decking will retain heat when exposed to direct or reflected sunlight. Exercise caution if walking barefoot as footwear may be required.

DECKING PRODUCTS BEGIN TO AGE AS SOON AS THEY ARE EXPOSED TO NATURE. ENVISION PROVIDES A LIMITED WARRANTY FOR ITS PRODUCTS THAT INCLUDES A BINDING ARBITRATION CLAUSE AND OTHER TERMS AND CONDITIONS WHICH ARE INCORPORATED HEREIN BY REFERENCE. YOU MAY OBTAIN A COPY OF THE LIMITED WARRANTY AT ENVISIONDECKING.COM OR BY CALLING 1-800-253-1401.

LUMBER SIZES & DIMENSIONS

Nominal Size

1" x 6" (12', 16' or 20')	7/8" x 5-1/2"
2" x 6" (12', 16' or 20')	1-7/16" x 5-1/2"
8" EverGrain Riser (12')	1/2" x 7-1/4"
12" EverGrain/Ridge Skirting (12')	1/2" x 11-7/8"
12" Envision Skirting (12')	7/16" x 12"

Actual Size*

7/8" x 5-1/2"
1-7/16" x 5-1/2"
1/2" x 7-1/4"
1/2" x 11-7/8"
7/16" x 12"

*All Tolerances +/- 1/16"

DECKING SPAN CHART

Maximum center-to-center spans with a minimum of three joists are shown below.

Center-To-Center Span

Board Size	Span ¹ (90°)	Span ¹ (up to 45°)	Stair Tread ²
1" x 6"	16"	12"	12"
2" x 6"	24"	16"	16"
1" x 6" Ridge	16"	12"	8"

¹ Live Load Rating of 100 lb/ft²

² Continuous two-span installation

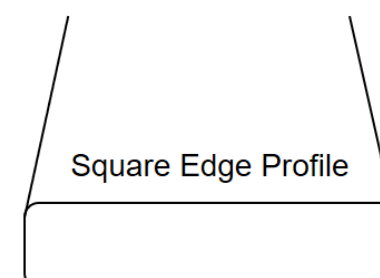
DECKING SPAN GUIDELINES

ENVISION DECKING PRODUCTS ARE NON-STRUCTURAL CONSTRUCTION PRODUCTS. THEREFORE, THE DECKING PRODUCTS MUST NOT BE USED AS A STRUCTURAL MEMBER; INCLUDING JOISTS, LOAD BEARING COLUMNS, STRINGERS OR BEAMS. DECKING MUST NOT BE CANTILEVERED (OVERHANG EDGE OF DECK) BECAUSE STRUCTURAL SUPPORT IS REQUIRED.

FASTENING

Square Edge Fastening

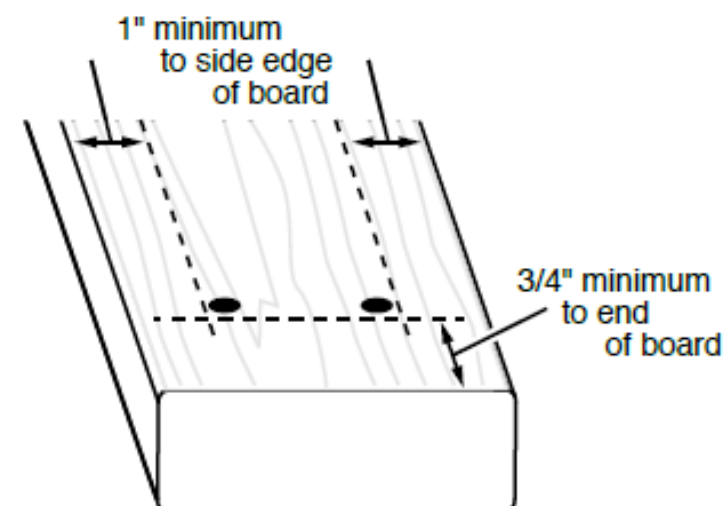
Square edge decking products can be fastened by composite screws or one of many compatible square edge hidden fastening systems available. Installation instructions of the chosen manufacturer must be followed.



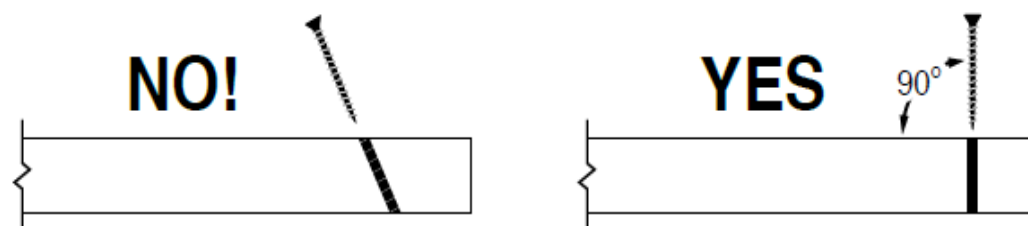
Envision Composite Deck Screws are color matched and designed for use with Envision square edge decking products. When using composite deck screws, nominal 1" thick boards require a minimum #10 – 2 1/2" or longer screw for fastening. Nominal 2" thick boards require a minimum #10 – 2 3/4" or longer screw for fastening.

PRE-DRILLING To avoid splitting and cracking, pre-drilling the fastener holes is recommended near ends of the boards on Envision decking. The drill bit diameter should be the same diameter as the fastener shank.

PLACEMENT Do not overdrive fasteners. Fasteners should be installed flush with the board surface, no more than 1/16" below the surface of the board. Fasteners must be spaced so that no part of the fastener is within 3/4" from the end of the board and 1" from the edge of the board on square edge profiles. Decking must be fastened at every joist perpendicular to the deck surface. Two fasteners are required at the end of the board. Make sure joists are level.

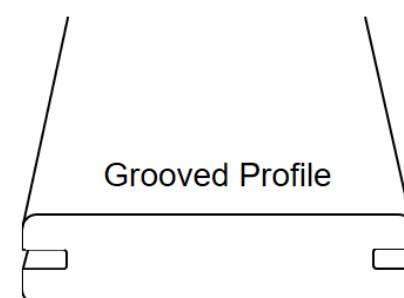


SCREW ORIENTATION Install fasteners perpendicular to board surface. Do not "toe-nail" or "toe-screw."



Grooved Edge Fastening

Grooved edge decking products can be fastened by the EverClip Hidden Fastening System or one of many grooved edge hidden fastening systems available. The chosen fastener manufacturer's installation instructions must be followed.



The EverClip Hidden Fastening System instructions are available at www.EnvisionDecking.com. The first and last grooved edge deck board should be face-fastened when using a compatible grooved edge hidden fastening system. Fasteners must be spaced so that no part of the fastener is within 3/4" from the end of the board and 1-3/8" from the edge of the board.

Skirting

Envision skirting must be fastened with three evenly spaced fasteners every 8" on a solid surface.

CUTTING & DRILLING

When working with Envision decking products, saw blades and router bits with carbide tips are recommended. Saw blades must be sharp. The use of dull saw blades will result in damage to the outer layer of deck boards. For best results, use blades with two teeth per inch. To avoid clogging when drilling holes, frequently remove shavings by raising the drill bit out of the hole.

Modification to the board, other than as stated in these installation instructions (such as cutting to length, drilling fastener hole, etc.), may compromise the integrity of the board which could lead to premature degradation and safety issues.

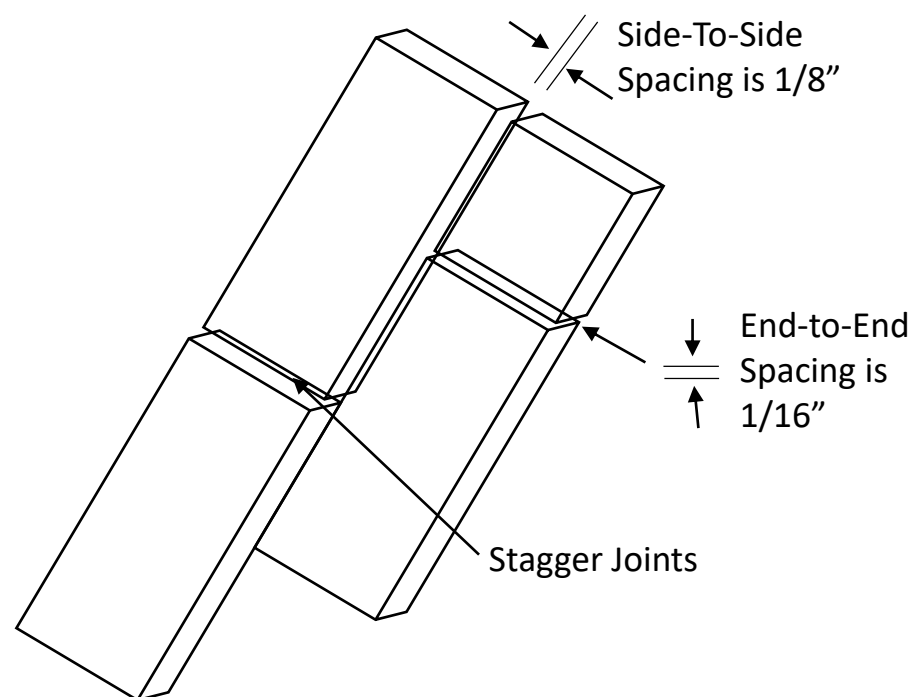
BOARD SPACING

Envision decking and skirting products will expand and contract with changes in temperature. The amount of expansion and contraction will vary depending upon board size and temperature. Smaller boards will expand less and larger board sizes will expand more. When installing decking, side-to-side spacing must be a minimum of 1/8" between adjacent boards.

End-to-end spacing between boards must be approximately 1/16" for every 20-degree increment of temperature difference between the temperature during installation and the maximum expected summertime temperature in your area. Butt joints of boards must be staggered. A sister joist must be utilized at the butt joint to provide a greater fastening area.

EXAMPLE: (See chart below for additional examples.)

80°F at time of installation and a maximum expected summertime temperature of 100°F equals an end spacing of 1/16".



Temp at Install	Max Temp	End to End Spacing
80°F	100°F	1/16"
60°F	100°F	1/8"
40°F	100°F	3/16"

ADDITIONAL FASTENING TIPS

STRING LINE The use of a string line to align fasteners/boards is recommended to enhance the appearance of your finished deck. **(Do not use a chalk line.)**

FASTENER DEPTH Do not drive fasteners more than 1/16" below the surface of the deck board. Be sure to find the proper clutch setting on your fastening device.

Decking Installation Instructions

CLEANING

Semi-annual cleaning of your deck is required. Prompt cleaning of stains is required.

FOR DETAILED CLEANING INFORMATION:

Please visit the care and cleaning section on our website at EnvisionDecking.com.

After cleaning, flush the surface of the decking using a garden hose or a power washer hose with a fan tip nozzle at a pressure not exceeding 1,000 psi to remove any excess cleaning agents. **IMPORTANT NOTE:** Do not sand the surface to remove stains.

HANDLING

Envision decking products are heavier and more flexible than traditional wood products. Use care and do not attempt to lift or carry more decking than you can safely handle at one time. Proper clothing and safety glasses must be worn at all times when working with decking.

Store material on a rigid, smooth, and flat surface. The unused material should be kept covered and supported a minimum of every 24". If boards become bent, most can be bent back to their original shape during application.

Determination of the effectiveness, suitability, and safety of any application or use of Envision decking products is solely the responsibility of the homeowner, contractor, or installer. Building code regulations vary, and the homeowner, contractor, or installer must consult local building and safety codes for specific requirements prior to the application of Envision decking products.

LIMITED WARRANTY

DECKING PRODUCTS BEGIN TO AGE AS SOON AS THEY ARE EXPOSED TO NATURE. IT IS DIFFICULT TO PREDICT HOW LONG DECKING PRODUCTS WILL LAST. THAT'S WHY ENVISION BUILDING PRODUCTS LLC PROVIDES A LIMITED WARRANTY FOR ENVISION PRODUCTS THAT INCLUDES A BINDING ARBITRATION CLAUSE AND OTHER TERMS AND CONDITIONS WHICH ARE INCORPORATED HEREIN BY REFERENCE. YOU MAY OBTAIN A COPY OF THE LIMITED WARRANTY AT ENVISIONDECKING.COM OR BY CALLING 1-800-253-1401.

Envision Building Products LLC provides a Limited Warranty for Envision Products installed in accordance with these written instructions. Distinction, Inspiration, Expression, and Ridge Premium are also provided with a Stain Resistance Limited Warranty. **Returns of or claims for decking product due to any condition that was clearly apparent prior to application/fastening of product will not be considered after decking has been cut, applied/fastened to deck structure, joist, etc. SEE ENVISION BUILDING PRODUCTS LLC's LIMITED WARRANTY FOR COMPLETE TERMS AND CONDITIONS.**

BUILDING CODE APPROVED

Envision Distinction, Inspiration, and Expression deck boards are ASTM D7032 compliant. See UL ER25876-01 for use as a walking surface on exterior decks, balconies, porches, walkways, and stairs and UL ER25876-02 for use as exterior cladding. Visit www.UL.com/erdirectory for details.

EverGrain and Ridge Classic deck boards are ASTM D 7032 compliant. See CCRR 0177 at <https://bpdirectory.Intertek.com> for uses and performance levels.

Envision Building Products LLC
Lamar, MO 64759
Customer Service: 800-253-1401



40000425

These application instructions were current at the time of printing. To obtain a copy of the most current version of the application instructions, visit us online at EnvisionDecking.com.