

Please read all instructions completely before starting any part of the installation.

AZEK Rail should be installed using the same good building principals used to install wood or composite railing and in accordance with the local building codes and the installation guidelines included below. AZEK Building Products Inc. claims no liability or responsibility for the improper installation of this product.

AZEK Rail may not be suitable for every application and it is the sole responsibility of the installer to be sure that AZEK Rail is fit for the intended use. Since all installations are unique, it is also the installers responsibility to determine specific requirements in regards to each Rail application.

AZEK Building Products recommends that all designs be reviewed by a licensed architect, engineer or local building official before installation. Should you have specific questions prior to installation, please call AZEK customer service at 877-ASK-AZEK (877-275-2935) or visit our website at www.azek.com.

AZEK Railing is tested as a whole system and should be used that way. It is not intended to be used in conjunction with other railing systems or fasteners.

The following Installation Guidelines are applicable for installation of AZEK Premier, AZEK Trademark, and AZEK Reserve Rail Systems (except AZEK Reserve over post applications).

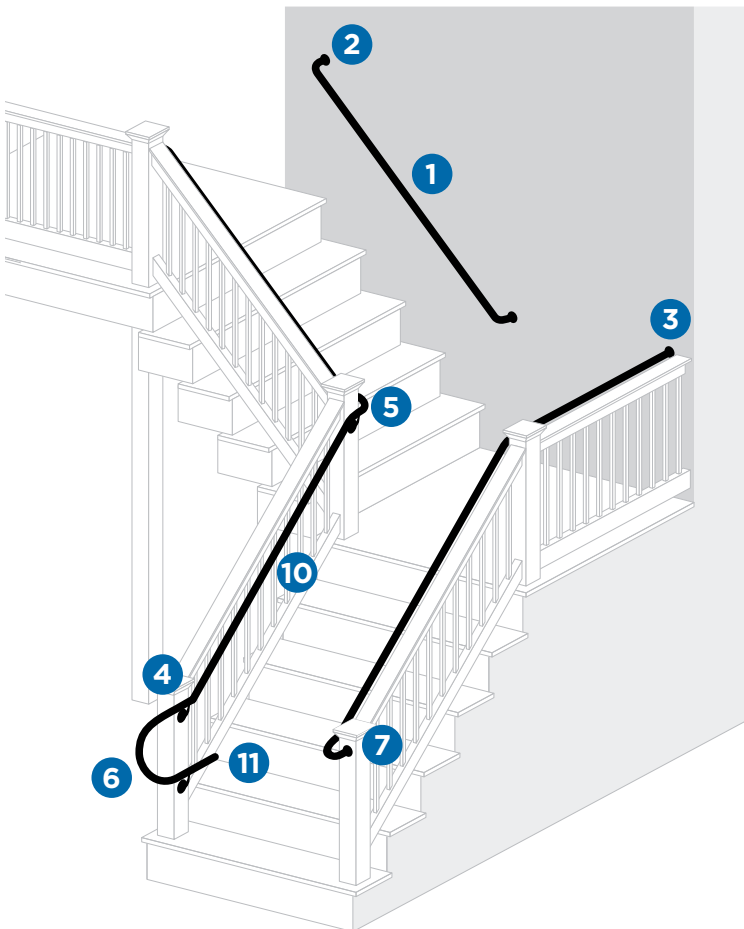
Safety: Always wear goggles when handling, cutting, drilling and fastening materials.

Note: Check local code requirements prior to installation.


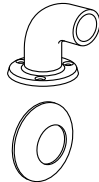
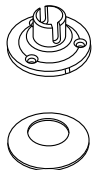
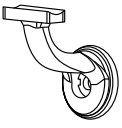

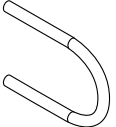
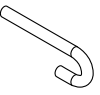

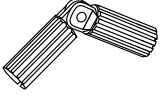


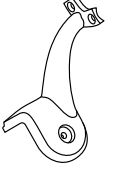
Secondary Handrail System

- Aluminum and PVC tube should always be cut at the same length.
- If using a power saw, a carbide tip blade of at least 60 teeth is recommended.
- Use an adhesive appropriate for bonding aluminum
- Bracket or return kit required every 72"

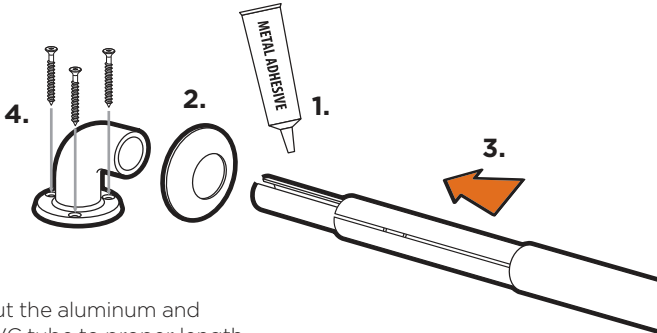
WARNING: Always wear safety goggles



Hand Rail Components

 1 104" Straight Rail 1.5" diameter (PVC with aluminum stiffener)	 2 Wall Return & Cover Plate (PVC with aluminum stiffener)	 3 Straight Wall Return (Cast aluminum)
 4 Hand Rail Bracket with screws and cap (Cast aluminum)	 5 90° Corner (PVC)	 6 End Loop (PVC with aluminum stiffener)
 7 Post Return (PVC with aluminum stiffener)	 8 Straight Joiner (Not visible)	 9 Adjustable Joiner (Not visible)
 10 Joint Ring (Plastic)	 11 Rail End Cap (Plastic)	 12 Angled Hand Rail Bracket (Cast aluminum)

90° Wall Return

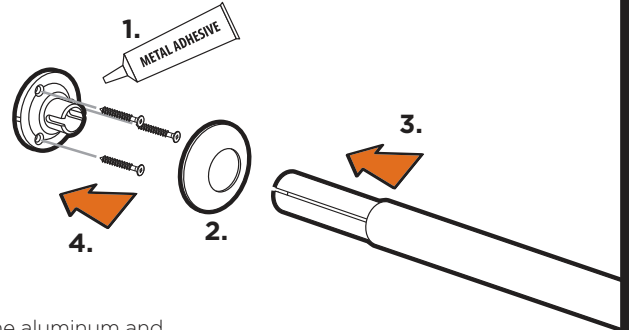


Cut the aluminum and PVC tube to proper length.

1. Apply adhesive to all metal contact surfaces.
2. Ensure flange cover is placed over PVC rail prior to assembly.
3. Slide joiner into wall return and aluminum rail support.
4. Attach mounting flange to desired surface. Snap flange cover into place. Screws provided are for attachment to AZEK post sleeve and are not meant for other surfaces.

Ensure adhesive cures per adhesive manufacturers instructions.

Straight Wall Return

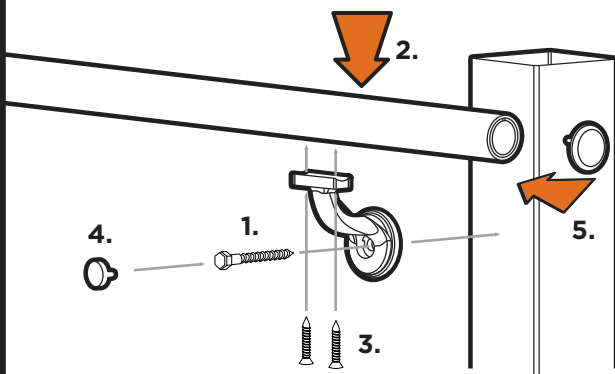


Cut the aluminum and PVC tube to proper length.

1. Apply adhesive to all metal contact surfaces.
2. Ensure flange cover is placed over PVC rail prior to assembly.
3. Insert straight wall return into aluminum rail support.
4. Attach mounting flange to desired surface. Snap flange cover into place. Screws provided are for attachment to AZEK post sleeve and are not meant for other surfaces.

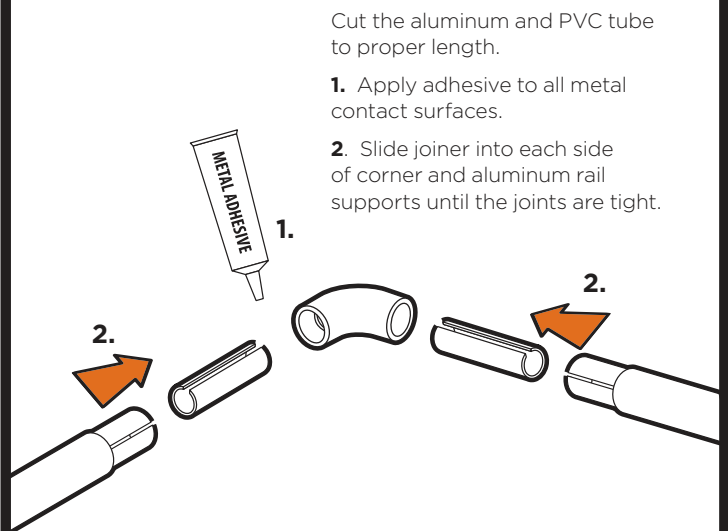
Ensure adhesive cures per adhesive manufacturers instructions.

Hand Rail Bracket



1. Attach bracket to mounting surface using a 3/8" lag bolt provided with Hand Rail Bracket.
2. Place rail at appropriate location on bracket.
3. Pre-drill two holes in rail with a 1/4" bit at appropriate location and attach with screws provided.
4. Snap bolt cover into place.
5. Using PVC adhesive, attach hand rail end cap (sold separately) to end of rail.

90° Corner

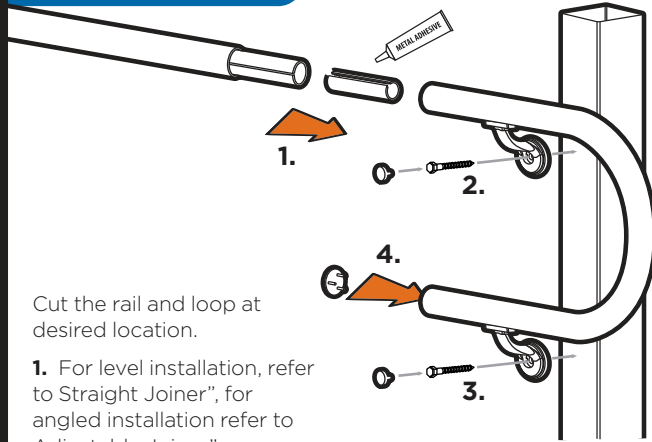


Cut the aluminum and PVC tube to proper length.

1. Apply adhesive to all metal contact surfaces.
2. Slide joiner into each side of corner and aluminum rail supports until the joints are tight.

Ensure adhesive cures per adhesive manufacturers instructions.

End Loop



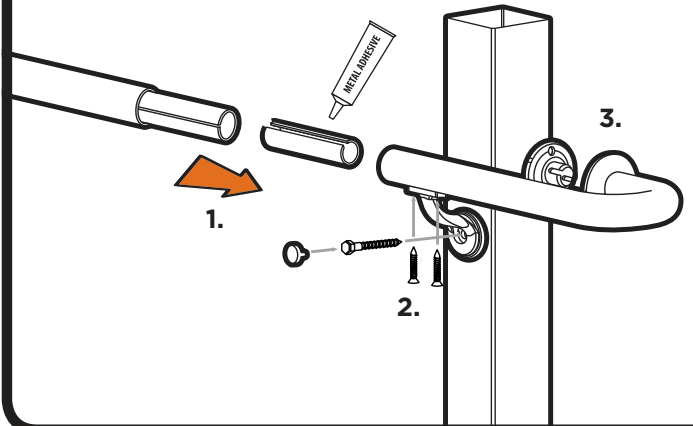
Cut the rail and loop at desired location.

1. For level installation, refer to Straight Joiner", for angled installation refer to Adjustable Joiner".
2. Install top bracket as described in Hand Rail Bracket".
3. Repeat for the bottom bracket.
4. Using PVC adhesive, attach hand rail end cap (sold separately) to unfinished end of loop.

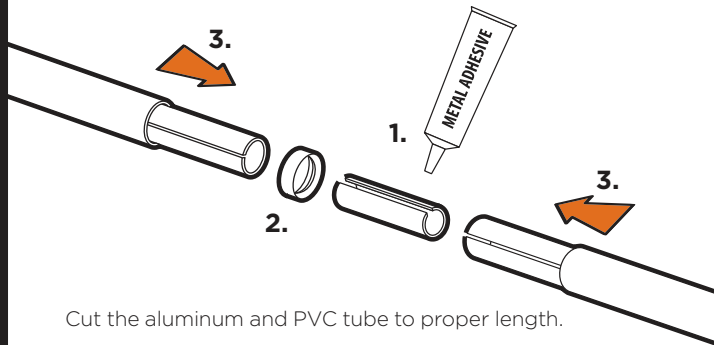
180° Post Return

Cut the rail and post returns at desired location.

1. For level installation, refer to Straight Joiner", for angled installation refer to Adjustable Joiner".
2. Install bracket as described in Hand Rail Bracket" instructions.
3. Refer to Straight Wall Return" to attach end of post return to post face.



Straight Joiner



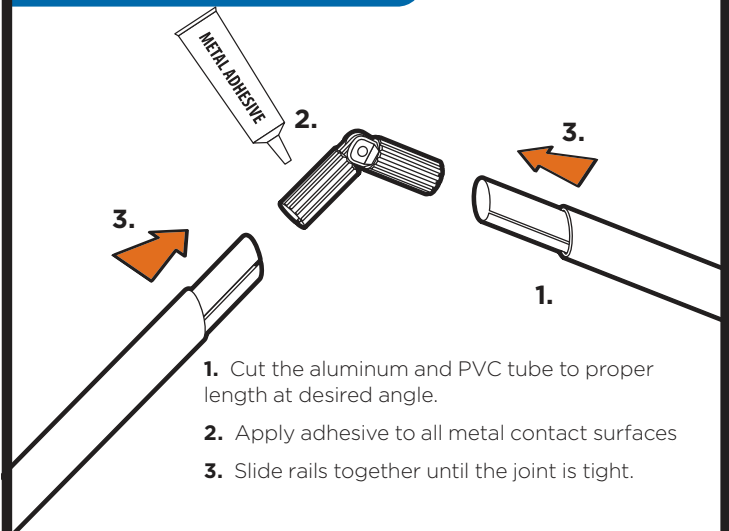
Cut the aluminum and PVC tube to proper length.

1. Apply adhesive to all metal contact surfaces.
2. Optional: Position joint ring between rail sections.
3. Slide joiner into both aluminum rail supports until the joint is tight.

A PVC adhesive may be used to ensure a tight seem on the exterior tube.

Ensure adhesive cures per adhesive manufacturers instructions.

Adjustable Joiner



1. Cut the aluminum and PVC tube to proper length at desired angle.
2. Apply adhesive to all metal contact surfaces
3. Slide rails together until the joint is tight.

A PVC adhesive may be used to ensure a tight seem on the exterior tube.

Ensure adhesive cures per adhesive manufacturers instructions.