

The Universal Gate Kit is a convenient way to add a premium gate to your railing system.  
**Consult your local building codes for gate requirements**

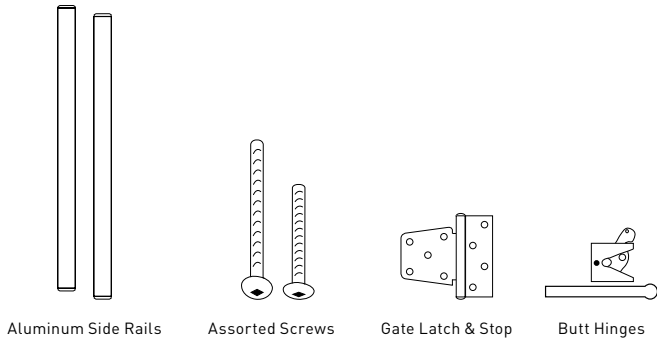


### Important Information

The Universal Gate Kit is designed to work with RadianceRail®, Premier®, and Trademark™ only.

- The maximum width of a gate built with a Gate Kit is 48".
- Gates should always swing away from the stairs when opening.
- Be sure to install on a post that is plumb; this is critical for the gate to operate properly.
- Installation is easiest with two people.
- Gate should be installed with Composite Balusters only.

### Component Dimensions



### Tools Required

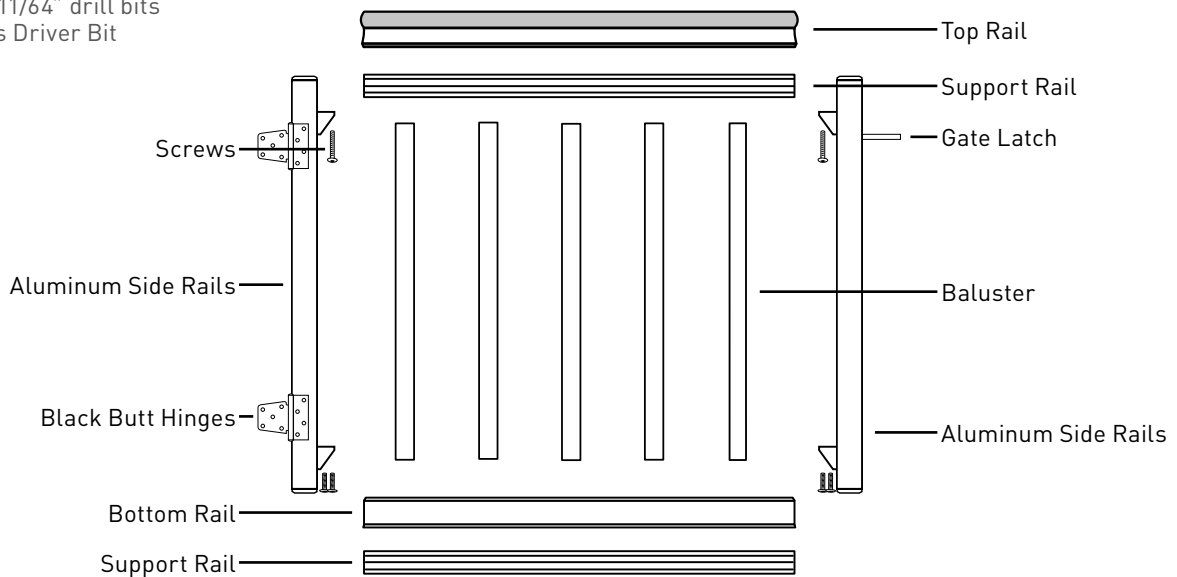
- Miter Saw (blade designed for finish cuts)
- Drill
- Level
- Tape Measure
- 7/64" and 11/64" drill bits
- #2 Phillips Driver Bit

### Tools Recommended

- Ratchet

### Components Needed For Installing One Gate with the Universal Gate Kit

<b>Rail Pack</b>	<b>Rail Pack</b> 1 - Top Rail 1 - Bottom Rail 2 - Support Rails T-20 Torx driver bit *Additional items are included, but are not needed
<b>Baluster Pack</b>	<b>Baluster Pack</b> Square Balusters 18 in 8' Kits Baluster Screw Kit <b>Baluster Screw Kit-8' Kits</b> 18 - #8x2" Coated Screws 18 - #8x3" Coated Screws
<b>RadianceRail Gate Kit</b>	2 - Aluminum Side Rails (Brackets Attached) 2 - 4" Black Butt Hinges 1 - Gate Latch and Stop 8 - 1/4" x 1" Self-Drilling Flat Head Screws (black) 10 - 1/4" x 2" Flat Head Screws (black) 2 - 3/16" x 3/4" Self-Drilling Screws (black) 4 - 1/4" x 1" Screws (frame color) 2 - 1/4" x 1-3/4" Screws (frame color)

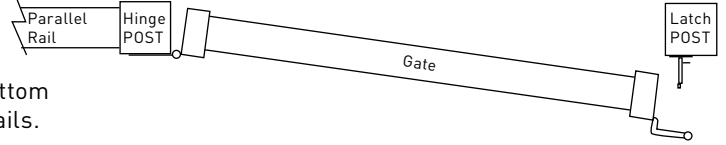




**Two cautions to be taken to prevent a sagging gate**

① When hinge post is not supported by a parallel rail, extra caution must be taken to sturdy the post to support the weight of the gate.

② When attaching the aluminum side rail to the top and bottom rails, be sure the rails are square and tight to the side rails. Any gap will cause the gate to sag.

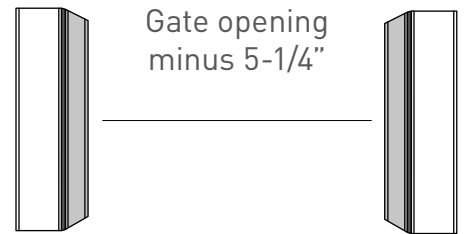


**Consult your local building codes for gate requirements**

**1**

**Prepare Railing**

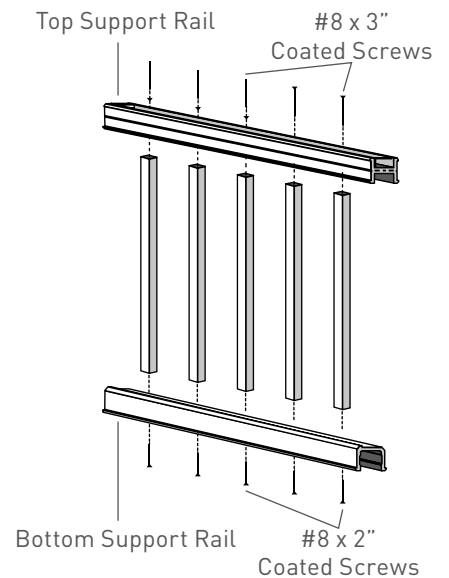
- Measure the distance between the posts near the top and bottom of the posts. As long as both posts are plumb, this should be the same distance.
- All rails should be cut 5-1/4" shorter than the opening for your gate.
- Cut the Top Rail and bottom Support Rail to length.
- Determine baluster layout on top Support Rail and Bottom Rail. To maximize the baluster spacing between the end balusters and the aluminum Side Rails, center the rail measurement on a pre-drilled hole or halfway between two pre-drilled holes. The space between the end balusters and the aluminum Side Rails should not exceed 4" or should not be less than 1-1/2". Cut top Support Rail and Bottom Rail to length.



**2**

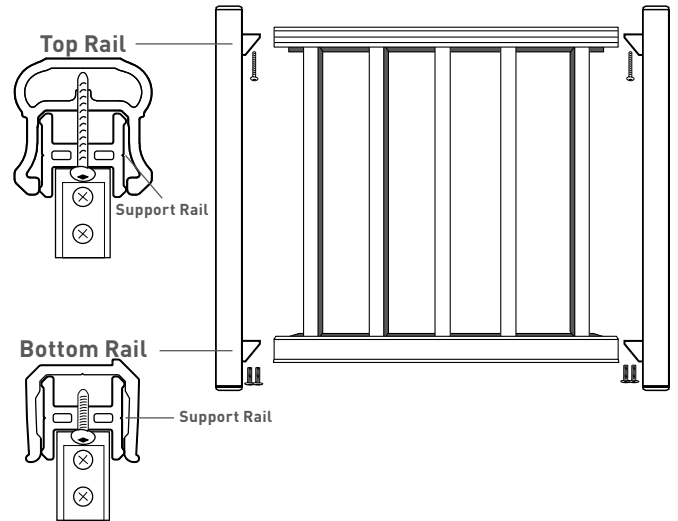
**Assemble Railing Panel**

- Position balusters along the top Support Rail, aligning them with the pre-drilled holes. Secure using #8 x 3" coated screws.
- Position Bottom Rail, using the lip to help align Balusters. Secure using #8 x 2" coated screws.
- Tip for Bottom Rail: partially drive screws into all balusters before driving them in completely.



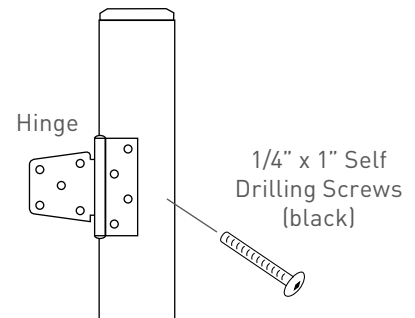
### 3 Attach Aluminum Side Rails

- On a flat surface, position the Side Rails on both sides of the assembled rail section. Place the bottom Support Rail over the lower brackets as shown.
- Using the brackets as a guide, mark and pre-drill two holes in the bottom Support Rail at each end using a 11/64" drill bit. Attach the bottom Support Rail to the lower brackets with four 1/4" x 1" screws.
- Place the Bottom Rail of the assembled rail section over the bottom support rail while lowering the top of the section onto the upper brackets.
- Place the Top Rail over the top Support Rail. Using the brackets as a guide, mark and pre-drill a hole through the top Support Rail and lower cross rib of the Top Rail with an 11/64" drill bit. Secure the Top Rail and assembled rail section to the upper brackets with two 1/4" x 1-3/4" screws.
- If access is restricted to this bracket because of the last baluster, use a ratchet to drive the screws.



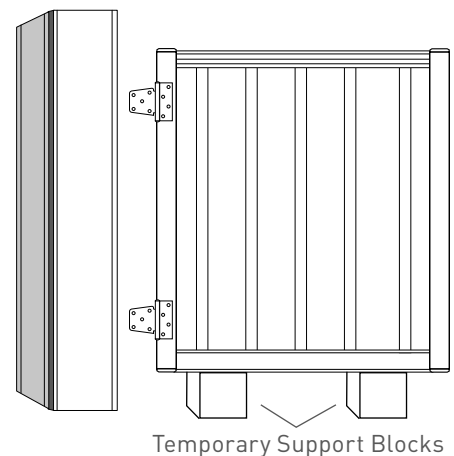
### 4 Attach Hinges to Aluminum Side Rails

- After test fitting the gate to the gate opening, determine the desired hinge location. Hinges can be placed either in the open position when the gate is closed or in the closed position when the gate is closed (typical for a door).
- Drill 7/64" pilot holes and use 1/4" x 1" self-drilling screws to attach hinges to the aluminum Side Rails.



### 5 Attach Gate to Post

- After positioning the gate to the desired height, pre-drill the Post Sleeve using a 7/64" drill bit. Attach the gate to the post using the 1/4" x 2" flat head screws, installing the screws closer to the center of the post first.
- Install Tip: Add temporary support blocking under the gate to help hold the gate at correct height.



## 6 Attach Latch and Latch Stop

- Position the gate latch on the Post Sleeve. Pre-drill the Post Sleeve with a 7/64" drill bit. Install the Latch with the Latch lever up, using the provided screws. Position the Latch Stop on the aluminum Side Rail. Drill a pilot hole in the Side Rail with a 7/64" drill bit. Attach the Latch Stop using the 3/16" x 3/4" self drilling screws.

