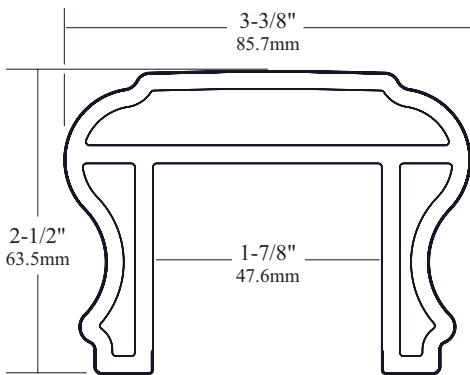
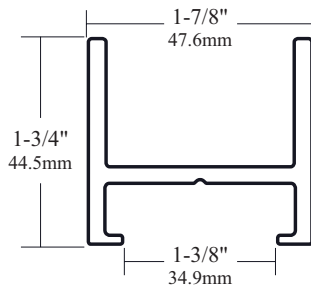


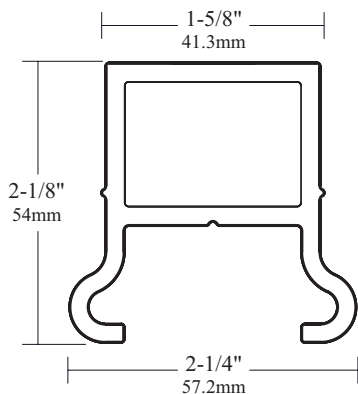
Top Rail Profile



Baluster Retainer



Bottom Rail Profile

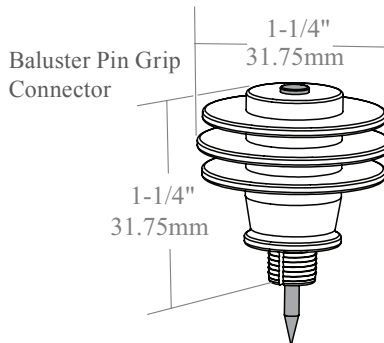


30" Balusters (36" Rail Height)

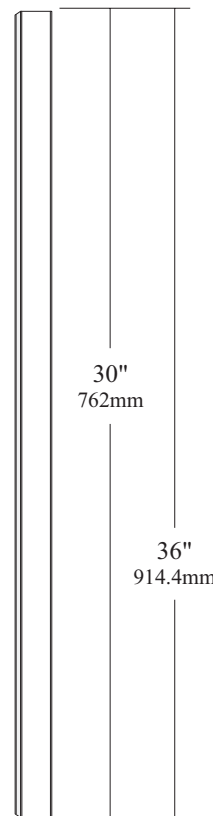
"A" - 34-1/8" 866.8mm
 "B" - 29-1/2" 749.3mm

36" Balusters (42" Rail Height)

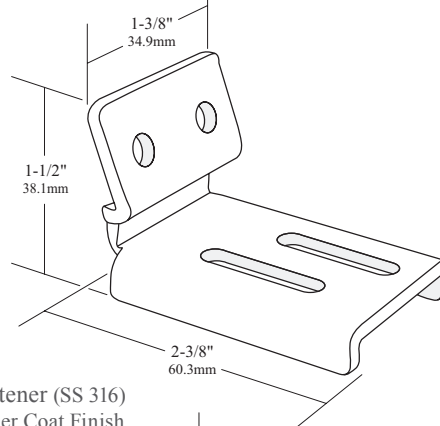
"A" - 40-1/8" 1019.2mm
 "B" - 35-1/2" 901.7mm



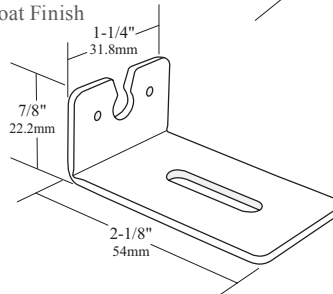
1-1/4" x 1-1/4" Composite Baluster



Top Rail Fastener (SS 316)
 .188" (3mm) Powder Coat Finish



Bottom Rail Fastener (SS 316)
 .188" (3mm) Powder Coat Finish



FAIRWAY RAILING™

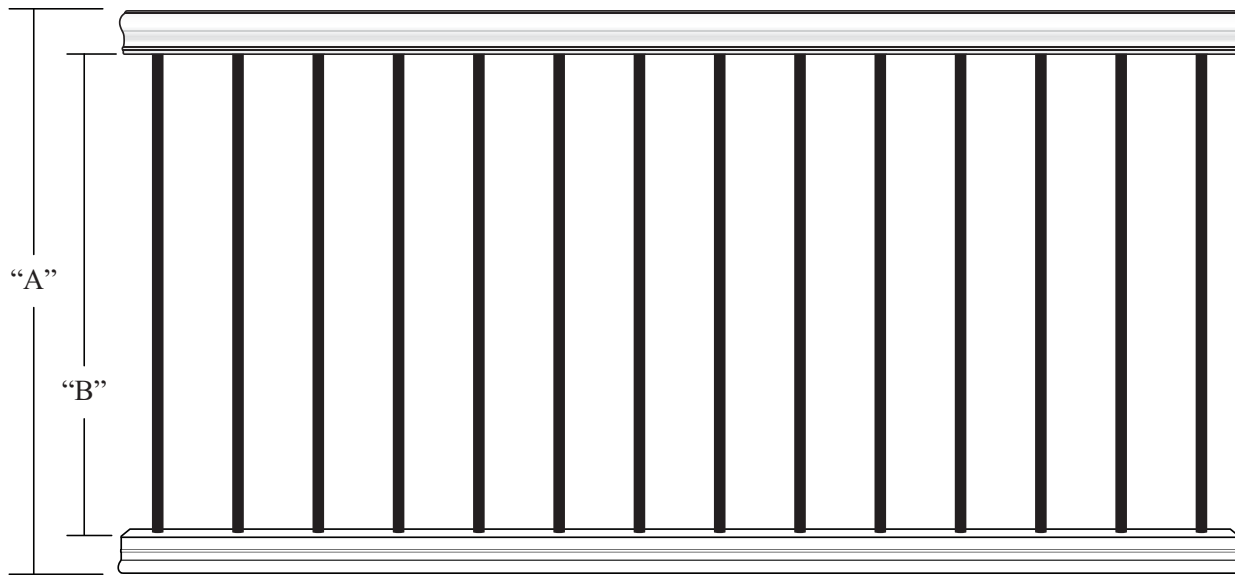


DOCUMENT TITLE: Composite Baluster Composite Railing Kit

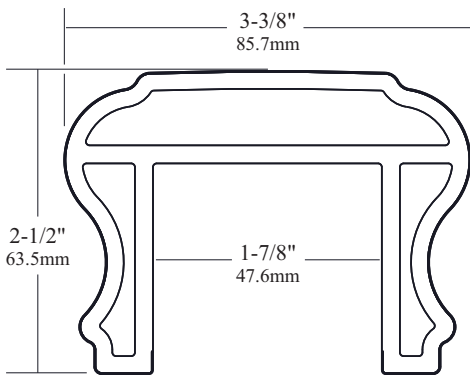
This drawing is the property of Fairway Vinyl Systems. Any hard copy of this drawing may not be current. This document and/or images contained within may not be reproduced in publication format without express written consent of Fairway Vinyl Systems. Drawings may not be to scale.

COMPOSITE RAILING		REV v1.1
UOM inch/mm	REF#	DATE
SCALE	SHEET# 1 of 1	DRAWN BY AJH
		DATE 2/28/13

Dimensions and tolerances contained on drawings and figures are for reference only and may not encompass total allowable and approved dimensional variations.



Top Rail Profile



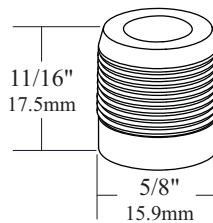
32" Balusters (36" Rail Height)

"A" - 36-1/8" 917.6mm
 "B" - 31-1/2" 800.1mm

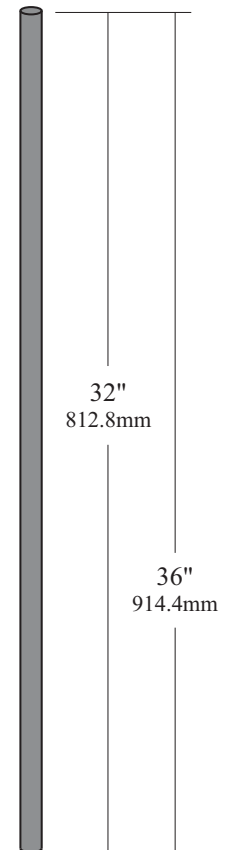
36" Balusters (42" Rail Height)

"A" - 40-1/8" 1019.2mm
 "B" - 35-1/2" 901.7mm

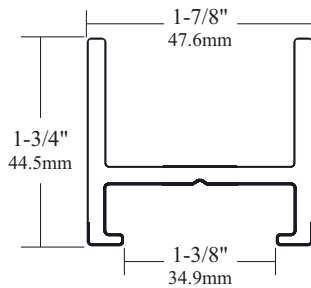
Aluminum Baluster Connector



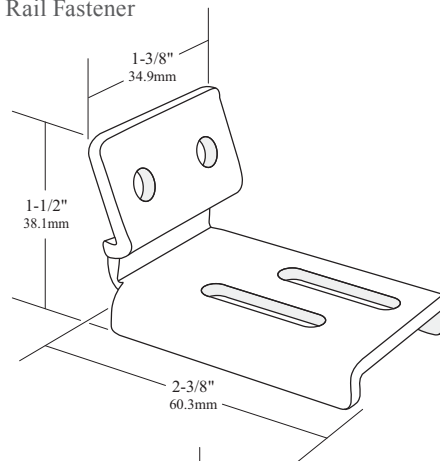
3/4" Aluminum Baluster



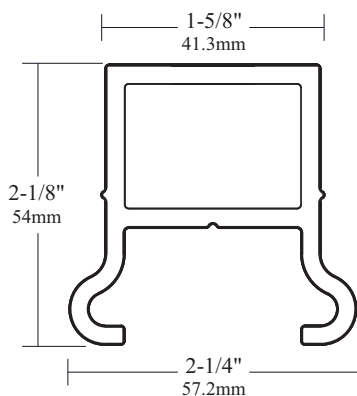
Baluster Retainer



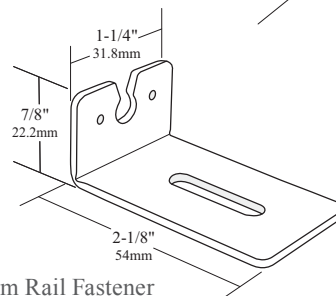
Top Rail Fastener



Bottom Rail Profile

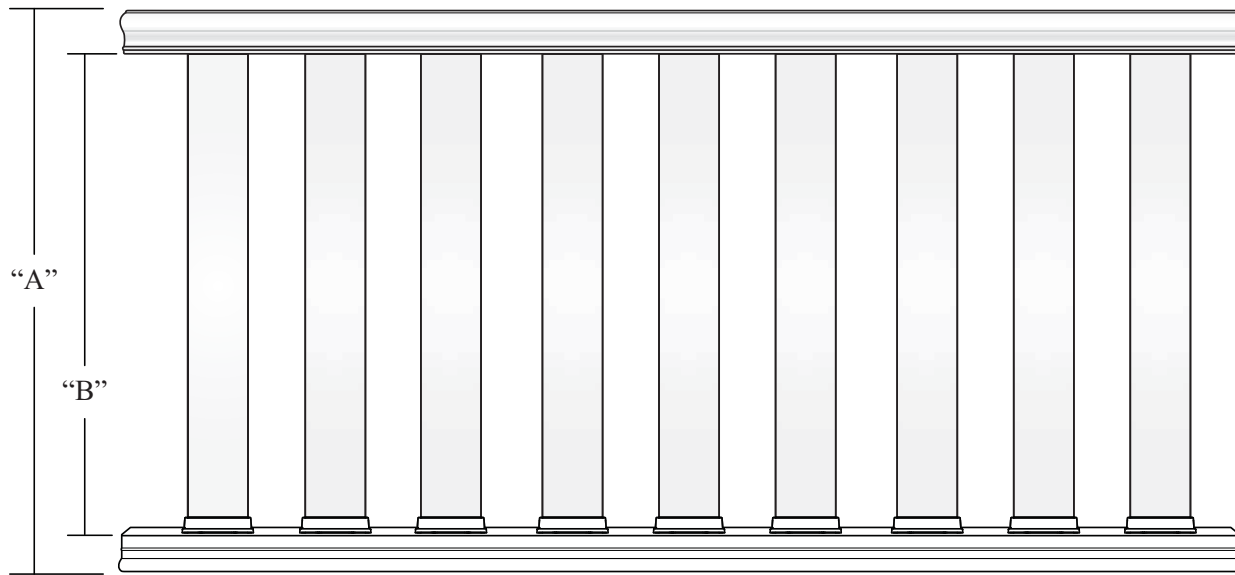


Bottom Rail Fastener

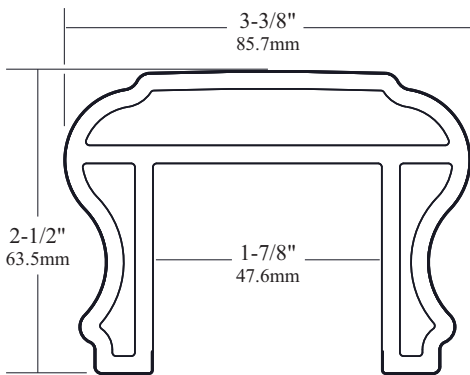


Dimensions and tolerances contained on drawings and figures are for reference only and may not encompass total allowable and approved dimensional variations.

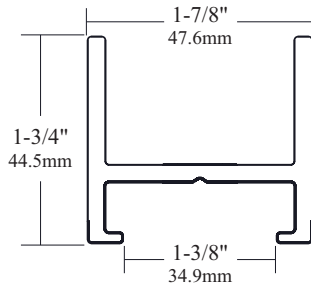
DOCUMENT TITLE:		Aluminum Baluster Composite Railing Kit			
This drawing is the property of Fairway Vinyl Systems. Any hard copy of this drawing may not be current. This document and/or images contained within may not be reproduced in publication format without express written consent of Fairway Vinyl Systems. Drawings may not be to scale.					
COMPOSITE RAILING		UOM	REF#	REV	v1.0
SCALE	SHEET#	1 of 1	DRAWN BY	DATE	1/21/10
			AJH		



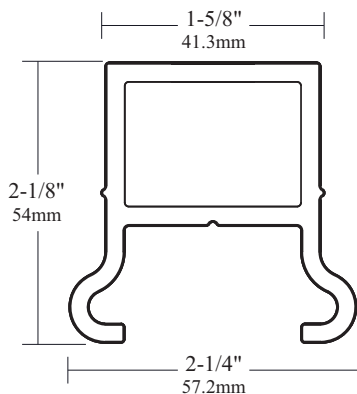
Top Rail Profile



Baluster Retainer



Bottom Rail Profile



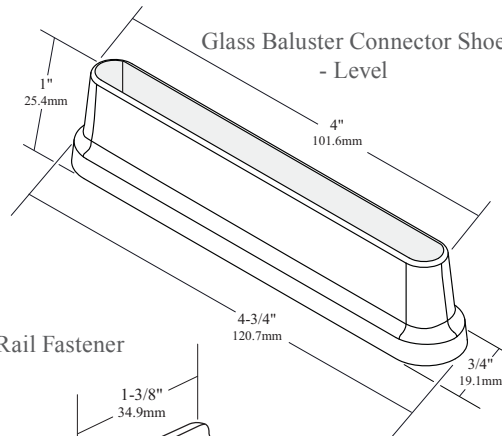
32" Balusters (36" Rail Height)

"A" - 36-7/8" 936.6mm
 "B" - 32-1/4" 819.2mm

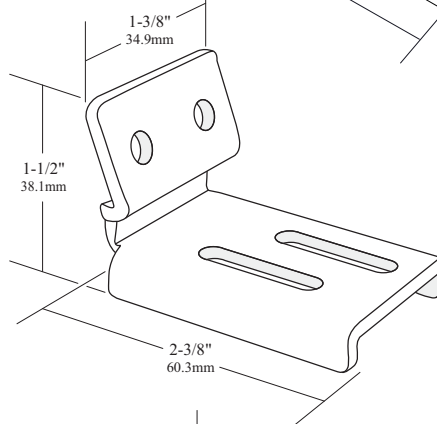
36" Balusters (42" Rail Height)

"A" - 42-7/8" 1089mm
 "B" - 37-1/2" 952.5mm

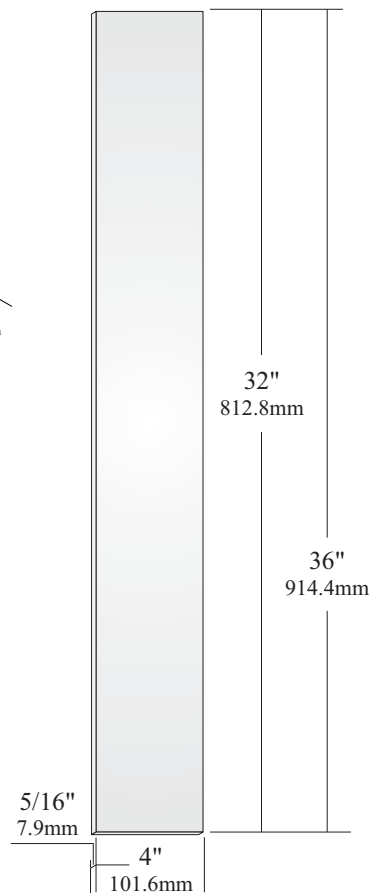
Glass Baluster Connector Shoe - Level



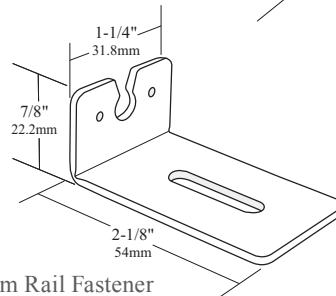
Top Rail Fastener



Glass Baluster



Bottom Rail Fastener



FAIRWAY RAILING™

by **Envision**
CONSTRUCTION SYSTEMS

DOCUMENT TITLE:		Glass Baluster Composite Railing Kit			
<small>This drawing is the property of Fairway Vinyl Systems. Any hard copy of this drawing may not be current. This document and/or images contained within may not be reproduced in publication format without express written consent of Fairway Vinyl Systems. Drawings may not be to scale.</small>					
COMPOSITE RAILING		UOM	REF#	REV v1.0	
SCALE	SHEET#	1 of 1	DRAWN BY	DATE	1/21/10

Dimensions and tolerances contained on drawings and figures are for reference only and may not encompass total allowable and approved dimensional variations.