

# 2024 PRODUCT GUIDE



NEXT GENERATION SIDING SYSTEM



## TABLE OF CONTENTS

### LAP SIDING

6" .....	4
8" .....	4
12" .....	4

### LAP SIDING WITH RIGIDSTACK™

6" .....	5
8" .....	5
12" .....	5

### VERTICAL SIDING

12" .....	6
16" .....	6
3" Batten Trim .....	6

### NO GROOVE PANEL

4x8 - 3/8" .....	7
4x9 - 3/8" .....	7
4x10 - 3/8" .....	7

### GROOVED PANEL

4x8 8" OC - 3/8" .....	8
4x9 8" OC - 3/8" .....	8
4x10 8" OC - 3/8" .....	8
4x8 8" OC - 7/16" .....	9
4x9 8" OC - 7/16" .....	9
4x10 8" OC - 7/16" .....	9
4x8 4" OC - 7/16" .....	10
4x9 4" OC - 7/16" .....	10

### SHAKE SIDING

12" Scallop Shake .....	11
12" Octagon Shake .....	11

### SHAKE SIDING WITH RIGIDSTACK™

7" Staggered .....	12
9" Staggered .....	12
12" Staggered .....	12
7" Straight .....	13
9" Straight .....	13
12" Straight .....	13

### RABBETED NAIL FIN CORNERS

5/4 x 4" Outside Corner - 10' .....	14
5/4 x 4" Outside Corner - 16' .....	14
5/4 X 3" Inside Corner - 10' .....	15

### NAIL FIN CORNERS

5/4 x 4" Outside Corner - 10' .....	16
5/4 x 4" Outside Corner - 16' .....	16
5/4 x 6" Outside Corner - 10' .....	17
5/4 x 6" Outside Corner - 16' .....	17

## INDIVIDUAL METAL OUTSIDE CORNERS

6" Horizontal.....	18
8" Horizontal.....	18
12" Horizontal.....	18
7" Vertical.....	19
9" Vertical.....	19
12" Vertical.....	19

## RABBETED NAIL FIN TRIM

5/4 x 4".....	20
5/4 x 6".....	20
Miter L-Bracket.....	21
Trim Clip.....	21

## STANDARD TRIM

5/4 x 2".....	22
5/4 x 3".....	22
5/4 x 4".....	22
5/4 x 6".....	23
5/4 x 8".....	23
5/4 x 10".....	23
5/4 x 12".....	24
4/4 x 2".....	24
4/4 x 3".....	24
4/4 x 4".....	25
4/4 x 6".....	25
4/4 x 8".....	25
4/4 x 10".....	26
4/4 x 12".....	26

## ARCH TRIM

4".....	27
6".....	27

## KEYSTONES

4".....	28
6".....	28

## PRO-POST WRAP™

4" x 4".....	29
4" x 6".....	29
6" x 6".....	29

## SOFFIT & FASCIA

8" Plowed Fascia.....	30
4x8 No Groove Soffit.....	30
10' Soffit Channel.....	30
12" Vented Soffit.....	31
16" Vented Soffit.....	31
24" Vented Soffit.....	31
12" Solid Soffit.....	32
16" Solid Soffit.....	32
24" Solid Soffit.....	32

## FLASHINGS

Diverter.....	33
Drip Cap.....	33
Spacer.....	33
Brick Ledge.....	34
Z-Flashing.....	34
J-Channel.....	35
Trim Coil.....	35

## H-MOLDING

5".....	36
7".....	36
11".....	36

## RIGIDMOUNT™ BLOCKS

Universal.....	37
Blank Universal.....	37
UL Electrical.....	38
Receptacle.....	38
Oversized.....	39
Split.....	39
Personalized.....	40
Blank Horizontal.....	40

## STARTER OPTIONS

Metal Starter Strip.....	41
8" Solid Starter Board.....	41
8" DuoBlend Starter Board.....	41

## FASTENERS

1-3/4" Ring Shank Hand Drive Nails.....	42
2-1/2" Painted Nails.....	42
Cortex Screw & Plugs.....	43
2-1/2" 15° Plastic Coil Nail.....	43

## ADDITIONAL PRODUCTS

Moisture Management System.....	44
Touch-Up.....	44
Color Availability.....	45

**6" LAP SIDING - 3/8"**

Function: Textured Lap Siding

Part Description: 3/8"x6" Precision Series Lap

**ACTUAL DIMENSIONS**

Exposure: 4.875"  
 Overlap: 1"  
 Pieces per square: 15.38  
 Length: 16'  
 Width: 5.84"  
 Height: N/A  
 Min. Thickness: 0.315"

**COLOR AVAILABILITY**

Solid and Custom

**CONSTRUCTION**

Substrate: Strand  
 LP® SmartSide®  
 Finish: Diamond Kote®  
 Other: N/A

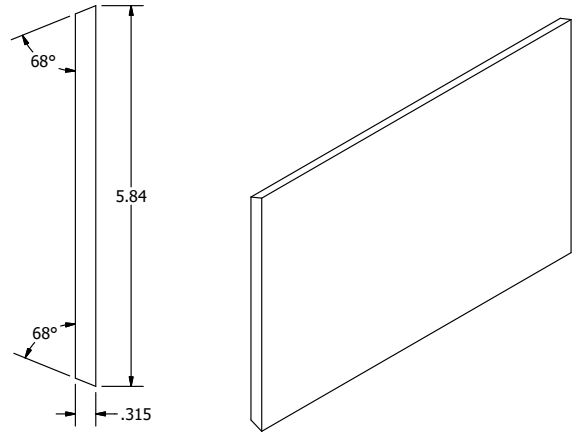
**WEIGHT**

Per Piece: 11.31 lbs.  
 Per Pack: 45.24 lbs.  
 Per Pallet: 1900 lbs.

**PACKAGING**

Per Pack: 4  
 Per Pallet: 168

*DRAWINGS SHOW ACTUAL DIMENSIONS*



**8" LAP SIDING - 3/8"**

Function: Textured Lap Siding

Part Description: 3/8"x8" Precision Series Lap

**ACTUAL DIMENSIONS**

Exposure: 6.875"  
 Overlap: 1"  
 Pieces per square: 10.90  
 Length: 16'  
 Width: 7.84"  
 Height: N/A  
 Min. Thickness: 0.315"

**COLOR AVAILABILITY**

Solid and Custom

**CONSTRUCTION**

Substrate: Strand  
 LP® SmartSide®  
 Finish: Diamond Kote®  
 Other: N/A

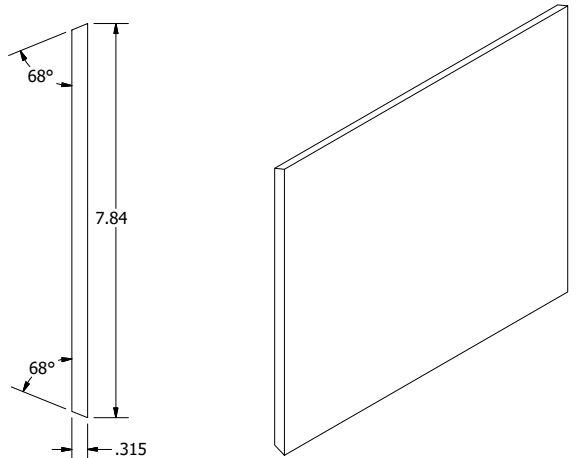
**WEIGHT**

Per Piece: 14.21 lbs.  
 Per Pack: 56.84 lbs.  
 Per Pallet: 1989 lbs.

**PACKAGING**

Per Pack: 4  
 Per Pallet: 140

*DRAWINGS SHOW ACTUAL DIMENSIONS*



**12" LAP SIDING - 3/8"**

Function: Textured Lap Siding

Part Description: 3/8"x12" Precision Series Lap

**ACTUAL DIMENSIONS**

Exposure: 10.875"  
 Overlap: 1"  
 Pieces per square: 6.89  
 Length: 16'  
 Width: 11.84"  
 Height: N/A  
 Min. Thickness: 0.315"

**COLOR AVAILABILITY**

Solid, DuoBlend Premium, and Custom

**CONSTRUCTION**

Substrate: Strand  
 LP® SmartSide®  
 Finish: Diamond Kote®  
 Other: N/A

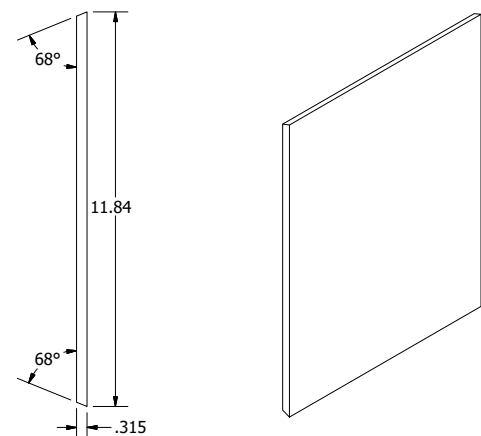
**WEIGHT**

Per Piece: 20.67 lbs.  
 Per Pack: 81.4 lbs.  
 Per Pallet: 1736 lbs.

**PACKAGING**

Per Pack: 4  
 Per Pallet: 84

*DRAWINGS SHOW ACTUAL DIMENSIONS*



## 6" LAP SIDING WITH RIGIDSTACK™

Function: Stackable Textured Lap Siding

Part Description: 3/8"x6" RigidStack

### ACTUAL DIMENSIONS

Exposure: 4.75"  
 Overlap: 1-1/8"  
 Pieces per square: 15.78  
 Length: 16'  
 Width: 5.84"  
 Height: N/A  
 Min. Thickness: 0.315"

### COLOR AVAILABILITY

Solid, DuoBlend Premium,  
 and Custom

### CONSTRUCTION

Substrate: Strand  
 LP® SmartSide®  
 Finish: Diamond Kote®  
 Other: Plastic

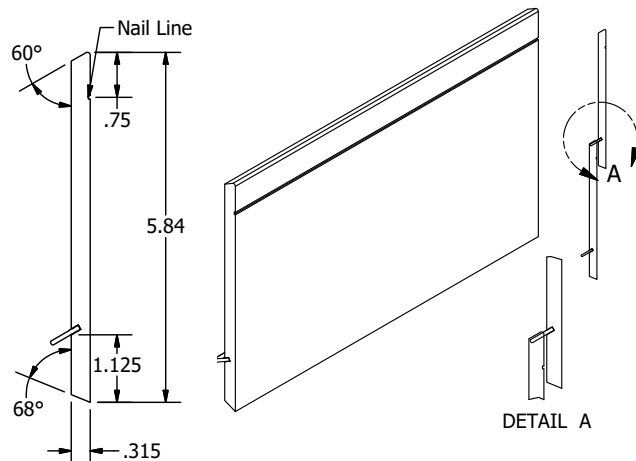
### WEIGHT

Per Piece: 11.49 lbs.  
 Per Pack: 45.96 lbs.  
 Per Pallet: 1930.32 lbs.

### PACKAGING

Per Pack: 4  
 Per Pallet: 168

DRAWINGS SHOW ACTUAL DIMENSIONS



## 8" LAP SIDING WITH RIGIDSTACK™

Function: Stackable Textured Lap Siding

Part Description: 3/8"x8" RigidStack

### ACTUAL DIMENSIONS

Exposure: 6.75"  
 Overlap: 1-1/8"  
 Pieces per square: 11.11  
 Length: 16'  
 Width: 7.84"  
 Height: N/A  
 Min. Thickness: 0.315"

### COLOR AVAILABILITY

Solid, DuoBlend Premium,  
 and Custom

### CONSTRUCTION

Substrate: Strand  
 LP® SmartSide®  
 Finish: Diamond Kote®  
 Other: Plastic

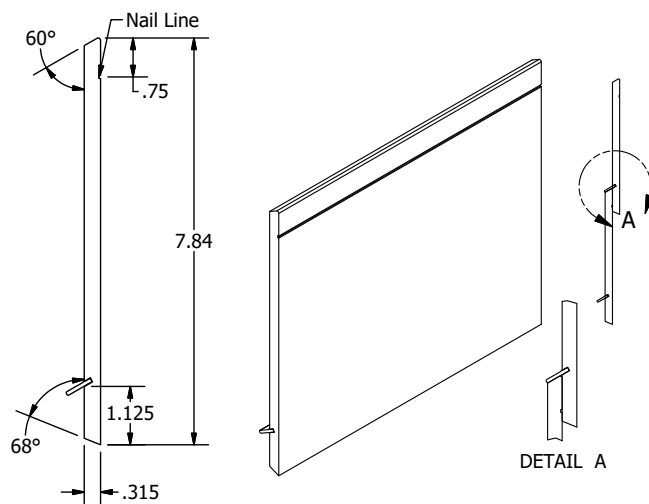
### WEIGHT

Per Piece: 15.43 lbs.  
 Per Pack: 61.72 lbs.  
 Per Pallet: 2160.2 lbs.

### PACKAGING

Per Pack: 4  
 Per Pallet: 140

DRAWINGS SHOW ACTUAL DIMENSIONS



## 12" LAP SIDING WITH RIGIDSTACK™

Function: Stackable Textured Lap Siding

Part Description: 3/8"x12" RigidStack

### ACTUAL DIMENSIONS

Exposure: 10.75"  
 Overlap: 1-1/8"  
 Pieces per square: 6.97  
 Length: 16'  
 Width: 11.84"  
 Height: N/A  
 Min. Thickness: 0.315"

### COLOR AVAILABILITY

Solid, DuoBlend Premium,  
 and Custom

### CONSTRUCTION

Substrate: Strand  
 LP® SmartSide®  
 Finish: Diamond Kote®  
 Other: Plastic

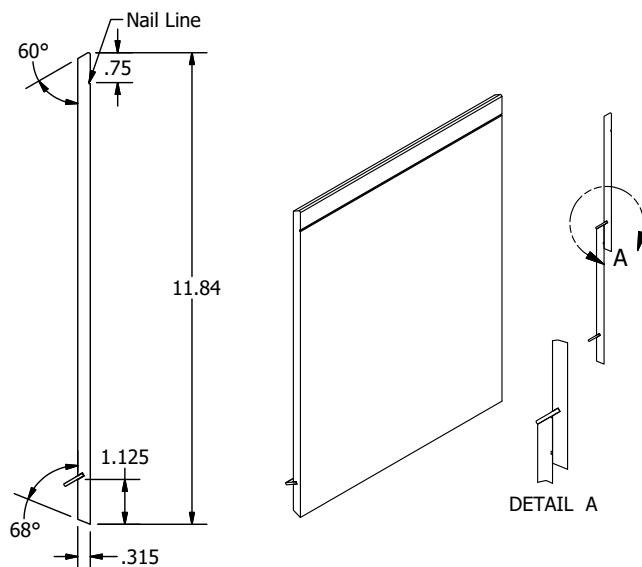
### WEIGHT

Per Piece: 20.67 lbs.  
 Per Pack: 82.68 lbs.  
 Per Pallet: 1736.28 lbs.

### PACKAGING

Per Pack: 4  
 Per Pallet: 84

DRAWINGS SHOW ACTUAL DIMENSIONS



**12" VERTICAL SIDING**

*DRAWINGS SHOW ACTUAL DIMENSIONS*

Function: Base panel for vertical Board & Batten  
 Part Description: 12"x16' 3/8" Vertical Panel

**ACTUAL DIMENSIONS**

Exposure: 9.34"  
 (Between Battens)  
 Overlap: 2.5" Minimum  
 (On Batten Trim)  
 Pieces per square: 6.32  
 Length: 16'  
 Width: 11.84"  
 Height: N/A  
 Min. Thickness: 0.315"

**CONSTRUCTION**

Substrate: Strand  
 LP® SmartSide®  
 Finish: Diamond Kote®  
 Other: N/A

**WEIGHT**

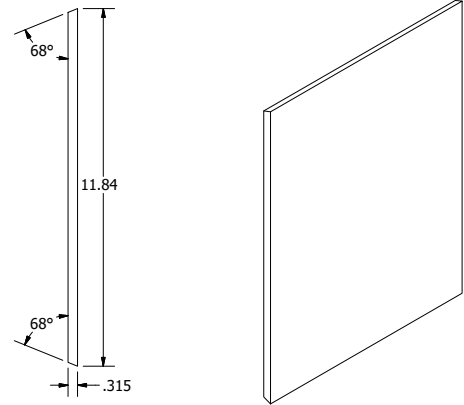
Per Piece: 20.67 lbs.  
 Per Pack: 81.4 lbs.  
 Per Pallet: 1736 lbs.

**COLOR AVAILABILITY**

Solid, DuoBlend Premium,  
 and Custom

**PACKAGING**

Per Pack: 1  
 Per Pallet: 4



**16" VERTICAL SIDING**

*DRAWINGS SHOW ACTUAL DIMENSIONS*

Function: Base panel for vertical Board & Batten  
 Part Description: 16"x16' 3/8" Vertical Panel

**ACTUAL DIMENSIONS**

Exposure: 13.25"  
 (Between Battens)  
 Overlap: 2.5" Minimum  
 (On Batten Trim)  
 Pieces per square: 4.68  
 Length: 16'  
 Width: 15.94"  
 Height: N/A  
 Min. Thickness: 0.315"

**CONSTRUCTION**

Substrate: Strand  
 LP® SmartSide®  
 Finish: Diamond Kote®  
 Other: N/A

**WEIGHT**

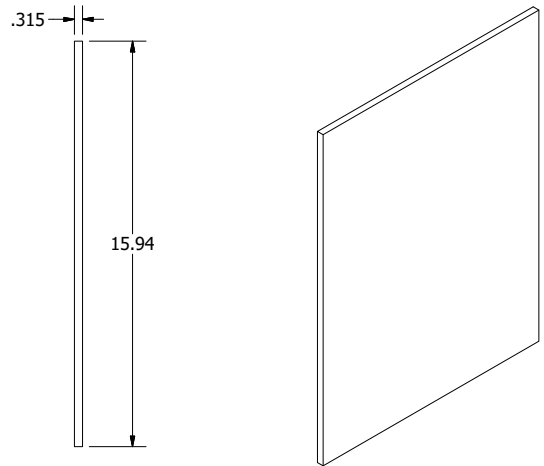
Per Piece: 27.72 lbs.  
 Per Pack: 27.72 lbs.  
 Per Pallet: 1830 lbs.

**COLOR AVAILABILITY**

Solid, DuoBlend Premium,  
 and Custom

**PACKAGING**

Per Pack: 1  
 Per Pallet: 66



**3" BATTEN TRIM**

*DRAWINGS SHOW ACTUAL DIMENSIONS*

Function: Textured trim board used for Board & Batten  
 Part Description: 19/32"x3"x16' Standard Trim Cedar

**ACTUAL DIMENSIONS**

Exposure: 2.5"  
 Overlap: N/A  
 Pieces per square: N/A  
 Length: 16'  
 Width: 2.5"  
 Height: N/A  
 Min. Thickness: 0.53"

**CONSTRUCTION**

Substrate: Strand  
 LP® SmartSide®  
 Finish: Diamond Kote®  
 Other: N/A

**WEIGHT**

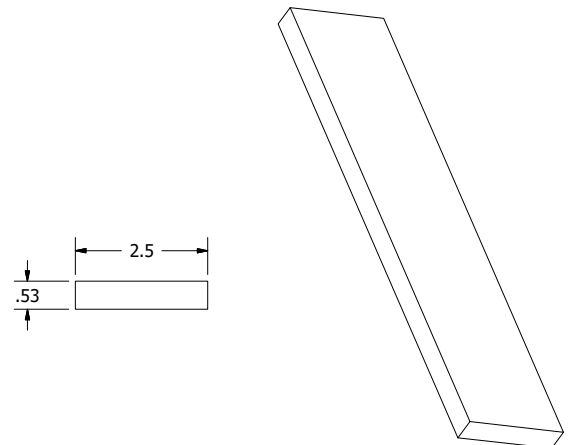
Per Piece: 6.29 lbs.  
 Per Pack: 25.19 lbs.  
 Per Pallet: 880.6 lbs.

**COLOR AVAILABILITY**

Solid, DuoBlend Premium,  
 and Custom

**PACKAGING**

Per Pack: 4  
 Per Pallet: 140



### 4X8 NO GROOVE PANEL - 3/8"

DRAWINGS SHOW ACTUAL DIMENSIONS

Function: Board & Batten Panel; Exterior Siding  
 Part Description: 4'x8' 3/8" NGSL Cedar Panel

**ACTUAL DIMENSIONS**

Exposure: 48"  
 Overlap: 0.563"  
 Pieces per square: 3.125  
 Length: 96"  
 Width: 48.563"  
 Height: N/A  
 Min. Thickness: 0.315"

**CONSTRUCTION**

Substrate: Strand  
 LP® SmartSide®  
 Finish: Diamond Kote®  
 Other: N/A

**WEIGHT**

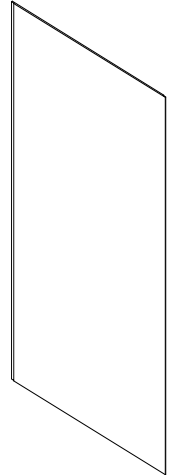
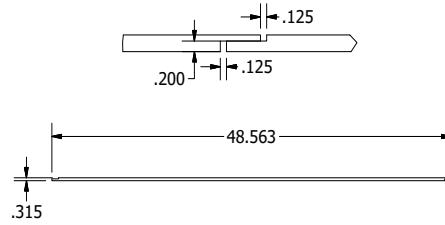
Per Piece: 43.68 lbs.  
 Per Pack: N/A  
 Per Pallet: 1966 lbs.

**COLOR AVAILABILITY**

Solid, DuoBlend Premium,  
 and Custom

**PACKAGING**

Per Pack: 1  
 Per Pallet: 45



### 4X9 NO GROOVE PANEL - 3/8"

DRAWINGS SHOW ACTUAL DIMENSIONS

Function: Board & Batten Panel; Exterior Siding  
 Part Description: 4'x9' 3/8" NGSL Cedar Panel

**ACTUAL DIMENSIONS**

Exposure: 48"  
 Overlap: 0.563"  
 Pieces per square: 2.77  
 Length: 108"  
 Width: 48.563"  
 Height: N/A  
 Min. Thickness: 0.315"

**CONSTRUCTION**

Substrate: Strand  
 LP® SmartSide®  
 Finish: Diamond Kote®  
 Other: N/A

**WEIGHT**

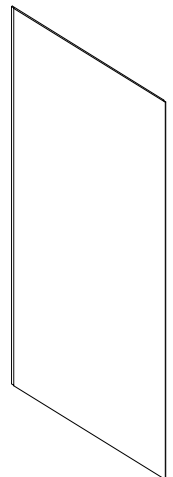
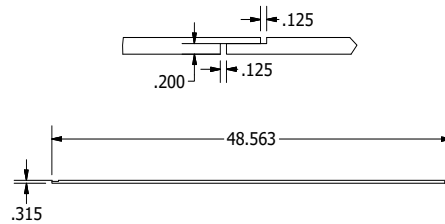
Per Piece: 46.71 lbs.  
 Per Pack: N/A  
 Per Pallet: 2102 lbs.

**COLOR AVAILABILITY**

Solid, DuoBlend Premium,  
 and Custom

**PACKAGING**

Per Pack: 1  
 Per Pallet: 45



### 4X10 NO GROOVE PANEL - 3/8"

DRAWINGS SHOW ACTUAL DIMENSIONS

Function: Board & Batten Panel; Exterior Siding  
 Part Description: 4'x10' 3/8" NGSL Cedar Panel

**ACTUAL DIMENSIONS**

Exposure: 48"  
 Overlap: 0.563"  
 Pieces per square: 2.5  
 Length: 120"  
 Width: 48.563"  
 Height: N/A  
 Min. Thickness: 0.315"

**CONSTRUCTION**

Substrate: Strand  
 LP® SmartSide®  
 Finish: Diamond Kote®  
 Other: N/A

**WEIGHT**

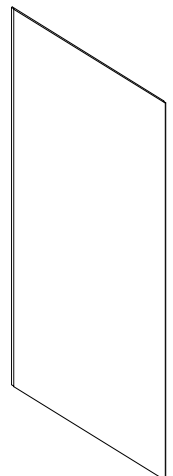
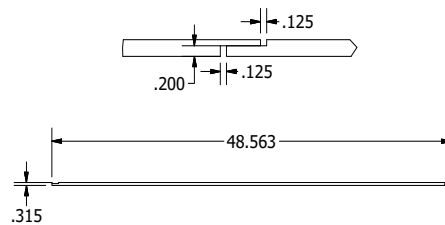
Per Piece: 51.28 lbs.  
 Per Pack: N/A  
 Per Pallet: 2308 lbs.

**COLOR AVAILABILITY**

Solid, DuoBlend Premium,  
 and Custom

**PACKAGING**

Per Pack: 1  
 Per Pallet: 45



# GROOVED PANEL

## 4X8 8" OC GROOVED PANEL - 3/8"

DRAWINGS SHOW ACTUAL DIMENSIONS

Function: Exterior Vertical Siding  
Part Description: 4'x8' 3/8" 8" OC Smart Pan Cedar

### ACTUAL DIMENSIONS

Exposure: 48"  
Overlap: 0.563"  
Pieces per square: 3.125  
Length: 96"  
Width: 48.563"  
Height: N/A  
Min. Thickness: 0.315"

### CONSTRUCTION

Substrate: Strand  
LP® SmartSide®  
Finish: Diamond Kote®  
Other: N/A

### WEIGHT

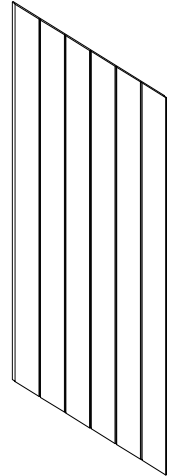
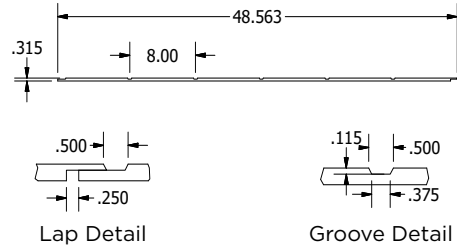
Per Piece: 40.78 lbs.  
Per Pack: N/A lbs.  
Per Pallet: 1835 lbs.

### PACKAGING

Per Pack: 1  
Per Pallet: 45

### COLOR AVAILABILITY

Solid, DuoBlend Premium,  
and Custom



## 4X9 8" OC GROOVED PANEL - 3/8"

DRAWINGS SHOW ACTUAL DIMENSIONS

Function: Exterior Vertical Siding  
Part Description: 4'x9' 3/8" 8" OC Smart Pan Cedar

### ACTUAL DIMENSIONS

Exposure: 48"  
Overlap: 0.563"  
Pieces per square: 2.77  
Length: 108"  
Width: 48.563"  
Height: N/A  
Min. Thickness: 0.315"

### CONSTRUCTION

Substrate: Strand  
LP® SmartSide®  
Finish: Diamond Kote®  
Other: N/A

### WEIGHT

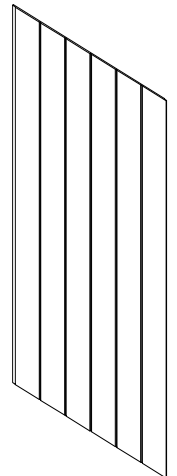
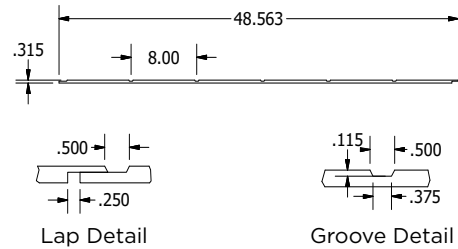
Per Piece: 44.22 lbs.  
Per Pack: N/A  
Per Pallet: 1990 lbs.

### PACKAGING

Per Pack: 1  
Per Pallet: 45

### COLOR AVAILABILITY

Solid, DuoBlend Premium,  
and Custom



## 4X10 8" OC GROOVED PANEL - 3/8"

DRAWINGS SHOW ACTUAL DIMENSIONS

Function: Exterior Vertical Siding  
Part Description: 4'x10' 3/8" 8" OC Smart Pan Cedar

### ACTUAL DIMENSIONS

Exposure: 48"  
Overlap: 0.563"  
Pieces per square: 2.5  
Length: 120"  
Width: 48.563"  
Height: N/A  
Min. Thickness: 0.315"

### CONSTRUCTION

Substrate: Strand  
LP® SmartSide®  
Finish: Diamond Kote®  
Other: N/A

### WEIGHT

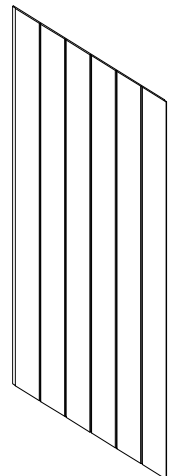
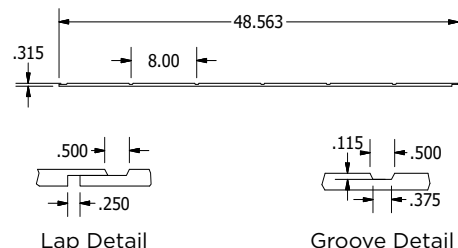
Per Piece: 51 lbs.  
Per Pack: N/A  
Per Pallet: 2295 lbs.

### PACKAGING

Per Pack: 1  
Per Pallet: 45

### COLOR AVAILABILITY

Solid, DuoBlend Premium,  
and Custom





### 4X8 8" OC GROOVED PANEL - 7/16"

DRAWINGS SHOW ACTUAL DIMENSIONS

Function: Exterior Vertical Siding  
 Part Description: 4'x8' 7/16" 8" OC Smart Pan Cedar

**ACTUAL DIMENSIONS**

Exposure: 48"  
 Overlap: 0.563"  
 Pieces per square: 3.125  
 Length: 96"  
 Width: 48.563"  
 Height: N/A  
 Min. Thickness: 0.375"

**CONSTRUCTION**

Substrate: Strand  
 LP® SmartSide®  
 Finish: Diamond Kote®  
 Other: N/A

**WEIGHT**

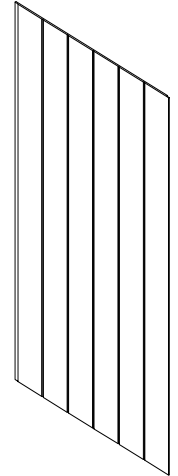
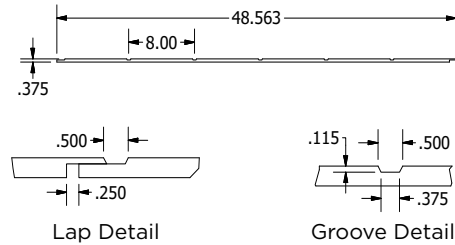
Per Piece: 45.38 lbs.  
 Per Pack: N/A  
 Per Pallet: 1815.2 lbs.

**COLOR AVAILABILITY**

Solid, DuoBlend Premium,  
 and Custom

**PACKAGING**

Per Pack: 1  
 Per Pallet: 40



### 4X9 8" OC GROOVED PANEL - 7/16"

DRAWINGS SHOW ACTUAL DIMENSIONS

Function: Exterior Vertical Siding  
 Part Description: 4'x9' 7/16" 8" OC Smart Pan Cedar

**ACTUAL DIMENSIONS**

Exposure: 48"  
 Overlap: 0.563"  
 Pieces per square: 2.77  
 Length: 108"  
 Width: 48.563"  
 Height: N/A  
 Min. Thickness: 0.375"

**CONSTRUCTION**

Substrate: Strand  
 LP® SmartSide®  
 Finish: Diamond Kote®  
 Other: N/A

**WEIGHT**

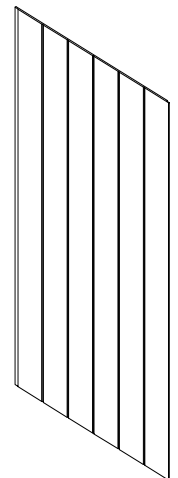
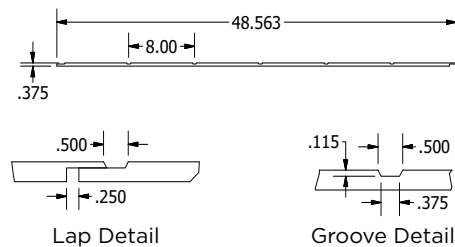
Per Piece: 51.13 lbs.  
 Per Pack: N/A  
 Per Pallet: 2045 lbs.

**COLOR AVAILABILITY**

Solid, DuoBlend Premium,  
 and Custom

**PACKAGING**

Per Pack: 1  
 Per Pallet: 40



### 4X10 8" OC GROOVED PANEL - 7/16"

DRAWINGS SHOW ACTUAL DIMENSIONS

Function: Exterior Vertical Siding  
 Part Description: 4'x10' 7/16" 8" OC Smart Pan Cedar

**ACTUAL DIMENSIONS**

Exposure: 48"  
 Overlap: 0.563"  
 Pieces per square: 2.5  
 Length: 120"  
 Width: 48.563"  
 Height: N/A  
 Min. Thickness: 0.375"

**CONSTRUCTION**

Substrate: Strand  
 LP® SmartSide®  
 Finish: Diamond Kote®  
 Other: N/A

**WEIGHT**

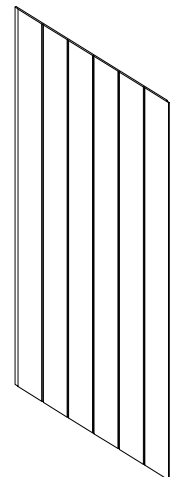
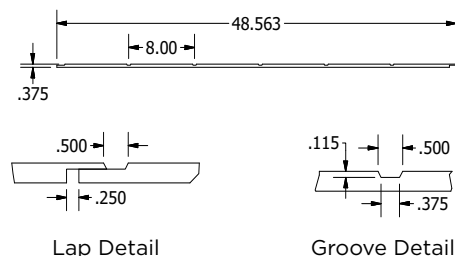
Per Piece: 56.93 lbs.  
 Per Pack: N/A  
 Per Pallet: 2277.2 lbs.

**COLOR AVAILABILITY**

Solid, DuoBlend Premium,  
 and Custom

**PACKAGING**

Per Pack: 1  
 Per Pallet: 40



# GROOVED PANEL

## 4X8 4" OC GROOVED PANEL - 7/16"

DRAWINGS SHOW ACTUAL DIMENSIONS

Function: Exterior Siding

Part Description: 4'x8' 7/16" 4" OC Smart Pan Cedar

### ACTUAL DIMENSIONS

Exposure: 48"

Overlap: 0.563"

Pieces per square: 3.125

Length: 96"

Width: 48.563"

Height: N/A

Min. Thickness: 0.375"

### COLOR AVAILABILITY

Solid, DuoBlend Premium, and Custom

### CONSTRUCTION

Substrate: Strand

LP® SmartSide®

Finish: Diamond Kote®

Other: N/A

### WEIGHT

Per Piece: 46.67 lbs.

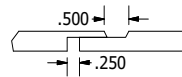
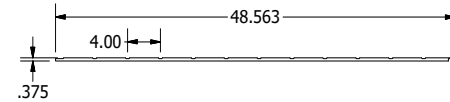
Per Pack: N/A

Per Pallet: 1867 lbs.

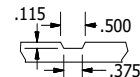
### PACKAGING

Per Pack: 1

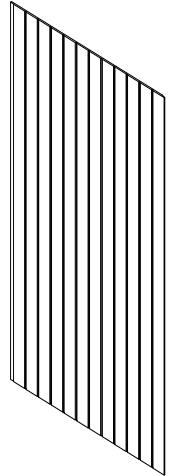
Per Pallet: 40



Lap Detail



Groove Detail



## 4X9 4" OC GROOVED PANEL - 7/16"

DRAWINGS SHOW ACTUAL DIMENSIONS

Function: Exterior Siding

Part Description: 4'x9' 7/16" 4" OC Smart Pan Cedar

### ACTUAL DIMENSIONS

Exposure: 48"

Overlap: 0.563"

Pieces per square: 2.77

Length: 108"

Width: 48.563"

Height: N/A

Min. Thickness: 0.375"

### COLOR AVAILABILITY

Solid, DuoBlend Premium, and Custom

### CONSTRUCTION

Substrate: Strand

LP® SmartSide®

Finish: Diamond Kote®

Other: N/A

### WEIGHT

Per Piece: 51.67 lbs.

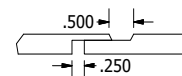
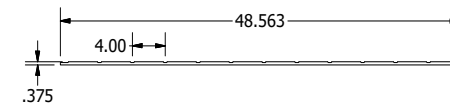
Per Pack: N/A

Per Pallet: 2067 lbs.

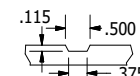
### PACKAGING

Per Pack: 1

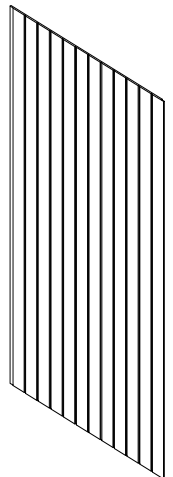
Per Pallet: 40



Lap Detail



Groove Detail



## 12" SCALLOP SHAKE

Function: Textured Shape Siding  
 Part Description: Scallop

### ACTUAL DIMENSIONS

Exposure: 7.75"  
 Overlap: 4"  
 Pieces per square: 39  
 Length: 48"  
 Width: 11.77"  
 Height: N/A  
 Min. Thickness: 0.315"

### COLOR AVAILABILITY

Solid, DuoBlend Premium,  
 and Custom

### CONSTRUCTION

Substrate: Strand  
 LP® SmartSide®  
 Finish: Diamond Kote®  
 Other: N/A

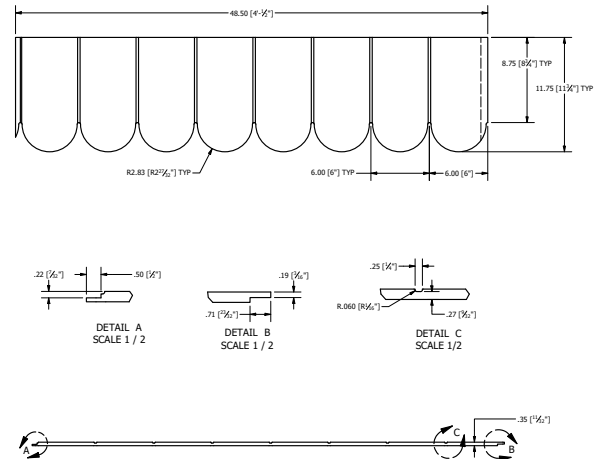
### WEIGHT

Per Piece: 4.6 lbs.  
 Per Pack: 21.8 lbs.  
 Per Pallet: 662 lbs.

### PACKAGING

Per Pack: 4  
 Per Pallet: 144

DRAWINGS SHOW ACTUAL DIMENSIONS



## 12" OCTAGON SHAKE

Function: Textured Shape Siding  
 Part Description: Octagon

### ACTUAL DIMENSIONS

Exposure: 9.645"  
 Overlap: 2.125"  
 Pieces per square: 31.16  
 Length: 48"  
 Width: 11.77"  
 Height: N/A  
 Min. Thickness: 0.315"

### COLOR AVAILABILITY

Solid, DuoBlend Premium,  
 and Custom

### CONSTRUCTION

Substrate: Strand  
 LP® SmartSide®  
 Finish: Diamond Kote®  
 Other: N/A

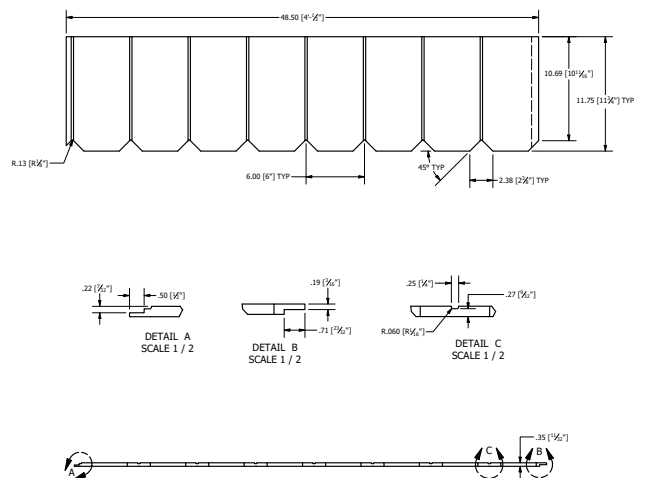
### WEIGHT

Per Piece: 4.8 lbs.  
 Per Pack: 22 lbs.  
 Per Pallet: 691 lbs.

### PACKAGING

Per Pack: 4  
 Per Pallet: 144

DRAWINGS SHOW ACTUAL DIMENSIONS



## 7" STAGGERED EDGE SHAKE WITH RIGIDSTACK™

DRAWINGS SHOW  
ACTUAL DIMENSIONS

Function: Stackable Textured Shake Siding  
Part Description: RS 7" Stag Shake Ced 7"x48"

### ACTUAL DIMENSIONS

Exposure: 4.91"  
Overlap: 2.125"  
Pieces per square: 61.53  
Length: 48.5"  
Width: 7"  
Height: N/A  
Min. Thickness: 0.315"

### COLOR AVAILABILITY

Solid, DuoBlend Premium,  
and Custom

### CONSTRUCTION

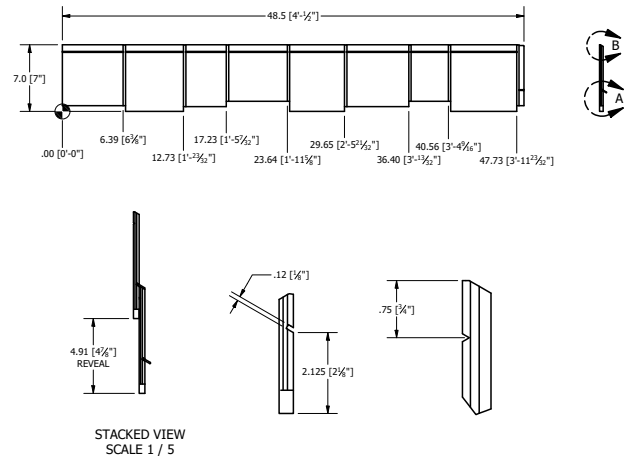
Substrate: Strand  
LP® SmartSide®  
Finish: Diamond Kote®  
Other: Plastic

### WEIGHT

Per Piece: 3.15 lbs.  
Per Pack: 12.6 lbs.  
Per Pallet: 756 lbs.

### PACKAGING

Per Pack: 4  
Per Pallet: 240



## 9" STAGGERED EDGE SHAKE WITH RIGIDSTACK™

DRAWINGS SHOW  
ACTUAL DIMENSIONS

Function: Stackable Textured Shake Siding  
Part Description: RS 9" Stag Shake Ced 9"x48"

### ACTUAL DIMENSIONS

Exposure: 6.91"  
Overlap: 2.125"  
Pieces per square: 43.63  
Length: 48.5"  
Width: 9"  
Height: N/A  
Min. Thickness: 0.315"

### COLOR AVAILABILITY

Solid, DuoBlend Premium,  
and Custom

### CONSTRUCTION

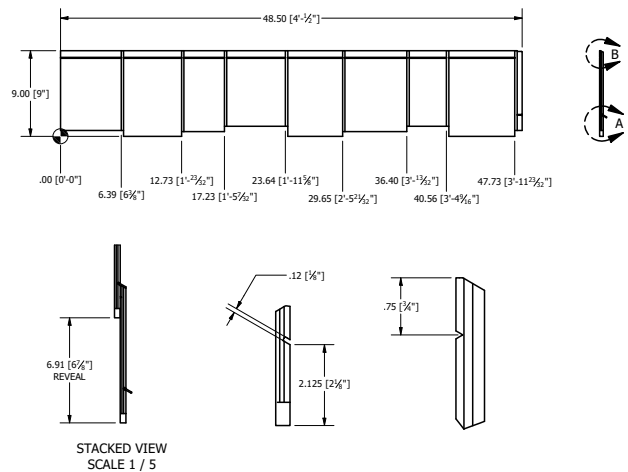
Substrate: Strand  
LP® SmartSide®  
Finish: Diamond Kote®  
Other: Plastic

### WEIGHT

Per Piece: 4 lbs.  
Per Pack: 16 lbs.  
Per Pallet: 768 lbs.

### PACKAGING

Per Pack: 4  
Per Pallet: 192



## 12" STAGGERED EDGE SHAKE WITH RIGIDSTACK™

DRAWINGS SHOW  
ACTUAL DIMENSIONS

Function: Stackable Textured Shake Siding  
Part Description: RS 12" Stag Shake Ced 12"x48"

### ACTUAL DIMENSIONS

Exposure: 9.68"  
Overlap: 2.125"  
Pieces per square: 31.16  
Length: 48.5"  
Width: 11.77"  
Height: N/A  
Min. Thickness: 0.315"

### COLOR AVAILABILITY

Solid, DuoBlend Premium,  
and Custom

### CONSTRUCTION

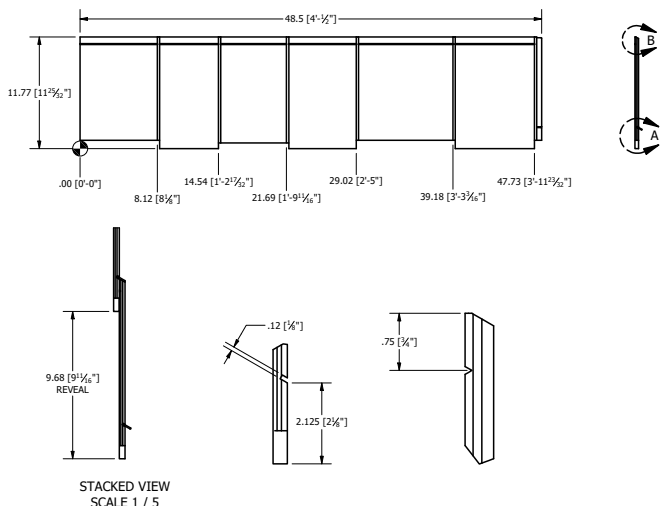
Substrate: Strand  
LP® SmartSide®  
Finish: Diamond Kote®  
Other: Plastic

### WEIGHT

Per Piece: 4.4 lbs.  
Per Pack: 21 lbs.  
Per Pallet: 634 lbs.

### PACKAGING

Per Pack: 4  
Per Pallet: 144



### 7" STRAIGHT EDGE SHAKE WITH RIGIDSTACK™

DRAWINGS SHOW ACTUAL DIMENSIONS

Function: Stackable Textured Shake Siding  
 Part Description: RS 7" Strt Shake Ced 7"x48"

**ACTUAL DIMENSIONS**

Exposure: 4.91"  
 Overlap: 2.125"  
 Pieces per square: 61.53  
 Length: 48.5"  
 Width: 7"  
 Height: N/A  
 Min. Thickness: 0.315"

**COLOR AVAILABILITY**

Solid, DuoBlend Premium, and Custom

**CONSTRUCTION**

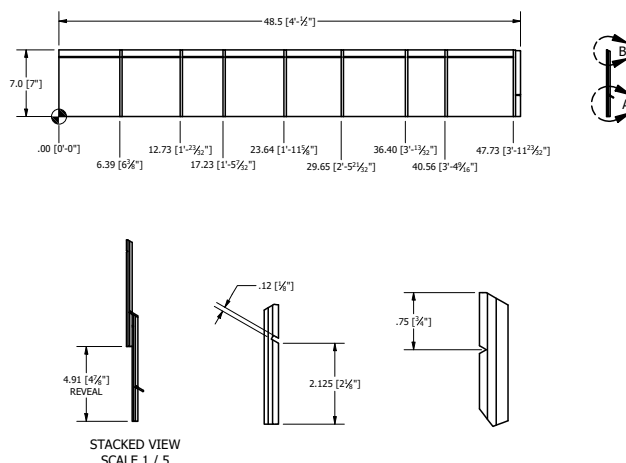
Substrate: Strand LP® SmartSide®  
 Finish: Diamond Kote®  
 Other: Plastic

**WEIGHT**

Per Piece: 3.52 lbs.  
 Per Pack: 14.08 lbs.  
 Per Pallet: 844.8 lbs.

**PACKAGING**

Per Pack: 4  
 Per Pallet: 240



### 9" STRAIGHT EDGE SHAKE WITH RIGIDSTACK™

DRAWINGS SHOW ACTUAL DIMENSIONS

Function: Stackable Textured Shake Siding  
 Part Description: RS 9" Strt Shake Ced 9"x48"

**ACTUAL DIMENSIONS**

Exposure: 6.91"  
 Overlap: 2.125"  
 Pieces per square: 43.63  
 Length: 48.5"  
 Width: 9"  
 Height: N/A  
 Min. Thickness: 0.315"

**COLOR AVAILABILITY**

Solid, DuoBlend Premium, and Custom

**CONSTRUCTION**

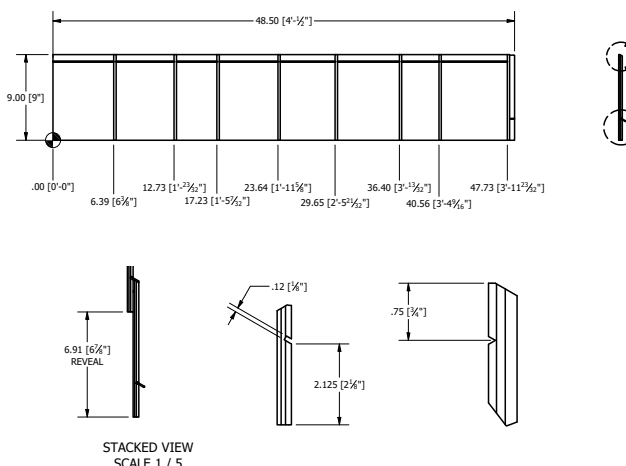
Substrate: Strand LP® SmartSide®  
 Finish: Diamond Kote®  
 Other: Plastic

**WEIGHT**

Per Piece: 4.51 lbs.  
 Per Pack: 18.04 lbs.  
 Per Pallet: 865.92 lbs.

**PACKAGING**

Per Pack: 4  
 Per Pallet: 192



### 12" STRAIGHT EDGE SHAKE WITH RIGIDSTACK™

DRAWINGS SHOW ACTUAL DIMENSIONS

Function: Stackable Textured Shake Siding  
 Part Description: RS 12" Strt Shake Ced 12"x48"

**ACTUAL DIMENSIONS**

Exposure: 9.68"  
 Overlap: 2.125"  
 Pieces per square: 31.16  
 Length: 48.5"  
 Width: 11.77"  
 Height: N/A  
 Min. Thickness: 0.315"

**COLOR AVAILABILITY**

Solid, DuoBlend Premium, and Custom

**CONSTRUCTION**

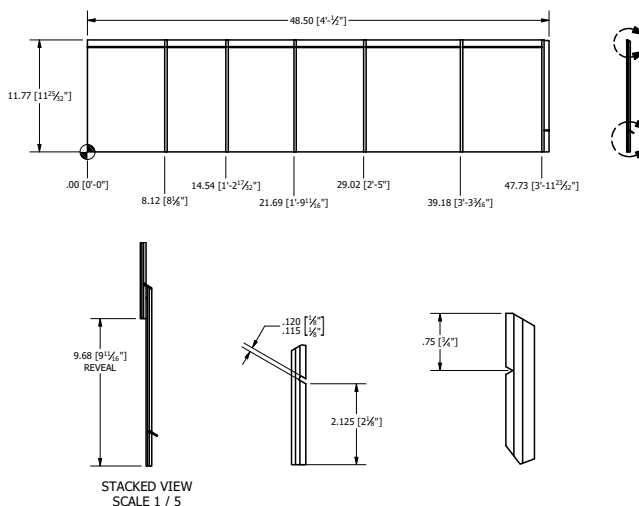
Substrate: Strand LP® SmartSide®  
 Finish: Diamond Kote®  
 Other: Plastic

**WEIGHT**

Per Piece: 4.8 lbs.  
 Per Pack: 22 lbs.  
 Per Pallet: 691 lbs.

**PACKAGING**

Per Pack: 4  
 Per Pallet: 144



## 5/4 X 4" RABBETED NAIL FIN OUTSIDE CORNER - 10'

Function: One piece outside corner designed to eliminate the use of caulk

Part Description: 5/4"x4"x10' RBT DK OSC w/Nail Fin

### ACTUAL DIMENSIONS

Exposure: 3.5"x3.54"  
 Overlap: N/A  
 Pieces per square: N/A  
 Length: 120"  
 Width: 3.5"  
 Height: N/A  
 Min. Thickness: 0.91"

### COLOR AVAILABILITY

Solid, DuoBlend Premium, and Custom

### CONSTRUCTION

Substrate: Strand  
 LP® SmartSide®  
 Finish: Diamond Kote®  
 Other: Plastic

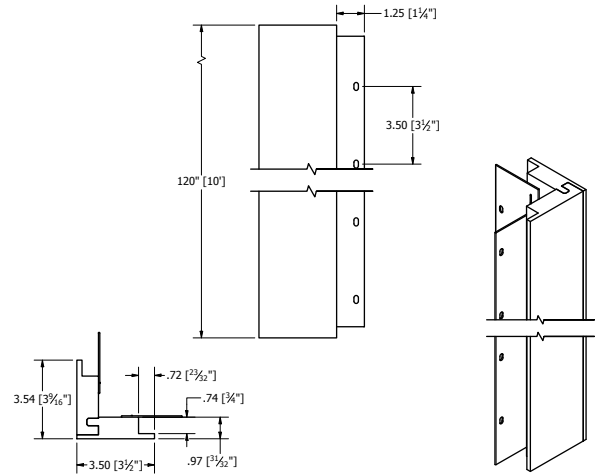
### WEIGHT

Per Piece: 19.67 lbs.  
 Per Pack: 19.67 lbs.  
 Per Pallet: 590.1 lbs.

### PACKAGING

Per Pack: 1  
 Per Pallet: 30

DRAWINGS SHOW ACTUAL DIMENSIONS



## 5/4 X 4" RABBETED NAIL FIN OUTSIDE CORNER - 16'

Function: One piece outside corner designed to eliminate the use of caulk

Part Description: 5/4"x4"x16' RBT DK OSC w/Nail Fin

### ACTUAL DIMENSIONS

Exposure: 3.5"x3.54"  
 Overlap: N/A  
 Pieces per square: N/A  
 Length: 192"  
 Width: 3.5"  
 Height: N/A  
 Min. Thickness: 0.91"

### COLOR AVAILABILITY

Solid, DuoBlend Premium, and Custom

### CONSTRUCTION

Substrate: Strand  
 LP® SmartSide®  
 Finish: Diamond Kote®  
 Other: Plastic

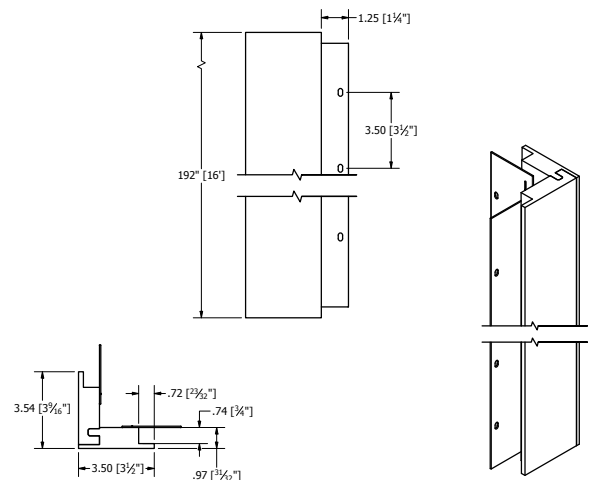
### WEIGHT

Per Piece: 31.47 lbs.  
 Per Pack: 31.47 lbs.  
 Per Pallet: 944.1 lbs.

### PACKAGING

Per Pack: 1  
 Per Pallet: 30

DRAWINGS SHOW ACTUAL DIMENSIONS



**5/4 X 3" RABBETED INSIDE CORNER - 10'** *DRAWINGS SHOW ACTUAL DIMENSIONS*

Function: One piece inside corner designed to eliminate the use of caulk  
 Part Description: 5/4"x3"x10' RBT ISC w/Nail Fin

**ACTUAL DIMENSIONS**

Exposure: 1.5"x1.5"  
 Overlap: N/A  
 Pieces per square: N/A  
 Length: 120"  
 Width: 2.41"  
 Height: N/A  
 Min. Thickness: 0.91"

**COLOR AVAILABILITY**

Solid, DuoBlend Premium,  
 and Custom

**CONSTRUCTION**

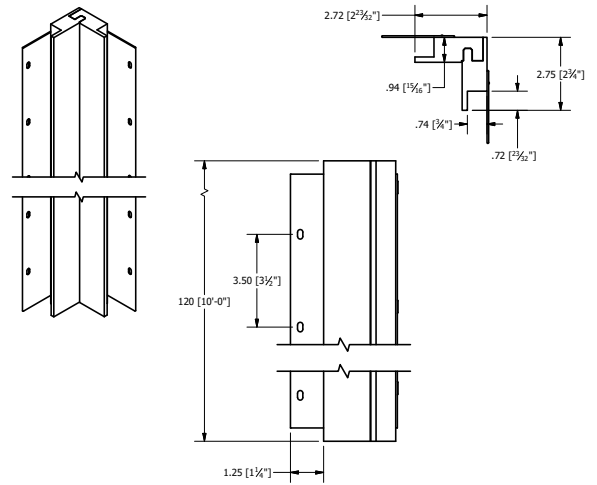
Substrate: Strand  
 LP® SmartSide®  
 Finish: Diamond Kote®  
 Other: Plastic

**WEIGHT**

Per Piece: 16 lbs.  
 Per Pack: 16 lbs.  
 Per Pallet: 400 lbs.

**PACKAGING**

Per Pack: 1  
 Per Pallet: 25



# NAIL FIN CORNERS

## 5/4 X 4" NAIL FIN OUTSIDE CORNER - 10'

DRAWINGS SHOW ACTUAL DIMENSIONS

Function: One piece design used to trim the outside corners

Part Description: 5/4"x4"x10' OSC LP Ced w/Nail Fin

### ACTUAL DIMENSIONS

Exposure: 3.5"  
Overlap: N/A  
Pieces per square: N/A  
Length: 120"  
Width: 3.5"  
Height: N/A  
Min. Thickness: 0.91"

### COLOR AVAILABILITY

Solid, DuoBlend Premium,  
and Custom

### CONSTRUCTION

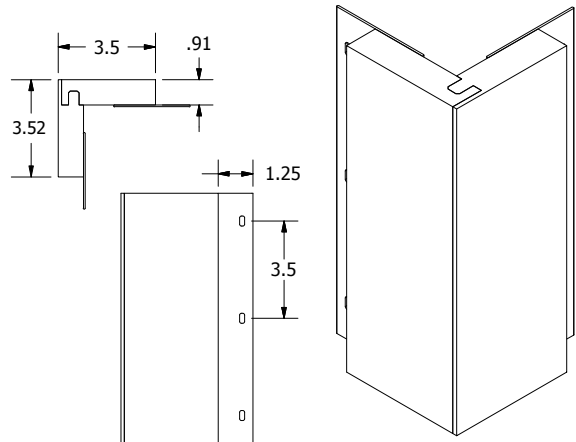
Substrate: Strand  
LP® SmartSide®  
Finish: Diamond Kote®  
Other: Plastic

### WEIGHT

Per Piece: 19.67 lbs.  
Per Pack: 19.67 lbs.  
Per Pallet: 590.1 lbs.

### PACKAGING

Per Pack: 1  
Per Pallet: 30



## 5/4 X 4" NAIL FIN OUTSIDE CORNER - 16'

DRAWINGS SHOW ACTUAL DIMENSIONS

Function: One piece design used to trim the outside corners

Part Description: 5/4"x4"x16' OSC LP Ced w/Nail Fin

### ACTUAL DIMENSIONS

Exposure: 3.5"  
Overlap: N/A  
Pieces per square: N/A  
Length: 192"  
Width: 3.5"  
Height: N/A  
Min. Thickness: 0.91"

### COLOR AVAILABILITY

Solid, DuoBlend Premium,  
and Custom

### CONSTRUCTION

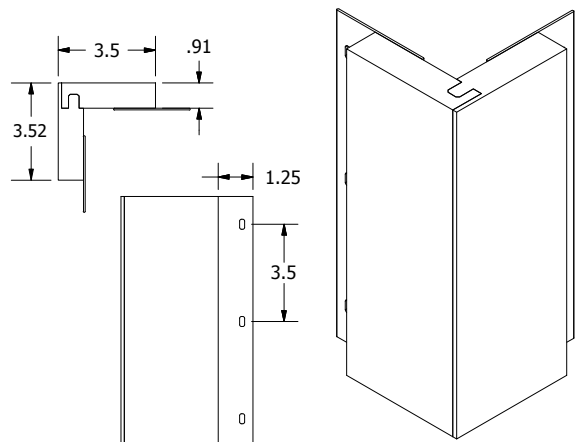
Substrate: Strand  
LP® SmartSide®  
Finish: Diamond Kote®  
Other: Plastic

### WEIGHT

Per Piece: 31.47 lbs.  
Per Pack: 31.47 lbs.  
Per Pallet: 944.1 lbs.

### PACKAGING

Per Pack: 1  
Per Pallet: 30





**5/4 X 6" NAIL FIN OUTSIDE CORNER - 10'**

*DRAWINGS SHOW ACTUAL DIMENSIONS*

Function: One piece design used to trim the outside corners  
 Part Description: 5/4"x6"x10' OSC LP Ced w/Nail Fin

**ACTUAL DIMENSIONS**

Exposure: 5.5"x5.63"  
 Overlap: N/A  
 Pieces per square: N/A  
 Length: 120"  
 Width: 5.5"  
 Height: N/A  
 Min. Thickness: 0.91"

**COLOR AVAILABILITY**

Solid, DuoBlend Premium,  
 and Custom

**CONSTRUCTION**

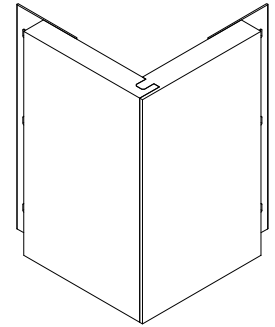
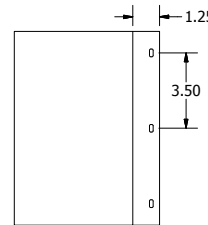
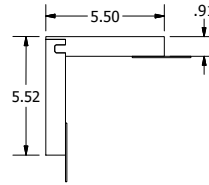
Substrate: Strand  
 LP® SmartSide®  
 Finish: Diamond Kote®  
 Other: Plastic

**WEIGHT**

Per Piece: 32 lbs.  
 Per Pack: 32 lbs.  
 Per Pallet: 480 lbs.

**PACKAGING**

Per Pack: 1  
 Per Pallet: 15



**5/4 X 6" NAIL FIN OUTSIDE CORNER - 16'**

*DRAWINGS SHOW ACTUAL DIMENSIONS*

Function: One piece design used to trim the outside corners  
 Part Description: 5/4"x6"x16' OSC LP Ced w/Nail Fin

**ACTUAL DIMENSIONS**

Exposure: 5.5"x5.63"  
 Overlap: N/A  
 Pieces per square: N/A  
 Length: 192"  
 Width: 5.5"  
 Height: N/A  
 Min. Thickness: 0.91"

**COLOR AVAILABILITY**

Solid, DuoBlend Premium,  
 and Custom

**CONSTRUCTION**

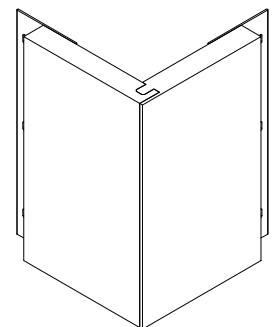
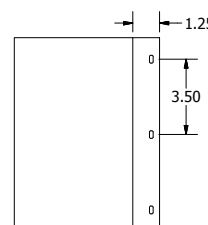
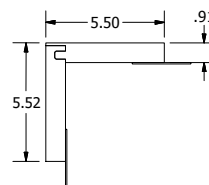
Substrate: Strand  
 LP® SmartSide®  
 Finish: Diamond Kote®  
 Other: Plastic

**WEIGHT**

Per Piece: 52 lbs.  
 Per Pack: 52 lbs.  
 Per Pallet: 780 lbs.

**PACKAGING**

Per Pack: 1  
 Per Pallet: 15



**6" HORIZONTAL GRAIN INDIVIDUAL METAL OUTSIDE CORNER**

Function: Finish the outside corner of each individual row of lap siding  
 Part Description: Individual Aluminum Outside Corner

*DRAWINGS SHOW ACTUAL DIMENSIONS*

**ACTUAL DIMENSIONS**

Exposure: 4.75"  
 Overlap: 1.25"  
 Pieces per square: N/A  
 Length: N/A  
 Width: 1.75"  
 Height: 5.875"  
 Min. Thickness: 0.019"

**CONSTRUCTION**

Substrate: Aluminum  
 Finish: Coordinating color matches  
 Other: N/A

**WEIGHT**

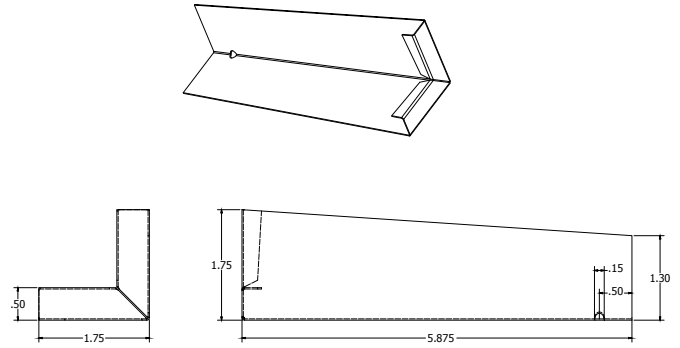
Per Piece: .04 lbs.  
 Per Pack: 1.09 lbs.  
 Per Pallet: N/A

**COLOR AVAILABILITY**

Light Gray, Smoky Ash, Pelican, Graphite, Clay, Oyster Shell, Sand, French Gray, Seal, Mountain Lake

**PACKAGING**

Per Pack: 25  
 Per Pallet: N/A



**8" HORIZONTAL GRAIN INDIVIDUAL METAL OUTSIDE CORNER**

Function: Finish the outside corner of each individual row of lap siding  
 Part Description: Individual Aluminum Outside Corner

*DRAWINGS SHOW ACTUAL DIMENSIONS*

**ACTUAL DIMENSIONS**

Exposure: 6.75"  
 Overlap: 1.25"  
 Pieces per square: N/A  
 Length: N/A  
 Width: 1.75"  
 Height: 7.875"  
 Min. Thickness: 0.019"

**CONSTRUCTION**

Substrate: Aluminum  
 Finish: Coordinating color matches  
 Other: N/A

**WEIGHT**

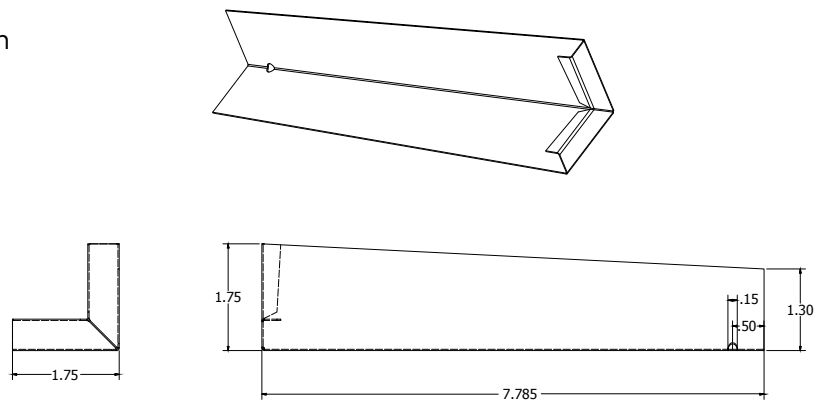
Per Piece: .05 lbs.  
 Per Pack: 1.30 lbs.  
 Per Pallet: N/A

**COLOR AVAILABILITY**

Light Gray, Smoky Ash, Pelican, Graphite, Clay, Oyster Shell, Sand, French Gray, Seal, Mountain Lake

**PACKAGING**

Per Pack: 25  
 Per Pallet: N/A



**12" HORIZONTAL GRAIN INDIVIDUAL METAL OUTSIDE CORNER**

Function: Finish the outside corner of each individual row of lap siding  
 Part Description: Individual Aluminum Outside Corner

*DRAWINGS SHOW ACTUAL DIMENSIONS*

**ACTUAL DIMENSIONS**

Exposure: 10.75"  
 Overlap: 1.25"  
 Pieces per square: N/A  
 Length: N/A  
 Width: 1.75"  
 Height: 11.75"  
 Min. Thickness: 0.019"

**CONSTRUCTION**

Substrate: Aluminum  
 Finish: Coordinating color matches  
 Other: N/A

**WEIGHT**

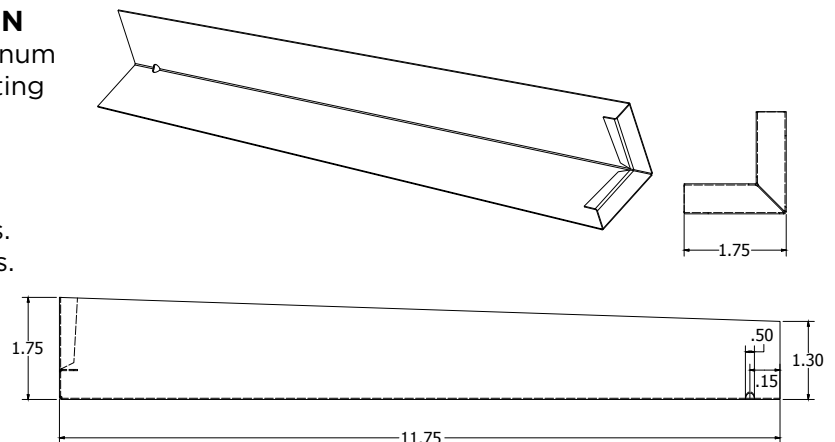
Per Piece: .07 lbs.  
 Per Pack: 1.80 lbs.  
 Per Pallet: N/A

**COLOR AVAILABILITY**

Light Gray, Smoky Ash, Pelican, Graphite, Clay, Oyster Shell, Sand, French Gray, Seal, Mountain Lake

**PACKAGING**

Per Pack: 25  
 Per Pallet: N/A



## 7" VERTICAL GRAIN INDIVIDUAL METAL OUTSIDE CORNER

Function: Finish the outside corner of each individual row of shake siding  
 Part Description: Individual Aluminum Outside Corner

*DRAWINGS SHOW  
 ACTUAL DIMENSIONS*

**ACTUAL DIMENSIONS**

Exposure: 4.875"  
 Overlap: 2.125"  
 Pieces per square: N/A  
 Length: N/A  
 Width: 1.75"  
 Height: 6.875"  
 Min. Thickness: 0.019"

**CONSTRUCTION**

Substrate: Aluminum  
 Finish: Coordinating  
 color matches  
 Other: N/A

**WEIGHT**

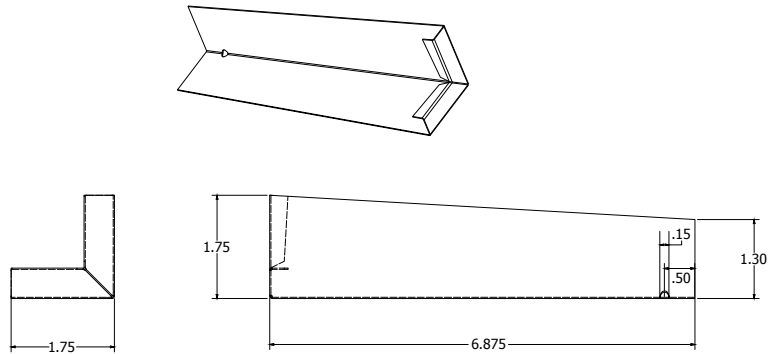
Per Piece: .04 lbs.  
 Per Pack: 1.19 lbs.  
 Per Pallet: N/A

**PACKAGING**

Per Pack: 25  
 Per Pallet: N/A

**COLOR AVAILABILITY**

Light Gray, Smoky Ash,  
 Pelican, Graphite, Clay,  
 Oyster Shell, Sand, French  
 Gray, Seal, Mountain Lake



## 9" VERTICAL GRAIN INDIVIDUAL METAL OUTSIDE CORNER

Function: Finish the outside corner of each individual row of shake siding  
 Part Description: Individual Aluminum Outside Corner

*DRAWINGS SHOW  
 ACTUAL DIMENSIONS*

**ACTUAL DIMENSIONS**

Exposure: 6.875"  
 Overlap: 2.125"  
 Pieces per square: N/A  
 Length: N/A  
 Width: 1.75"  
 Height: 8.875"  
 Min. Thickness: 0.019"

**CONSTRUCTION**

Substrate: Aluminum  
 Finish: Coordinating  
 color matches  
 Other: N/A

**WEIGHT**

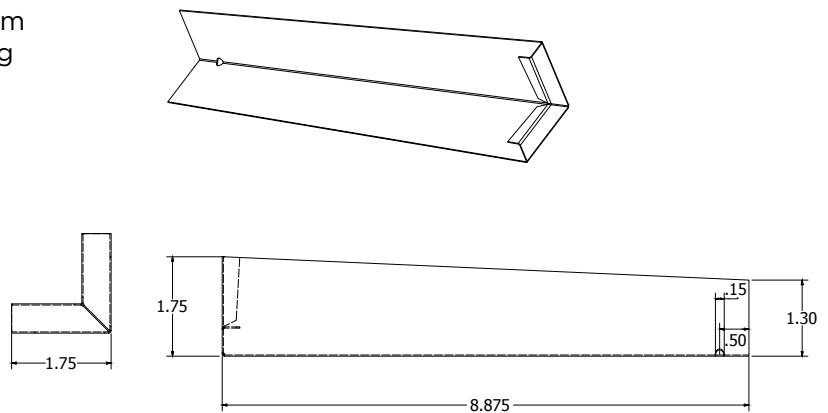
Per Piece: .05 lbs.  
 Per Pack: 1.40 lbs.  
 Per Pallet: N/A

**PACKAGING**

Per Pack: 25  
 Per Pallet: N/A

**COLOR AVAILABILITY**

Light Gray, Smoky Ash,  
 Pelican, Graphite, Clay,  
 Oyster Shell, Sand, French  
 Gray, Seal, Mountain Lake



## 12" VERTICAL GRAIN INDIVIDUAL METAL OUTSIDE CORNER

Function: Finish the outside corner of each individual row of shake siding  
 Part Description: Individual Aluminum Outside Corner

*DRAWINGS SHOW  
 ACTUAL DIMENSIONS*

**ACTUAL DIMENSIONS**

Exposure: 9.625"  
 Overlap: 2.125"  
 Pieces per square: N/A  
 Length: N/A  
 Width: 1.75"  
 Height: 11.6875"  
 Min. Thickness: 0.019"

**CONSTRUCTION**

Substrate: Aluminum  
 Finish: Coordinating  
 color matches  
 Other: N/A

**WEIGHT**

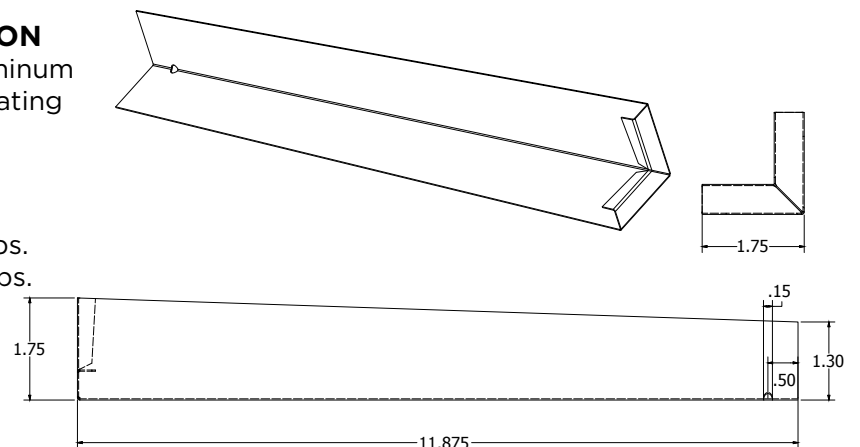
Per Piece: .07 lbs.  
 Per Pack: 1.80 lbs.  
 Per Pallet: N/A

**PACKAGING**

Per Pack: 25  
 Per Pallet: N/A

**COLOR AVAILABILITY**

Light Gray, Smoky Ash,  
 Pelican, Graphite, Clay,  
 Oyster Shell, Sand, French  
 Gray, Seal, Mountain Lake



### 5/4 X 4" RABBETED NAIL FIN TRIM

Function: Trim boards used around windows, doors, and gable accents; Vertical terminations of siding  
 Part Description: 5/4"x4"x16' RBT DK Trim w/Nail Fin

**ACTUAL DIMENSIONS**

Exposure: 3.5"  
 Overlap: N/A  
 Pieces per square: N/A  
 Length: 192"  
 Width: 3.5"  
 Height: N/A  
 Min. Thickness: 0.91"

**COLOR AVAILABILITY**

Solid, DuoBlend Premium, and Custom

**CONSTRUCTION**

Substrate: Strand LP® SmartSide®  
 Finish: Diamond Kote®  
 Other: Plastic

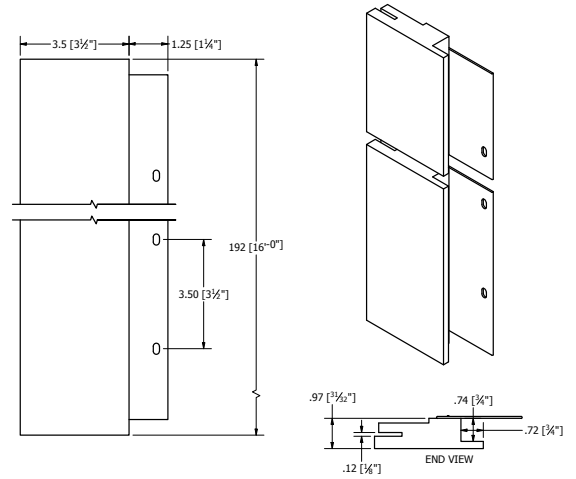
**WEIGHT**

Per Piece: 16.67 lbs.  
 Per Pack: 33.34 lbs.  
 Per Pallet: 1500.3 lbs.

**PACKAGING**

Per Pack: 2  
 Per Pallet: 90

*DRAWINGS SHOW ACTUAL DIMENSIONS*



### 5/4 X 6" RABBETED NAIL FIN TRIM

Function: Trim boards used around windows, doors, and gable accents; Vertical terminations of siding  
 Part Description: 5/4"x6"x16' RBT DK Trim w/Nail Fin

**ACTUAL DIMENSIONS**

Exposure: 5.5"  
 Overlap: N/A  
 Pieces per square: N/A  
 Length: 192"  
 Width: 5.5"  
 Height: N/A  
 Min. Thickness: 0.91"

**COLOR AVAILABILITY**

Solid, DuoBlend Premium, and Custom

**CONSTRUCTION**

Substrate: Strand LP® SmartSide®  
 Finish: Diamond Kote®  
 Other: Plastic

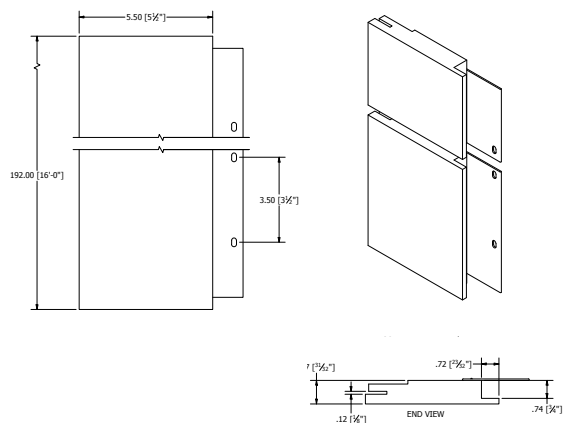
**WEIGHT**

Per Piece: 25.33 lbs.  
 Per Pack: 50.66 lbs.  
 Per Pallet: 1520 lbs.

**PACKAGING**

Per Pack: 2  
 Per Pallet: 60

*DRAWINGS SHOW ACTUAL DIMENSIONS*



## MITER L-BRACKET

Function: Used to join Rabbeted Nail Fin Trim together for window or door frame

Part Description: 3.5"x3.5" DK Rabbeted Trim Miter L-Bracket

### ACTUAL DIMENSIONS

Exposure: N/A  
 Overlap: N/A  
 Pieces per square: N/A  
 Length: 3.38"  
 Width: 3.38"  
 Height: N/A  
 Min. Thickness: 0.125"

### COLOR AVAILABILITY

N/A

### CONSTRUCTION

Substrate: Aluminium  
 Finish: N/A  
 Other: N/A

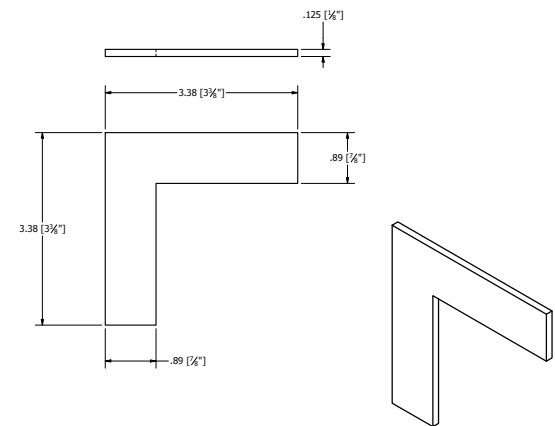
### WEIGHT

Per Piece: 0.03 lbs.  
 Per Pack: 0.36 lbs.  
 Per Pallet: N/A

### PACKAGING

Per Pack: 12  
 Per Pallet: N/A

DRAWINGS SHOW ACTUAL DIMENSIONS



## TRIM CLIP

Function: Trim Clip mounts Rabbeted Nail Fin Trim to the wall

Part Description: Trim Clip 3/8"x2" Alum 100/Bg 10Bg/Ct

### ACTUAL DIMENSIONS

Exposure: N/A  
 Overlap: N/A  
 Pieces/Trim Board: 12  
 Length: 1.63"  
 Width: 0.38"  
 Height: 1.56"  
 Min. Thickness: 0.019"

### COLOR AVAILABILITY

Primed finish

### CONSTRUCTION

Substrate: Aluminium  
 Finish: Q800 Tufftech®  
 Other: N/A

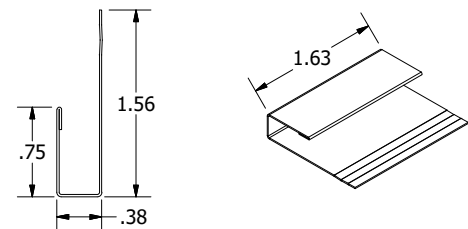
### WEIGHT

Per Piece: 0.0085 lbs.  
 Per Pack: 0.85 lbs.  
 Per Pallet: N/A

### PACKAGING

Per Pack: 100  
 Per Pallet: N/A

DRAWINGS SHOW ACTUAL DIMENSIONS



### 5/4 X 2" STANDARD TRIM

Function: Textured trim board used to accent any substrate  
 Part Description: 5/4"x2"x16' Standard Trim

**ACTUAL DIMENSIONS**

Exposure: 1.5"  
 Overlap: N/A  
 Pieces per square: N/A  
 Length: 192"  
 Width: 1.5"  
 Height: N/A  
 Min. Thickness: 0.91"

**COLOR AVAILABILITY**

Solid, DuoBlend Premium, and Custom

**CONSTRUCTION**

Substrate: Strand  
 LP® SmartSide®  
 Finish: Diamond Kote®  
 Other: N/A

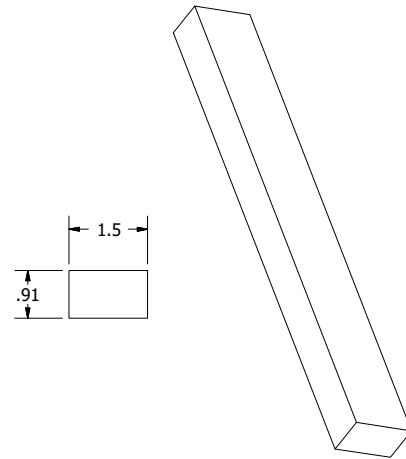
**WEIGHT**

Per Piece: 6.52 lbs.  
 Per Pack: 13.04 lbs.  
 Per Pallet: 1669.12 lbs.

**PACKAGING**

Per Pack: 4  
 Per Pallet: 256

*DRAWINGS SHOW ACTUAL DIMENSIONS*



### 5/4 X 3" STANDARD TRIM

Function: Textured trim board used to accent any substrate  
 Part Description: 5/4"x3"x16' Standard Trim

**ACTUAL DIMENSIONS**

Exposure: 2.5"  
 Overlap: N/A  
 Pieces per square: N/A  
 Length: 192"  
 Width: 2.5"  
 Height: N/A  
 Min. Thickness: 0.91"

**COLOR AVAILABILITY**

Solid, DuoBlend Premium, and Custom

**CONSTRUCTION**

Substrate: Strand  
 LP® SmartSide®  
 Finish: Diamond Kote®  
 Other: N/A

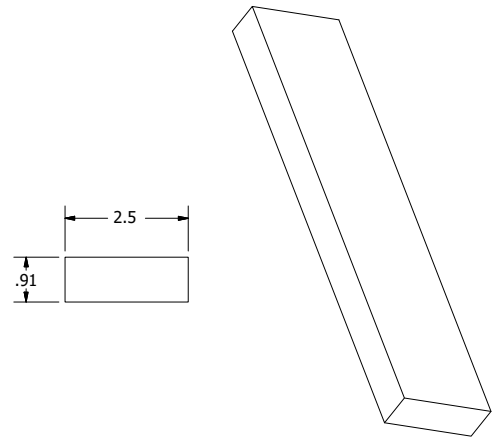
**WEIGHT**

Per Piece: 12.03 lbs.  
 Per Pack: 12.03 lbs.  
 Per Pallet: 1948.86 lbs.

**PACKAGING**

Per Pack: 4  
 Per Pallet: 162

*DRAWINGS SHOW ACTUAL DIMENSIONS*



### 5/4 X 4" STANDARD TRIM

Function: Textured trim board used to accent any substrate  
 Part Description: 5/4"x4"x16' Standard Trim

**ACTUAL DIMENSIONS**

Exposure: 3.5"  
 Overlap: N/A  
 Pieces per square: N/A  
 Length: 192"  
 Width: 3.5"  
 Height: N/A  
 Min. Thickness: 0.91"

**COLOR AVAILABILITY**

Solid, DuoBlend Premium, and Custom

**CONSTRUCTION**

Substrate: Strand  
 LP® SmartSide®  
 Finish: Diamond Kote®  
 Other: N/A

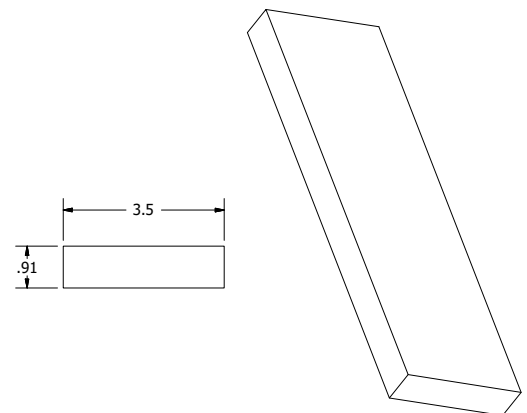
**WEIGHT**

Per Piece: 15.17 lbs.  
 Per Pack: 30.34 lbs.  
 Per Pallet: 1820.4 lbs.

**PACKAGING**

Per Pack: 2  
 Per Pallet: 120

*DRAWINGS SHOW ACTUAL DIMENSIONS*



## 5/4 X 6" STANDARD TRIM

DRAWINGS SHOW ACTUAL DIMENSIONS

Function: Textured trim board used to accent any substrate  
 Part Description: 5/4"x6"x16' Standard Trim

### ACTUAL DIMENSIONS

Exposure: 5.5"  
 Overlap: N/A  
 Pieces per square: N/A  
 Length: 192"  
 Width: 5.5"  
 Height: N/A  
 Min. Thickness: 0.91"

### CONSTRUCTION

Substrate: Strand  
 LP® SmartSide®  
 Finish: Diamond Kote®  
 Other: N/A

### WEIGHT

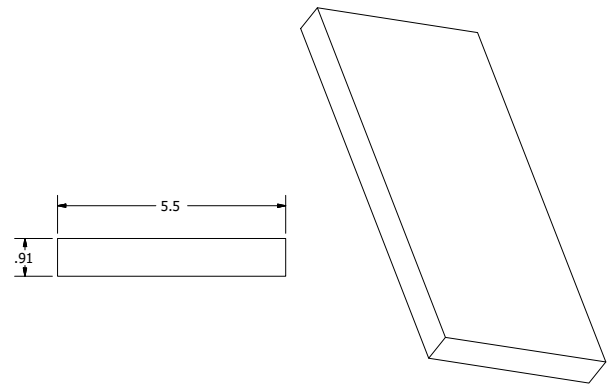
Per Piece: 24.43 lbs.  
 Per Pack: 48.86 lbs.  
 Per Pallet: 1710.1 lbs.

### COLOR AVAILABILITY

Solid, DuoBlend Premium,  
 and Custom

### PACKAGING

Per Pack: 2  
 Per Pallet: 70



## 5/4 X 8" STANDARD TRIM

DRAWINGS SHOW ACTUAL DIMENSIONS

Function: Textured trim board used to accent any substrate  
 Part Description: 5/4"x8"x16' Standard Trim

### ACTUAL DIMENSIONS

Exposure: 7.21"  
 Overlap: N/A  
 Pieces per square: N/A  
 Length: 192"  
 Width: 7.21"  
 Height: N/A  
 Min. Thickness: 0.91"

### CONSTRUCTION

Substrate: Strand  
 LP® SmartSide®  
 Finish: Diamond Kote®  
 Other: N/A

### WEIGHT

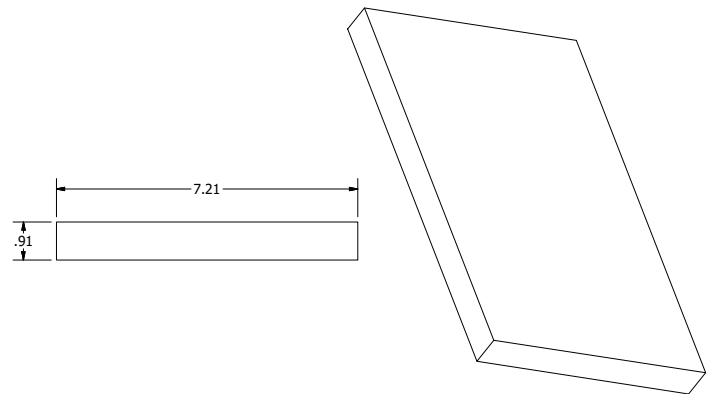
Per Piece: 32 lbs.  
 Per Pack: 64 lbs.  
 Per Pallet: 1920 lbs.

### COLOR AVAILABILITY

Solid, DuoBlend Premium,  
 and Custom

### PACKAGING

Per Pack: 2  
 Per Pallet: 60



## 5/4 X 10" STANDARD TRIM

DRAWINGS SHOW ACTUAL DIMENSIONS

Function: Textured trim board used to accent any substrate  
 Part Description: 5/4"x10"x16' Standard Trim

### ACTUAL DIMENSIONS

Exposure: 9.21"  
 Overlap: N/A  
 Pieces per square: N/A  
 Length: 192"  
 Width: 9.21"  
 Height: N/A  
 Min. Thickness: 0.91"

### CONSTRUCTION

Substrate: Strand  
 LP® SmartSide®  
 Finish: Diamond Kote®  
 Other: N/A

### WEIGHT

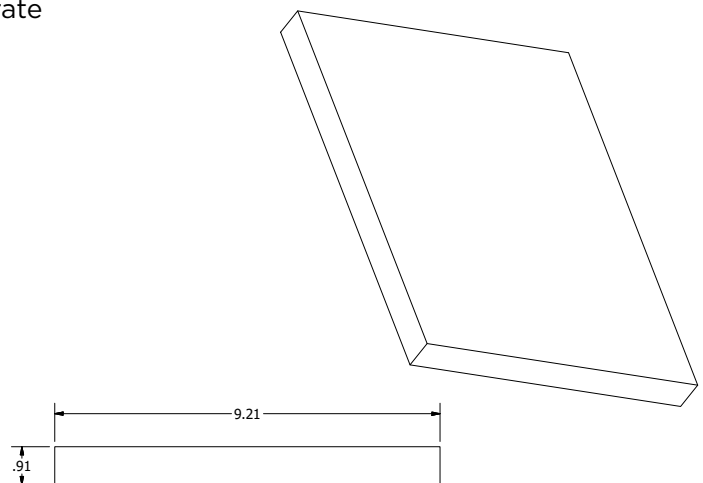
Per Piece: 41 lbs.  
 Per Pack: 82 lbs.  
 Per Pallet: 1640 lbs.

### COLOR AVAILABILITY

Solid, DuoBlend Premium,  
 and Custom

### PACKAGING

Per Pack: 2  
 Per Pallet: 40



### 5/4 X 12" STANDARD TRIM

Function: Textured trim board used to accent any substrate  
 Part Description: 5/4"x12"x16' Standard Trim

**ACTUAL DIMENSIONS**

Exposure: 11.21"  
 Overlap: N/A  
 Pieces per square: N/A  
 Length: 192"  
 Width: 11.21"  
 Height: N/A  
 Min. Thickness: 0.91"

**COLOR AVAILABILITY**

Solid, DuoBlend Premium, and Custom

**CONSTRUCTION**

Substrate: Strand  
 LP® SmartSide®  
 Finish: Diamond Kote®  
 Other: N/A

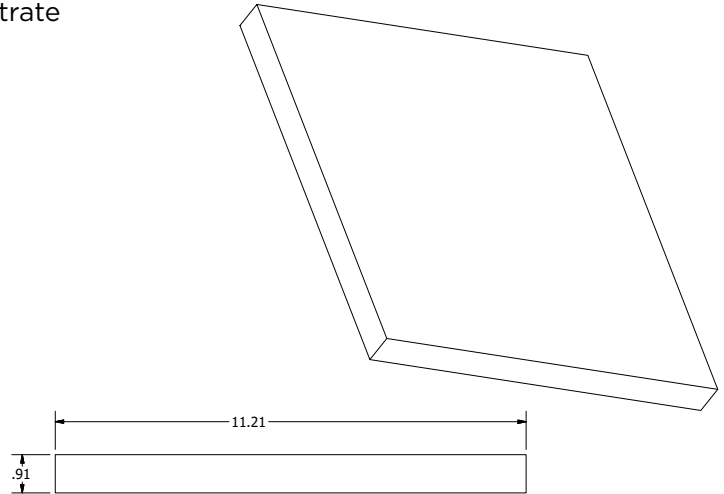
**WEIGHT**

Per Piece: 48.75 lbs.  
 Per Pack: 97.5 lbs.  
 Per Pallet: 1950 lbs.

**PACKAGING**

Per Pack: 2  
 Per Pallet: 40

*DRAWINGS SHOW ACTUAL DIMENSIONS*



### 4/4 X 2" STANDARD TRIM

Function: Textured trim board used to accent any substrate  
 Part Description: 4/4"x2"x16' Standard Trim

**ACTUAL DIMENSIONS**

Exposure: 1.5"  
 Overlap: N/A  
 Pieces per square: N/A  
 Length: 192"  
 Width: 1.5"  
 Height: N/A  
 Min. Thickness: 0.625"

**COLOR AVAILABILITY**

Solid, DuoBlend Premium, and Custom

**CONSTRUCTION**

Substrate: Strand  
 LP® SmartSide®  
 Finish: Diamond Kote®  
 Other: N/A

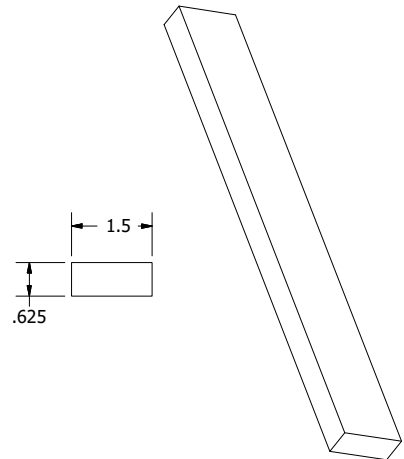
**WEIGHT**

Per Piece: 5.67 lbs.  
 Per Pack: 5.67 lbs.  
 Per Pallet: 1451.52 lbs.

**PACKAGING**

Per Pack: 4  
 Per Pallet: 256

*DRAWINGS SHOW ACTUAL DIMENSIONS*



### 4/4 X 3" STANDARD TRIM

Function: Textured trim board used to accent any substrate  
 Part Description: 4/4"x3"x16' Standard Trim

**ACTUAL DIMENSIONS**

Exposure: 2.5"  
 Overlap: N/A  
 Pieces per square: N/A  
 Length: 192"  
 Width: 2.5"  
 Height: N/A  
 Min. Thickness: 0.625"

**COLOR AVAILABILITY**

Solid, DuoBlend Premium, and Custom

**CONSTRUCTION**

Substrate: Strand  
 LP® SmartSide®  
 Finish: Diamond Kote®  
 Other: N/A

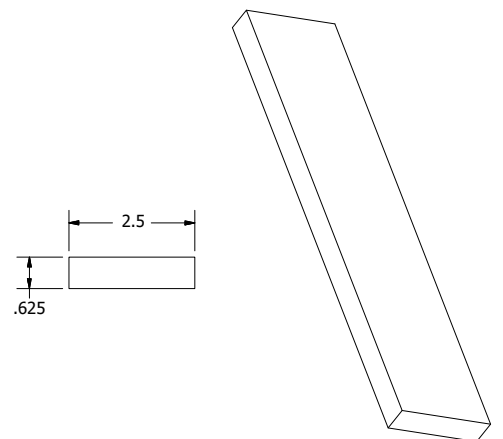
**WEIGHT**

Per Piece: 8.63 lbs.  
 Per Pack: 8.63 lbs.  
 Per Pallet: 1398.06 lbs.

**PACKAGING**

Per Pack: 4  
 Per Pallet: 162

*DRAWINGS SHOW ACTUAL DIMENSIONS*





## 4/4 X 4" STANDARD TRIM

Function: Textured trim board used to accent any substrate

Part Description: 4/4"x4"x16' Standard Trim

### ACTUAL DIMENSIONS

Exposure: 3.5"

Overlap: N/A

Pieces per square: N/A

Length: 192"

Width: 3.5"

Height: N/A

Min. Thickness: 0.625"

### COLOR AVAILABILITY

Solid, DuoBlend Premium,  
and Custom

### CONSTRUCTION

Substrate: Strand

LP® SmartSide®

Finish: Diamond Kote®

Other: N/A

### WEIGHT

Per Piece: 11.19 lbs.

Per Pack: 22.38 lbs.

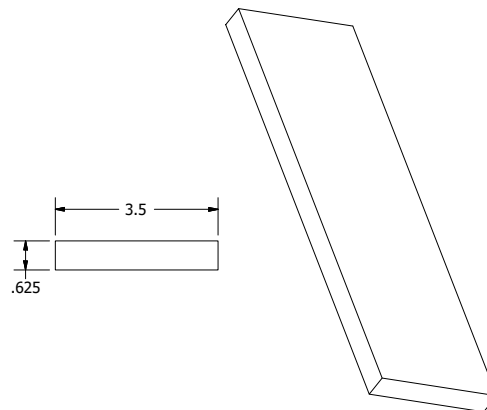
Per Pallet: 1342.8 lbs.

### PACKAGING

Per Pack: 2

Per Pallet: 120

DRAWINGS SHOW ACTUAL DIMENSIONS



## 4/4 X 6" STANDARD TRIM

Function: Textured trim board used to accent any substrate

Part Description: 4/4"x6"x16' Standard Trim

### ACTUAL DIMENSIONS

Exposure: 5.5"

Overlap: N/A

Pieces per square: N/A

Length: 192"

Width: 5.5"

Height: N/A

Min. Thickness: 0.625"

### COLOR AVAILABILITY

Solid, DuoBlend Premium,  
and Custom

### CONSTRUCTION

Substrate: Strand

LP® SmartSide®

Finish: Diamond Kote®

Other: N/A

### WEIGHT

Per Piece: 17.14 lbs.

Per Pack: 34.28 lbs.

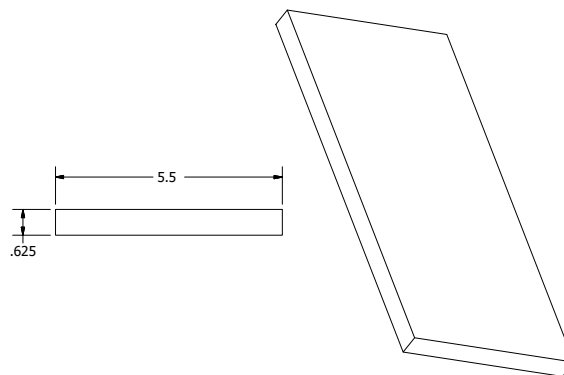
Per Pallet: 1199.8 lbs.

### PACKAGING

Per Pack: 2

Per Pallet: 70

DRAWINGS SHOW ACTUAL DIMENSIONS



## 4/4 X 8" STANDARD TRIM

Function: Textured trim board used to accent any substrate

Part Description: 4/4"x8"x16' Standard Trim

### ACTUAL DIMENSIONS

Exposure: 7.21"

Overlap: N/A

Pieces per square: N/A

Length: 192"

Width: 7.21"

Height: N/A

Min. Thickness: 0.625"

### COLOR AVAILABILITY

Solid, DuoBlend Premium,  
and Custom

### CONSTRUCTION

Substrate: Strand

LP® SmartSide®

Finish: Diamond Kote®

Other: N/A

### WEIGHT

Per Piece: 22.33 lbs.

Per Pack: 44.66 lbs.

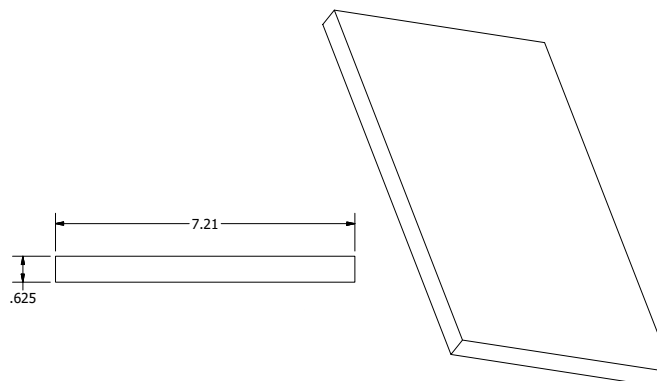
Per Pallet: 1339.8 lbs.

### PACKAGING

Per Pack: 2

Per Pallet: 60

DRAWINGS SHOW ACTUAL DIMENSIONS



## 4/4 X 10" STANDARD TRIM

*DRAWINGS SHOW ACTUAL DIMENSIONS*

Function: Textured trim board used to accent any substrate  
Part Description: 4/4"x10"x16' Standard Trim

### ACTUAL DIMENSIONS

Exposure: 9.21"  
Overlap: N/A  
Pieces per square: N/A  
Length: 192"  
Width: 9.21"  
Height: N/A  
Min. Thickness: 0.625"

### COLOR AVAILABILITY

Solid, DuoBlend Premium,  
and Custom

### CONSTRUCTION

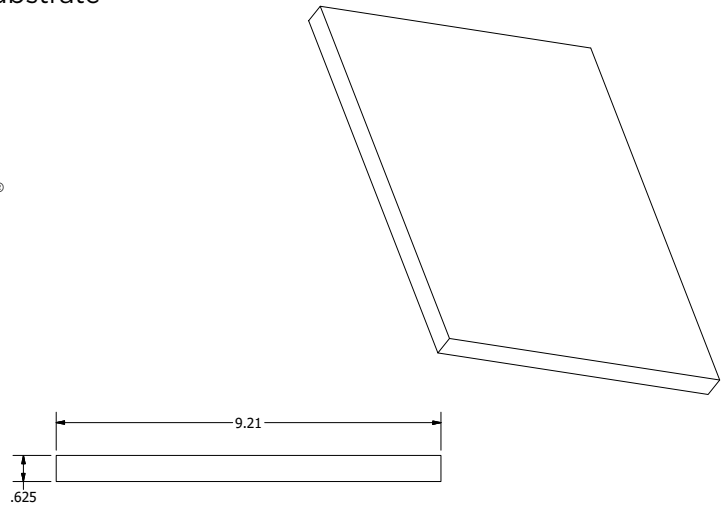
Substrate: Strand  
LP® SmartSide®  
Finish: Diamond Kote®  
Other: N/A

### WEIGHT

Per Piece: 29 lbs.  
Per Pack: 58 lbs.  
Per Pallet: 1160 lbs.

### PACKAGING

Per Pack: 2  
Per Pallet: 40



## 4/4 X 12" STANDARD TRIM

*DRAWINGS SHOW ACTUAL DIMENSIONS*

Function: Textured trim board used to accent any substrate  
Part Description: 4/4"x12"x16' Standard Trim

### ACTUAL DIMENSIONS

Exposure: 11.21"  
Overlap: N/A  
Pieces per square: N/A  
Length: 192"  
Width: 11.21"  
Height: N/A  
Min. Thickness: 0.625"

### COLOR AVAILABILITY

Solid, DuoBlend Premium,  
and Custom

### CONSTRUCTION

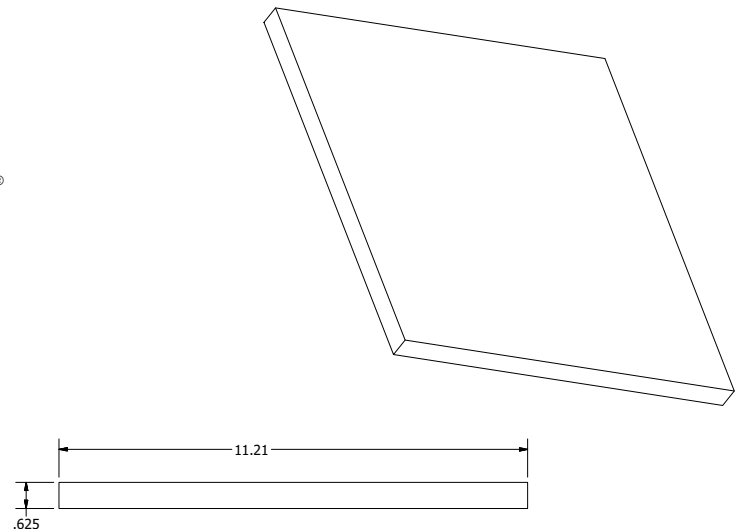
Substrate: Strand  
LP® SmartSide®  
Finish: Diamond Kote®  
Other: N/A

### WEIGHT

Per Piece: 34.5 lbs.  
Per Pack: 69 lbs.  
Per Pallet: 1380 lbs.

### PACKAGING

Per Pack: 2  
Per Pallet: 40



## 4" ARCH TRIM

DRAWINGS SHOW ACTUAL DIMENSIONS

Function: Custom premade trim for arched, elliptical or circular windows, doors or other openings

Part Description: 4" Arch Trim

### ACTUAL DIMENSIONS

Exposure: 3.5"  
 Overlap: N/A  
 Pieces per square: N/A  
 Length: Variable  
 Width: 3.5"  
 Height: Variable  
 Min. Thickness: 0.91"

### COLOR AVAILABILITY

Solid, DuoBlend Premium, and Custom

### CONSTRUCTION

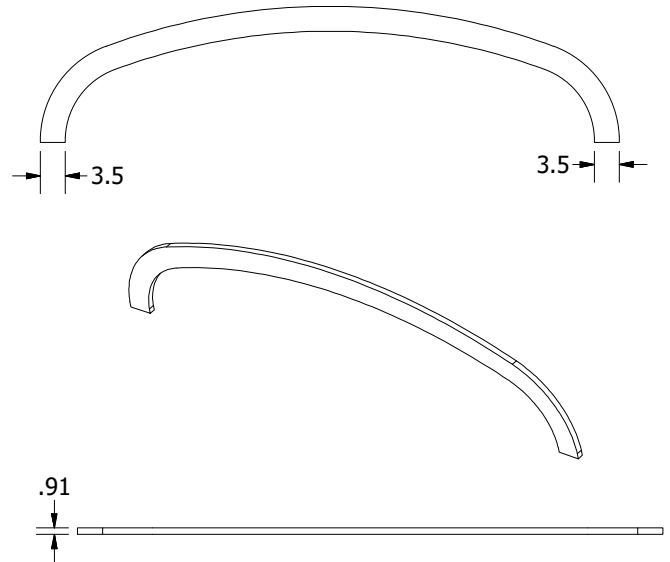
Substrate: Strand  
 LP® SmartSide®  
 Finish: Diamond Kote®  
 Other: N/A

### WEIGHT

Per Piece: Variable  
 0.95 Lbs / Lineal Foot  
 Per Pack: N/A  
 Per Pallet: N/A

### PACKAGING

Per Pack: 1  
 Per Pallet: N/A



## 6" ARCH TRIM

DRAWINGS SHOW ACTUAL DIMENSIONS

Function: Custom premade trim for arched, elliptical or circular windows, doors or other openings

Part Description: 6" Arch Trim

### ACTUAL DIMENSIONS

Exposure: 5.5"  
 Overlap: N/A  
 Pieces per square: N/A  
 Length: Variable  
 Width: 5.5"  
 Height: Variable  
 Min. Thickness: 0.91"

### COLOR AVAILABILITY

Solid, DuoBlend Premium, and Custom

### CONSTRUCTION

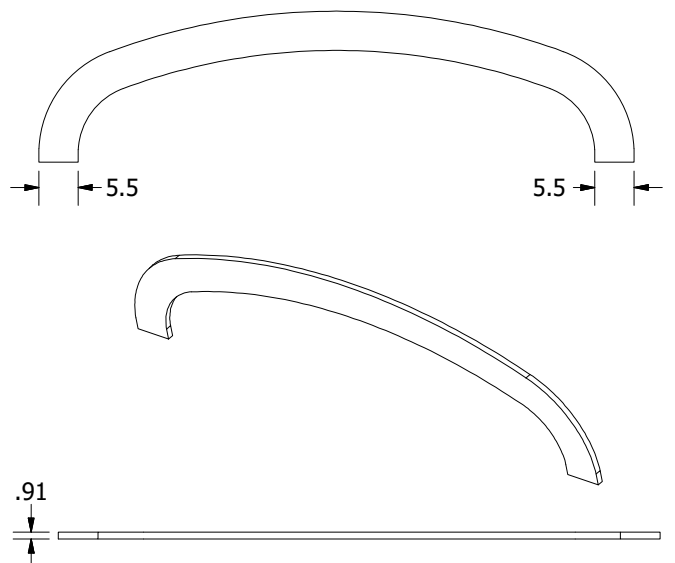
Substrate: Strand  
 LP® SmartSide®  
 Finish: Diamond Kote®  
 Other: N/A

### WEIGHT

Per Piece: Variable  
 1.52 Lbs / Lineal Foot  
 Per Pack: N/A  
 Per Pallet: N/A

### PACKAGING

Per Pack: 1  
 Per Pallet: N/A



**4" KEYSTONE**

*DRAWINGS SHOW ACTUAL DIMENSIONS*

Function: Accent piece used with lineal trim on arched, circular windows, doors or other straight trim openings  
 Part Description: 4" Keystone

**ACTUAL DIMENSIONS**

Exposure: N/A  
 Overlap: N/A  
 Pieces per square: N/A  
 Length: N/A  
 Width: 5.5"  
 Height: 4.5"  
 Min. Thickness: 0.91"

**COLOR AVAILABILITY**

Solid, DuoBlend Premium, and Custom

**CONSTRUCTION**

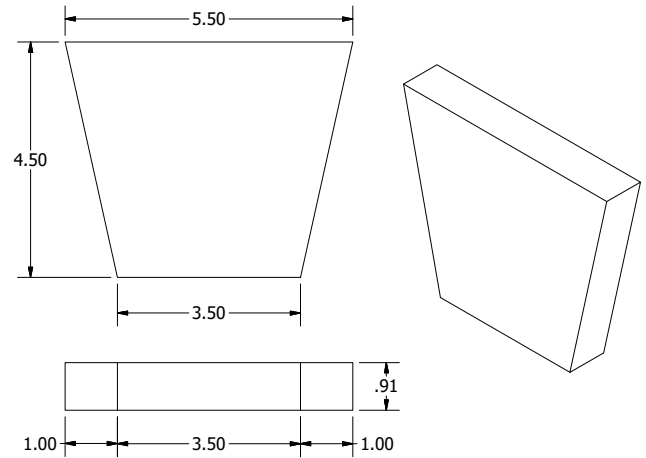
Substrate: Strand  
 LP® SmartSide®  
 Finish: Diamond Kote®  
 Other: N/A

**WEIGHT**

Per Piece: 0.2 lbs.  
 Per Pack: 0.2 lbs.  
 Per Pallet: N/A lbs.

**PACKAGING**

Per Pack: 1  
 Per Carton: N/A



**6" KEYSTONE**

*DRAWINGS SHOW ACTUAL DIMENSIONS*

Function: Accent piece used with lineal trim on arched, circular windows, doors or other straight trim openings  
 Part Description: 6" Keystone

**ACTUAL DIMENSIONS**

Exposure: N/A  
 Overlap: N/A  
 Pieces per square: N/A  
 Length: N/A  
 Width: 7.5"  
 Height: 6.5"  
 Min. Thickness: 0.91"

**COLOR AVAILABILITY**

Solid, DuoBlend Premium, and Custom

**CONSTRUCTION**

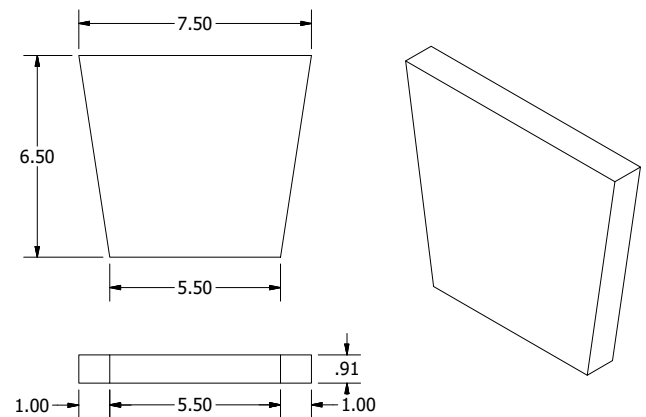
Substrate: Strand  
 LP® SmartSide®  
 Finish: Diamond Kote®  
 Other: N/A

**WEIGHT**

Per Piece: 1 lbs.  
 Per Pack: 1 lbs.  
 Per Pallet: N/A

**PACKAGING**

Per Pack: 1  
 Per Carton: N/A



## 4" X 4" PRO-POST WRAP™

DRAWINGS SHOW ACTUAL DIMENSIONS

Function: Decorative wrap for use on porches and decks around structural and non-structural items

Part Description: Pro-Post Wrap 4"x4" 12' LP Ced 4Pc+Glue Kit

### ACTUAL DIMENSIONS

Exposure: N/A  
 Overlap: N/A  
 Pieces per square: N/A  
 Length: 144"  
 Width: 5.075"  
 Height: 5.075"  
 Min. Thickness: 0.53"

### COLOR AVAILABILITY

Solid, DuoBlend Premium, and Custom

### CONSTRUCTION

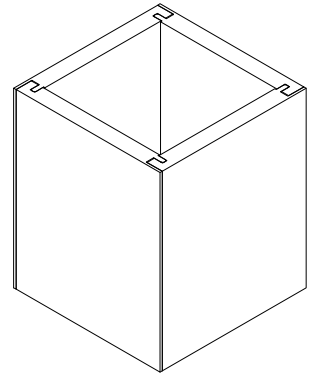
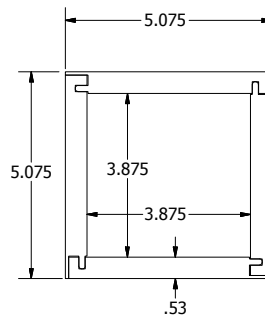
Substrate: Strand  
 LP® SmartSide®  
 Finish: Diamond Kote®  
 Other: Glue Kit Included

### WEIGHT

Per Piece: N/A  
 Per Pack: 35 lbs.  
 Per Pallet: 1050 lbs.

### PACKAGING

Per Pack: 1  
 Per Pallet: 30



## 4" X 6" PRO-POST WRAP™

DRAWINGS SHOW ACTUAL DIMENSIONS

Function: Decorative wrap for use on porches and decks around structural and non-structural items

Part Description: Pro-Post Wrap 4"x6" 12' LP Ced 4Pc+Glue Kit

### ACTUAL DIMENSIONS

Exposure: N/A  
 Overlap: N/A  
 Pieces per square: N/A  
 Length: 144"  
 Width: 7.075"  
 Height: 5.075"  
 Min. Thickness: 0.53"

### COLOR AVAILABILITY

Solid, DuoBlend Premium, and Custom

### CONSTRUCTION

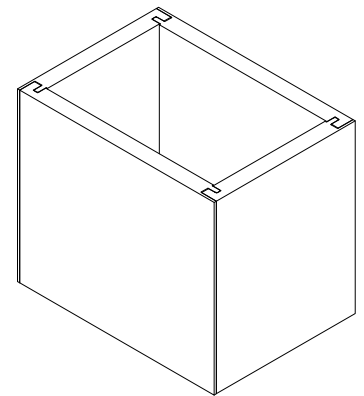
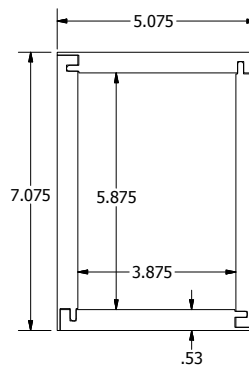
Substrate: Strand  
 LP® SmartSide®  
 Finish: Diamond Kote®  
 Other: Glue Kit Included

### WEIGHT

Per Piece: N/A  
 Per Pack: 42 lbs.  
 Per Pallet: 1134 lbs.

### PACKAGING

Per Pack: 1  
 Per Pallet: 24



## 6" X 6" PRO-POST WRAP™

DRAWINGS SHOW ACTUAL DIMENSIONS

Function: Decorative wrap for use on porches and decks around structural and non-structural items

Part Description: Pro-Post Wrap 6"x6" 12' LP Ced 4Pc+Glue Kit

### ACTUAL DIMENSIONS

Exposure: N/A  
 Overlap: N/A  
 Pieces per square: N/A  
 Length: 144"  
 Width: 7.075"  
 Height: 7.075"  
 Min. Thickness: 0.53"

### COLOR AVAILABILITY

Solid, DuoBlend Premium, and Custom

### CONSTRUCTION

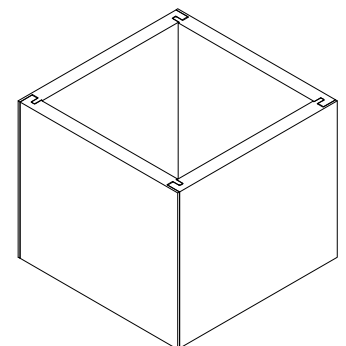
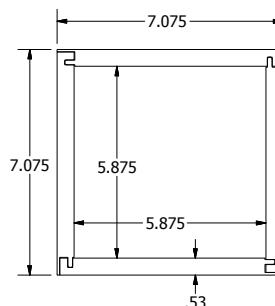
Substrate: Strand  
 LP® SmartSide®  
 Finish: Diamond Kote®  
 Other: Glue Kit Included

### WEIGHT

Per Piece: N/A  
 Per Pack: 49 lbs.  
 Per Pallet: 1176 lbs.

### PACKAGING

Per Pack: 1  
 Per Pallet: 24



**8" PLOWED FASCIA**

*DRAWINGS SHOW ACTUAL DIMENSIONS*

Function: Textured fascia to complete soffit system, covers 6" sub-fascia  
 Part Description: Fascia 8" Plow 4/4" Smart Ced

**ACTUAL DIMENSIONS**

Exposure: 7.21"  
 Overlap: N/A  
 Pieces per square: N/A  
 Length: 192"  
 Width: 7.21"  
 Height: N/A  
 Min. Thickness: 0.625"

**CONSTRUCTION**

Substrate: Strand  
 LP® SmartSide®  
 Finish: Diamond Kote®  
 Other: N/A

**WEIGHT**

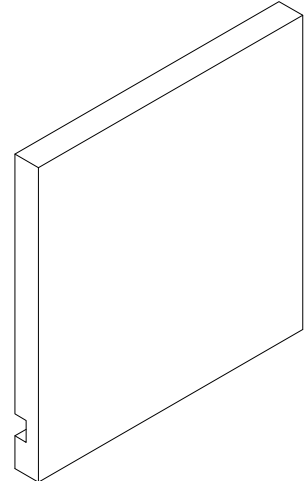
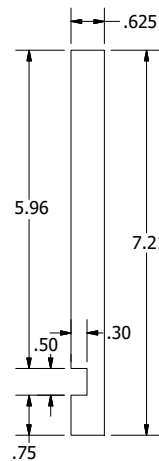
Per Piece: 22 lbs.  
 Per Pack: 44 lbs.  
 Per Pallet: 1320 lbs.

**COLOR AVAILABILITY**

Solid, DuoBlend Premium,  
 and Custom

**PACKAGING**

Per Pack: 2  
 Per Pallet: 60



**4X8 NO GROOVE SOFFIT**

*DRAWINGS SHOW ACTUAL DIMENSIONS*

Function: Textured soffit panels for porches and large overhangs  
 Part Description: 4'x8' 3/8" Smart Soffit Ced No Groove

**ACTUAL DIMENSIONS**

Exposure: N/A  
 Overlap: N/A  
 Pieces per square: 3.125  
 Length: 96"  
 Width: 47.875"  
 Height: N/A  
 Min. Thickness: 0.315"

**CONSTRUCTION**

Substrate: Strand  
 LP® SmartSide®  
 Finish: Diamond Kote®  
 Other: N/A

**WEIGHT**

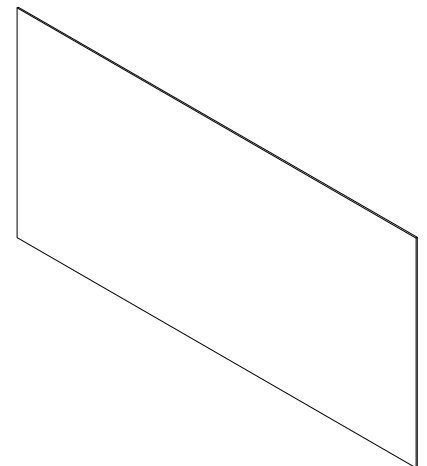
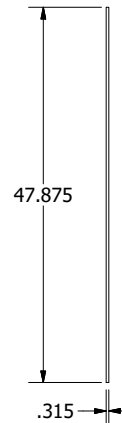
Per Piece: 41.78 lbs.  
 Per Pack: N/A  
 Per Pallet: 1880.1 lbs.

**COLOR AVAILABILITY**

Solid, DuoBlend Premium,  
 and Custom

**PACKAGING**

Per Pack: 1  
 Per Pallet: 45



**10' SOFFIT CHANNEL**

*DRAWINGS SHOW ACTUAL DIMENSIONS*

Function: Channel provides cover and concealment of the required expansion gap  
 Part Description: 1-1/2" x 10' WG Soffit Channel

**ACTUAL DIMENSIONS**

Exposure: 120"  
 Overlap: N/A  
 Pieces per square: N/A  
 Length: 120"  
 Width: 1.5"  
 Height: N/A  
 Min. Thickness: 0.019"

**CONSTRUCTION**

Substrate: Aluminum  
 Finish: Coordinating Color  
 Matches  
 Other: N/A

**WEIGHT**

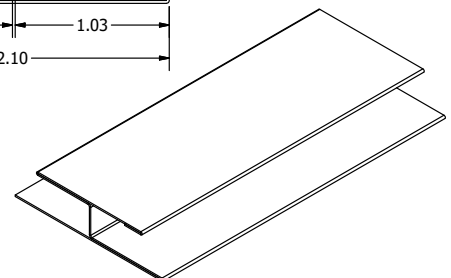
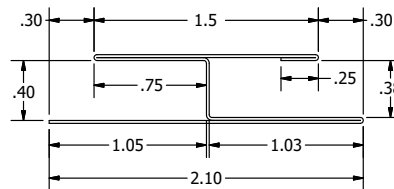
Per Piece: 1.3 lbs.  
 Per Carton: 13 lbs.  
 Per Pallet: 820 lbs.

**COLOR AVAILABILITY**

Solid, DuoBlend Premium  
 Accent, and Custom

**PACKAGING**

Per Carton: 10  
 Per Pallet: 630



## 12" VENTED SOFFIT

Function: Used to close off eave areas of roof overhangs  
 Part Description: 12"x16' 3/8" Smart Vented Soffit

### ACTUAL DIMENSIONS

Exposure: N/A  
 Overlap: N/A  
 Pieces per square: N/A  
 Ventilation: 10 Net Free  
 Air, 10 sq." / Lin.'  
 Length: 192"  
 Width: 11.94"  
 Height: N/A  
 Min. Thickness: 0.315"

### CONSTRUCTION

Substrate: Strand  
 LP® SmartSide®  
 Finish: Diamond Kote®  
 Other: N/A

### WEIGHT

Per Piece: 22.05 lbs.  
 Per Pack: N/A  
 Per Pallet: 1940.4 lbs.

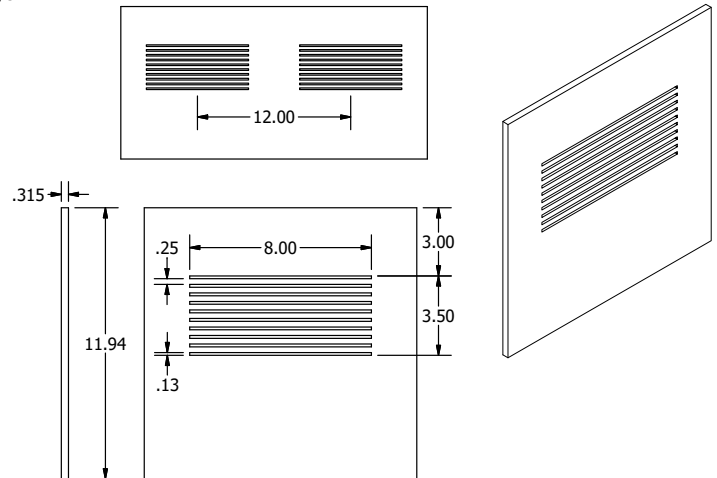
### COLOR AVAILABILITY

Solid, DuoBlend Premium,  
 and Custom

### PACKAGING

Per Pack: 1  
 Per Pallet: 88

DRAWINGS SHOW ACTUAL DIMENSIONS



## 16" VENTED SOFFIT

Function: Used to close off eave areas of roof overhangs  
 Part Description: 16"x16' 3/8" Smart Vented Soffit

### ACTUAL DIMENSIONS

Exposure: N/A  
 Overlap: N/A  
 Pieces per square: N/A  
 Ventilation: 10 Net Free  
 Air, 10 sq." / Lin.'  
 Length: 192"  
 Width: 15.94"  
 Height: N/A  
 Min. Thickness: 0.315"

### CONSTRUCTION

Substrate: Strand  
 LP® SmartSide®  
 Finish: Diamond Kote®  
 Other: N/A

### WEIGHT

Per Piece: 29.4 lbs.  
 Per Pack: N/A  
 Per Pallet: 1940.4 lbs.

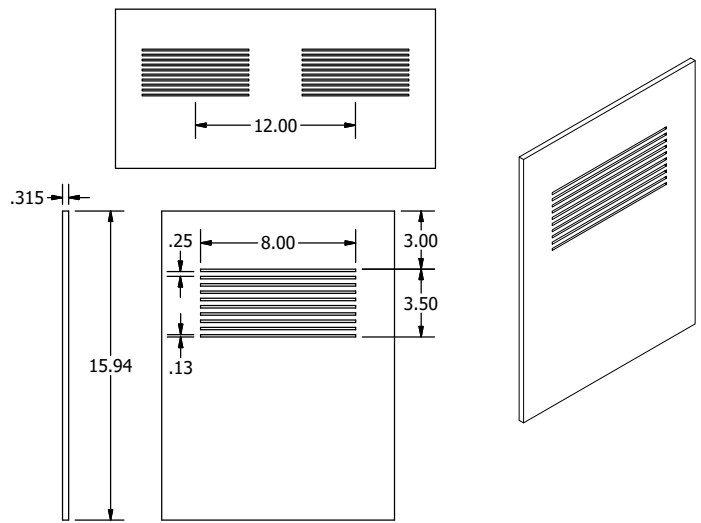
### COLOR AVAILABILITY

Solid, DuoBlend Premium,  
 and Custom

### PACKAGING

Per Pack: 1  
 Per Pallet: 66

DRAWINGS SHOW ACTUAL DIMENSIONS



## 24" VENTED SOFFIT

Function: Used to close off eave areas of roof overhangs  
 Part Description: 24"x16' 3/8" Smart Vented Soffit

### ACTUAL DIMENSIONS

Exposure: N/A  
 Overlap: N/A  
 Pieces per square: N/A  
 Ventilation: 10 Net Free  
 Air, 10 sq." / Lin.'  
 Length: 192"  
 Width: 23.94"  
 Height: N/A  
 Min. Thickness: 0.315"

### CONSTRUCTION

Substrate: Strand  
 LP® SmartSide®  
 Finish: Diamond Kote®  
 Other: N/A

### WEIGHT

Per Piece: 42.73 lbs.  
 Per Pack: N/A  
 Per Pallet: 1880.12 lbs.

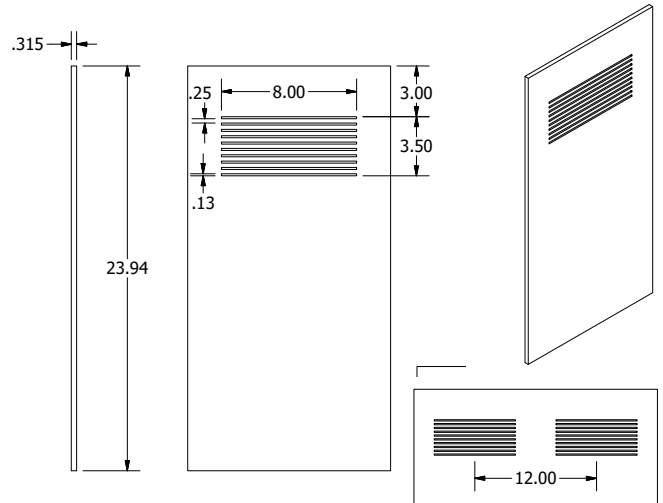
### COLOR AVAILABILITY

Solid, DuoBlend Premium,  
 and Custom

### PACKAGING

Per Pack: 1  
 Per Pallet: 44

DRAWINGS SHOW ACTUAL DIMENSIONS



**12" SOLID SOFFIT**

Function: Used to close off rake areas of roof overhangs  
 Part Description: 12"x16' 3/8" Smart Cedar Solid Soffit

**ACTUAL DIMENSIONS**

Exposure: N/A  
 Overlap: N/A  
 Pieces per square: N/A  
 Length: 192"  
 Width: 11.94"  
 Height: N/A  
 Min. Thickness: 0.315"

**COLOR AVAILABILITY**

Solid, DuoBlend Premium, and Custom

**CONSTRUCTION**

Substrate: Strand LP® SmartSide®  
 Finish: Diamond Kote®  
 Other: N/A

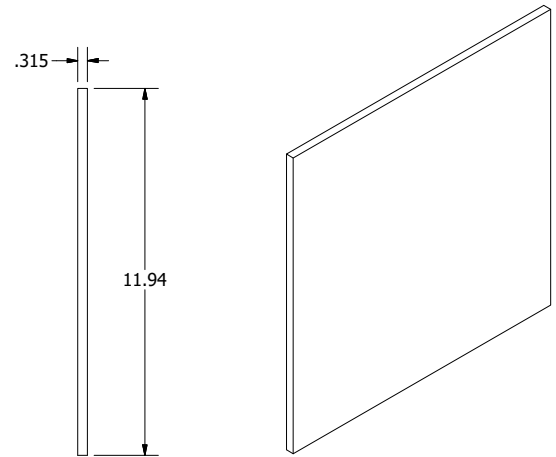
**WEIGHT**

Per Piece: 23.38 lbs.  
 Per Pack: N/A  
 Per Pallet: 2057.44 lbs.

**PACKAGING**

Per Pack: 1  
 Per Pallet: 88

*DRAWINGS SHOW ACTUAL DIMENSIONS*



**16" SOLID SOFFIT**

Function: Used to close off rake areas of roof overhangs  
 Part Description: 16"x16' 3/8" Smart Cedar Solid Soffit

**ACTUAL DIMENSIONS**

Exposure: N/A  
 Overlap: N/A  
 Pieces per square: N/A  
 Length: 192"  
 Width: 15.94"  
 Height: N/A  
 Min. Thickness: 0.315"

**COLOR AVAILABILITY**

Solid, DuoBlend Premium, and Custom

**CONSTRUCTION**

Substrate: Strand LP® SmartSide®  
 Finish: Diamond Kote®  
 Other: N/A

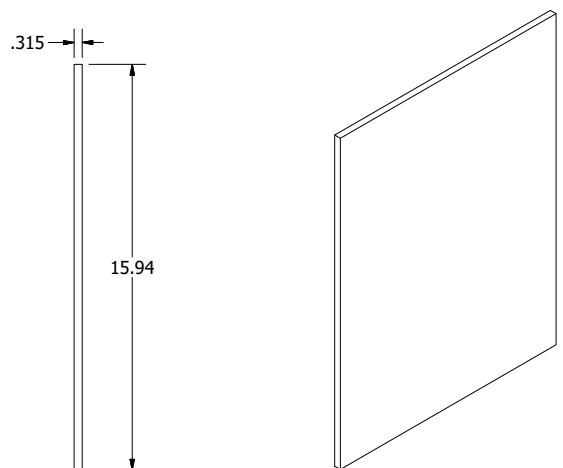
**WEIGHT**

Per Piece: 30.15 lbs.  
 Per Pack: N/A  
 Per Pallet: 1989.9 lbs.

**PACKAGING**

Per Pack: 1  
 Per Pallet: 66

*DRAWINGS SHOW ACTUAL DIMENSIONS*



**24" SOLID SOFFIT**

Function: Used to close off rake areas of roof overhangs  
 Part Description: 24"x16' 3/8" Smart Cedar Solid Soffit

**ACTUAL DIMENSIONS**

Exposure: N/A  
 Overlap: N/A  
 Pieces per square: N/A  
 Length: 192"  
 Width: 23.94"  
 Height: N/A  
 Min. Thickness: 0.315"

**COLOR AVAILABILITY**

Solid, DuoBlend Premium, and Custom

**CONSTRUCTION**

Substrate: Strand LP® SmartSide®  
 Finish: Diamond Kote®  
 Other: N/A

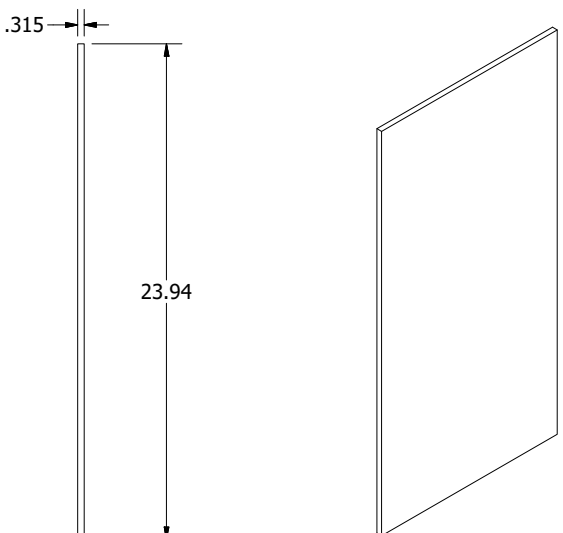
**WEIGHT**

Per Piece: 46.18 lbs.  
 Per Pack: N/A  
 Per Pallet: 2031.92 lbs.

**PACKAGING**

Per Pack: 1  
 Per Pallet: 44

*DRAWINGS SHOW ACTUAL DIMENSIONS*





## DIVERTER FLASHING

*DRAWINGS SHOW ACTUAL DIMENSIONS*

Function: Diverts roof water runoff away from siding at roof to wall intersections

Part Description: Dryflekt Diverter Flash Poly 6"x6"x14.5"

### ACTUAL DIMENSIONS

Exposure: N/A  
Overlap: N/A  
Pieces per square: N/A  
Length: 14.5"  
Width: 6"  
Height: 6"  
Min. Thickness: 0.125"

### COLOR AVAILABILITY

Dryflekt Standard Colors

### CONSTRUCTION

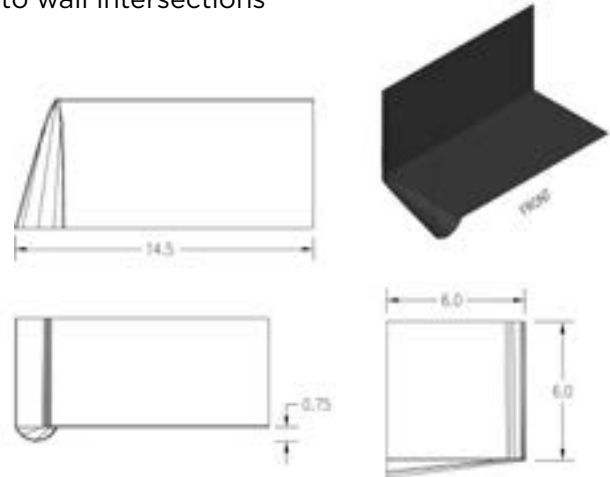
Substrate: Thermoplastic  
Polyolefin (TPO)  
Finish: Through Molded  
Color  
Other: N/A

### WEIGHT

Per Piece: 0.56 lbs.  
Per Carton: 14 lbs.  
Per Pallet: N/A

### PACKAGING

Per Pack: 1  
Per Carton: 25



## DRIP CAP

*DRAWINGS SHOW ACTUAL DIMENSIONS*

Function: Protects top edge of horizontal trims against water penetration

Part Description: 1"x10' Drip Cap Sm Alum

### ACTUAL DIMENSIONS

Exposure: 0.31"  
Overlap: N/A  
Pieces per square: N/A  
Length: 120"  
Width: 1"  
Height: 1.84"  
Min. Thickness: 0.019"

### COLOR AVAILABILITY

Solid, DuoBlend Premium  
Accent, and Custom

### CONSTRUCTION

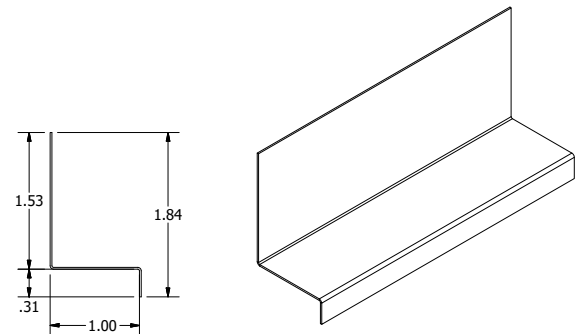
Substrate: Aluminum  
Finish: Coordinating color  
matches

### WEIGHT

Per Piece: 0.70 lbs.  
Per Carton: 17.5 lbs.  
Per Pallet: 735 lbs.

### PACKAGING

Per Carton: 25  
Per Pallet: 1050



## SPACER FLASHING

*DRAWINGS SHOW ACTUAL DIMENSIONS*

Function: Spacer used to keep siding and trim products the required distance away from roof lines or decking

Part Description: 1"x2" 10' Spacer Flash

### ACTUAL DIMENSIONS

Exposure: 2"  
Overlap: N/A  
Pieces per square: N/A  
Length: 120"  
Width: 1"  
Height: 4"  
Min. Thickness: 0.019"

### COLOR AVAILABILITY

Solid, DuoBlend Premium  
Accent, and Custom

### CONSTRUCTION

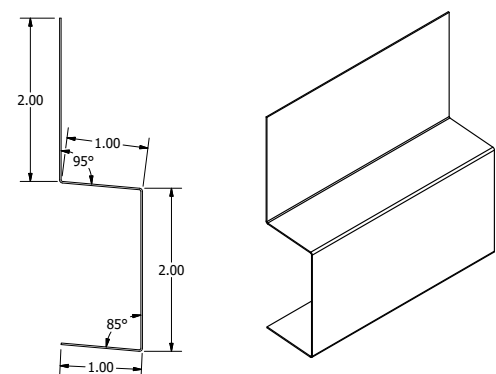
Substrate: Aluminum  
Finish: Coordinating color  
matches

### WEIGHT

Per Piece: 1.10 lbs.  
Per Carton: 11 lbs.  
Per Pallet: 100 lbs.

### PACKAGING

Per Carton: 10  
Per Pallet: 4000



## BRICK LEDGE FLASHING

*DRAWINGS SHOW ACTUAL DIMENSIONS*

Function: Flashing used above stone or brick sills when transitioning to a different cladding

Part Description: 2"x10' Brick Ledge Flash

### ACTUAL DIMENSIONS

Exposure: 2.38"  
 Overlap: N/A  
 Pieces per square: N/A  
 Length: 120"  
 Width: N/A  
 Height: 2.12"  
 Min. Thickness: 0.019"

### COLOR AVAILABILITY

Solid, DuoBlend Premium Accent, and Custom

### CONSTRUCTION

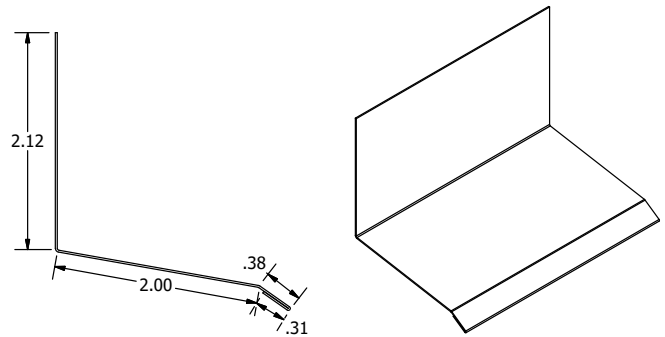
Substrate: Aluminum  
 Finish: Coordinating color matches  
 Other: N/A

### WEIGHT

Per Piece: 1.10 lbs.  
 Per Carton: 11 lbs  
 Per Pallet: 100 lbs.

### PACKAGING

Per Carton: 10  
 Per Pallet: 4000



## Z-FLASHING

*DRAWINGS SHOW ACTUAL DIMENSIONS*

Function: Protects top edge of horizontal panel joints against water penetration

Part Description: 7/16" x 10' Z Flash Sm Alum

### ACTUAL DIMENSIONS

Exposure: 0.31"  
 Overlap: N/A  
 Pieces per square: N/A  
 Length: 120"  
 Width: 0.44"  
 Height: 2.41"  
 Min. Thickness: 0.019"

### COLOR AVAILABILITY

Solid, DuoBlend Premium Accent, and Custom

### CONSTRUCTION

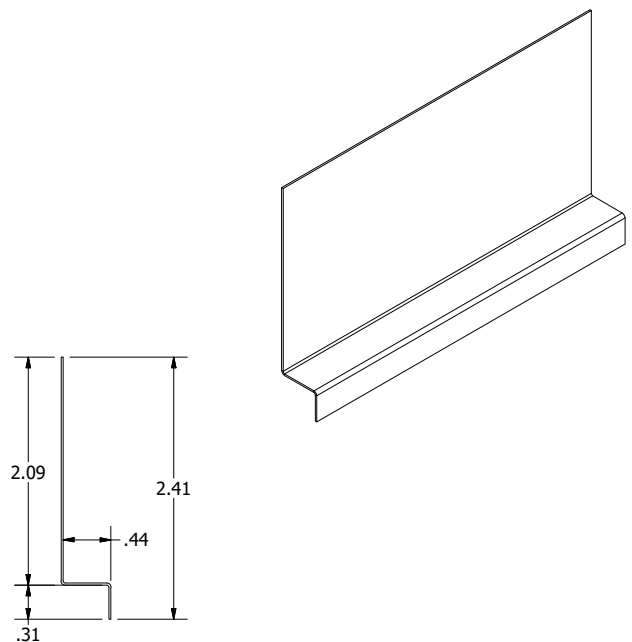
Substrate: Aluminum  
 Finish: Coordinating color matches  
 Other: N/A

### WEIGHT

Per Piece: 0.70 lbs.  
 Per Carton: 17.5 lbs.  
 Per Pallet: 735 lbs.

### PACKAGING

Per Carton: 25  
 Per Pallet: 1050



## J-CHANNEL

DRAWINGS SHOW ACTUAL DIMENSIONS

Function: Caps siding cuts in gable ends and sides and bottom of windows  
 Part Description: 7/8" J Chan Smooth 10'

### ACTUAL DIMENSIONS

Exposure: 0.63"  
 Overlap: N/A  
 Pieces per square: N/A  
 Length: 120"  
 Width: 0.88"  
 Height: 1.38"  
 Min. Thickness: 0.019"

### COLOR AVAILABILITY

Solid, DuoBlend Premium  
 Accent, and Custom

### CONSTRUCTION

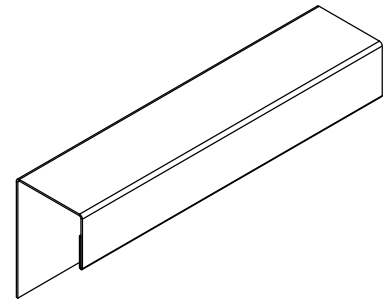
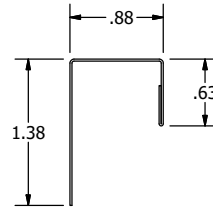
Substrate: Aluminum  
 Finish: Coordinating color  
 matches  
 Other: N/A

### WEIGHT

Per Piece: 0.78 lbs.  
 Per Carton: 19.5 lbs.  
 Per Pallet: N/A

### PACKAGING

Per Carton: 25  
 Per Pallet: 100



## TRIM COIL

Function: For bending custom metal accessories on site  
 Part Description: 24"x50' Smooth Trim Coil

### ACTUAL DIMENSIONS

Exposure: N/A  
 Overlap: N/A  
 Pieces per square: N/A  
 Length: 50'  
 Width: 24"  
 Height: N/A  
 Min. Thickness: 0.019"

### COLOR AVAILABILITY

See below for color  
 match chart

### CONSTRUCTION

Substrate: Aluminum  
 Finish: Coordinating  
 color matches

### WEIGHT

Per Piece: 25 lbs.  
 Per Carton: 25 lbs.  
 Per Pallet: 1200 lbs.

### PACKAGING

Per Carton: 1  
 Per Pallet: 25



COLOR	QE MATCH
Bordeaux	QE 662
Cascade	QE 659
Clay	QE 354
Coffee	QE 507
Emerald	QE 658
French Gray	QE 407
Glacier Fog	QE 660
Graphite	QE 414
Light Gray	QE 361
Midnight	QE 657
Mountain Lake	QE 364

COLOR	QE MATCH
Olive	QE 767
Onyx	QE 518
Oyster Shell	QE 509
Pelican	QE 355
Sand	QE 177
Seal	QE 358
Smoky Ash	QE 363
Terra Bronze	QE 511
Umber	QE 661
White	QE 503

COLOR	QE MATCH
Bedrock Accent	N/A
Canyon Accent	QE 655
Chestnut Accent	N/A
Denali Accent	N/A
Dune Accent	N/A
Elkhorn Accent	N/A
Honeycomb Accent	N/A

## 5" H-MOLDING

DRAWINGS SHOW ACTUAL DIMENSIONS

Function: H-moldings provide cover and concealment of the required expansion gap

Part Description: 5" H-molding WG 6"x3/8" LP

### ACTUAL DIMENSIONS

Exposure: 4.94"  
 Overlap: N/A  
 Pieces per square: 15.6  
 (Long wall - no openings)  
 Length: 4.94"  
 Width: 0.48"  
 Height: N/A  
 Min. Thickness: 0.019"

**COLOR AVAILABILITY**  
 Solid, DuoBlend Premium,  
 and Custom

### CONSTRUCTION

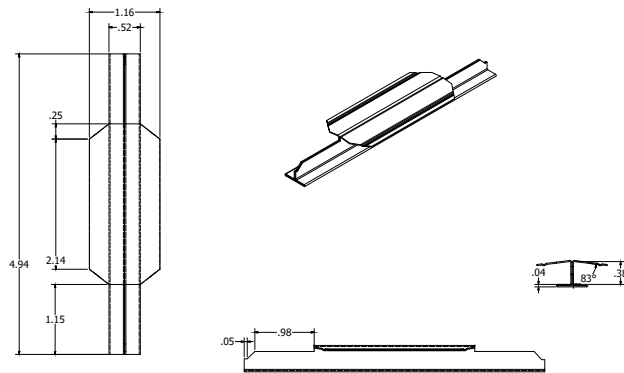
Substrate: Aluminum  
 Finish: Coordinating Color  
 Match  
 Other: N/A

### WEIGHT

Per Piece: 0.022 lbs.  
 Per Bag: 0.55 lbs.  
 Per Pallet: N/A

### PACKAGING

Per Bag: 25  
 Per Box: 100



## 7" H-MOLDING

DRAWINGS SHOW ACTUAL DIMENSIONS

Function: H-moldings provide cover and concealment of the required expansion gap

Part Description: 7" H-molding WG 8"x3/8" LP

### ACTUAL DIMENSIONS

Exposure: 6.94"  
 Overlap: N/A  
 Pieces per square: 10.8  
 (Long wall - no openings)  
 Length: 6.94"  
 Width: 0.48"  
 Height: N/A  
 Min. Thickness: 0.019"

**COLOR AVAILABILITY**  
 Solid, DuoBlend Premium,  
 and Custom

### CONSTRUCTION

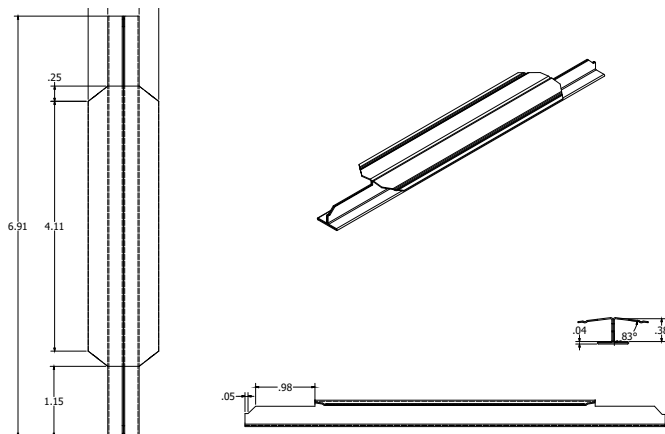
Substrate: Aluminum  
 Finish: Coordinating Color  
 Match  
 Other: N/A

### WEIGHT

Per Piece: 0.03 lbs.  
 Per Bag: 0.75 lbs.  
 Per Pallet: N/A

### PACKAGING

Per Bag: 25  
 Per Box: 100



## 11" H-MOLDING

DRAWINGS SHOW ACTUAL DIMENSIONS

Function: H-moldings provide cover and concealment of the required expansion gap

Part Description: 11" H-molding WG 12"x3/8" LP

### ACTUAL DIMENSIONS

Exposure: 10.94"  
 Overlap: N/A  
 Pieces per square: 7.2  
 (Long wall - no openings)  
 Length: 10.94"  
 Width: 0.48"  
 Height: N/A  
 Min. Thickness: 0.019"

**COLOR AVAILABILITY**  
 Solid, DuoBlend Premium,  
 and Custom

### CONSTRUCTION

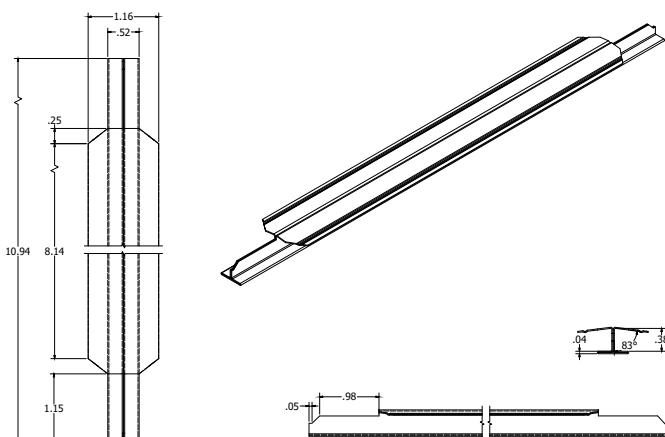
Substrate: Aluminum  
 Finish: Coordinating Color  
 Match  
 Other: N/A

### WEIGHT

Per Piece: 0.04 lbs.  
 Per Bag: 1 lbs.  
 Per Pallet: N/A

### PACKAGING

Per Bag: 25  
 Per Box: 100



**UNIVERSAL RIGIDMOUNT™**

*DRAWINGS SHOW ACTUAL DIMENSIONS*

Function: Designed for mounting exterior lighting; intake/exhaust vents  
 Part Description: RigidMount Universal

**ACTUAL DIMENSIONS**

Exposure: N/A  
 Overlap: N/A  
 Pieces per square: N/A  
 Length: N/A  
 Width: 8.25"  
 Height: 10.31"  
 Min. Thickness: 0.91"

**COLOR AVAILABILITY**

Solid, DuoBlend Premium,  
 and Custom

**CONSTRUCTION**

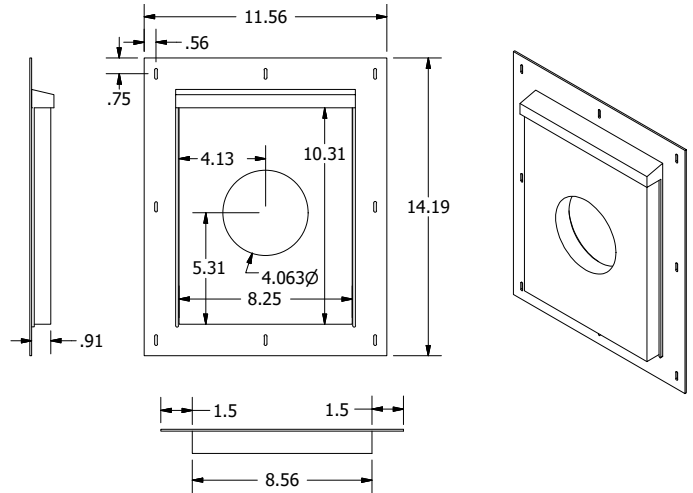
Substrate: Strand  
 LP® SmartSide®  
 Finish: Diamond Kote®  
 Other: ABS Back Plate

**WEIGHT**

Per Piece: 2.33 lbs.  
 Per Carton: 23.33 lbs.  
 Per Pallet: N/A

**PACKAGING**

Per Carton: 10  
 Per Pallet: N/A



**BLANK UNIVERSAL RIGIDMOUNT™**

*DRAWINGS SHOW ACTUAL DIMENSIONS*

Function: Multi-purpose mounting surface; field modify as needs require  
 Part Description: RigidMount Universal Blank

**ACTUAL DIMENSIONS**

Exposure: N/A  
 Overlap: N/A  
 Pieces per square: N/A  
 Length: N/A  
 Width: 8.25"  
 Height: 10.313"  
 Min. Thickness: 0.91"

**COLOR AVAILABILITY**

Solid, DuoBlend Premium,  
 and Custom

**CONSTRUCTION**

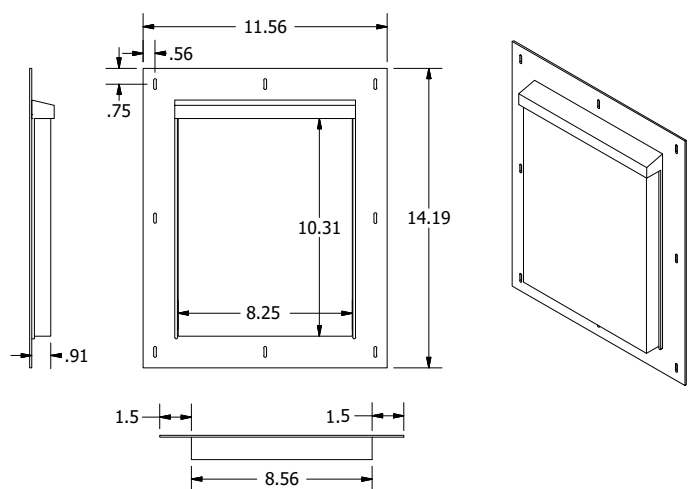
Substrate: Strand  
 LP® SmartSide®  
 Finish: Diamond Kote®  
 Other: ABS Back Plate

**WEIGHT**

Per Piece: 2.5 lbs.  
 Per Carton: 25 lbs.  
 Per Pallet: N/A

**PACKAGING**

Per Carton: 10  
 Per Pallet: N/A



## UL ELECTRICAL RIGIDMOUNT™

DRAWINGS SHOW ACTUAL DIMENSIONS

Function: For mounting outlets in new construction situations

Part Description: RigidMount UL Electrical

### ACTUAL DIMENSIONS

Exposure: N/A  
 Overlap: N/A  
 Pieces per square: N/A  
 Length: N/A  
 Width: 5.94"  
 Height: 6.94"  
 Min. Thickness: 1.45"

### COLOR AVAILABILITY

Solid, DuoBlend Premium, and Custom

### CONSTRUCTION

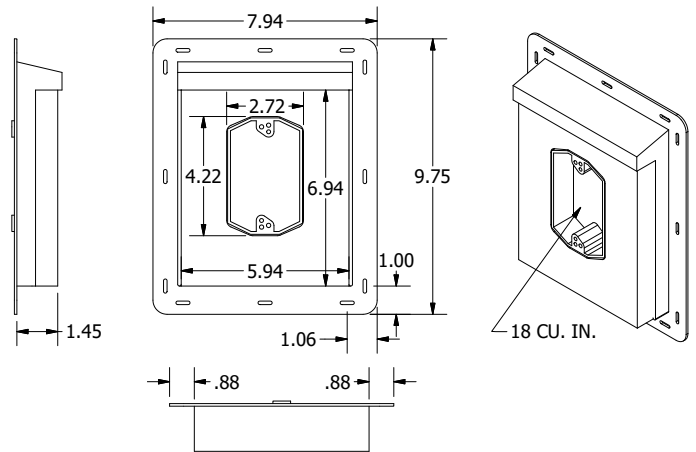
Substrate: Strand LP® SmartSide®  
 Finish: Diamond Kote®  
 Other: ABS Back Plate

### WEIGHT

Per Piece: 1.4 lbs.  
 Per Carton: 14 lbs.  
 Per Pallet: N/A

### PACKAGING

Per Carton: 10  
 Per Pallet: N/A



## RECEPTACLE RIGIDMOUNT™

DRAWINGS SHOW ACTUAL DIMENSIONS

Function: For mounting outlets in remodel situations

Part Description: RigidMount Receptacle

### ACTUAL DIMENSIONS

Exposure: N/A  
 Overlap: N/A  
 Pieces per square: N/A  
 Length: N/A  
 Width: 5.88"  
 Height: 7.69"  
 Min. Thickness: 0.91"

### COLOR AVAILABILITY

Solid, DuoBlend Premium, and Custom

### CONSTRUCTION

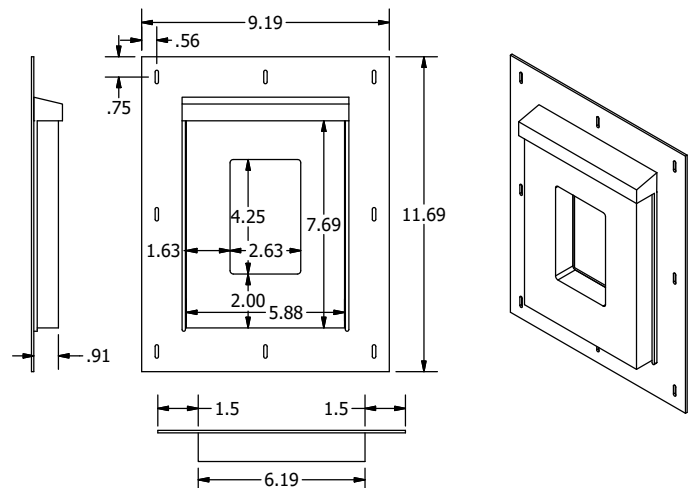
Substrate: Strand LP® SmartSide®  
 Finish: Diamond Kote®  
 Other: ABS Back Plate

### WEIGHT

Per Piece: 1.45 lbs.  
 Per Carton: 14.5 lbs.  
 Per Pallet: N/A

### PACKAGING

Per Carton: 10  
 Per Pallet: N/A



**OVERSIZED RIGIDMOUNT™**

*DRAWINGS SHOW ACTUAL DIMENSIONS*

Function: Designed for mounting large exterior lighting; intake/exhaust vents  
 Part Description: RigidMount Oversize

**ACTUAL DIMENSIONS**

Exposure: N/A  
 Overlap: N/A  
 Pieces per square: N/A  
 Length: N/A  
 Width: 8.25"  
 Height: 14.3"  
 Min. Thickness: 0.91"

**COLOR AVAILABILITY**

Solid, DuoBlend Premium,  
 and Custom

**CONSTRUCTION**

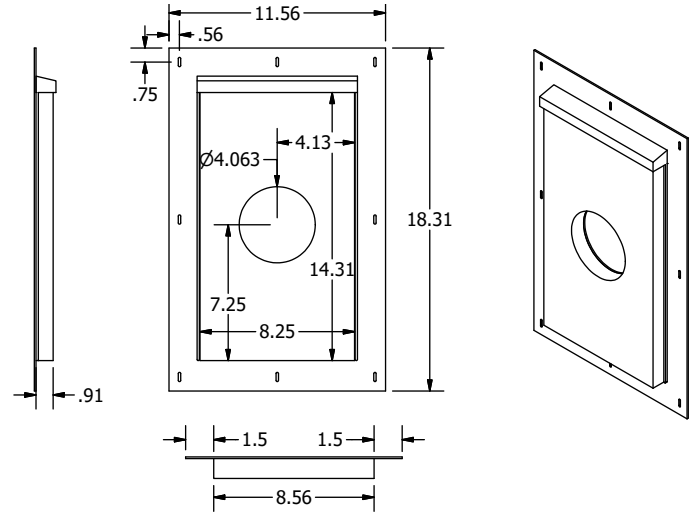
Substrate: Strand  
 LP® SmartSide®  
 Finish: Diamond Kote®  
 Other: ABS Back Plate

**WEIGHT**

Per Piece: 3.33 lbs.  
 Per Carton: 33.3 lbs.  
 Per Pallet: N/A

**PACKAGING**

Per Carton: 10  
 Per Pallet: N/A



**SPLIT RIGIDMOUNT™**

*DRAWINGS SHOW ACTUAL DIMENSIONS*

Function: Split design for installation around water, gas, data/network boxes, and electrical conduits  
 Part Description: RigidMount Split Block

**ACTUAL DIMENSIONS**

Exposure: N/A  
 Overlap: N/A  
 Pieces per square: N/A  
 Length: N/A  
 Width: 5.88"  
 Height: 7.69"  
 Min. Thickness: 0.91"

**COLOR AVAILABILITY**

Solid, DuoBlend Premium,  
 and Custom

**CONSTRUCTION**

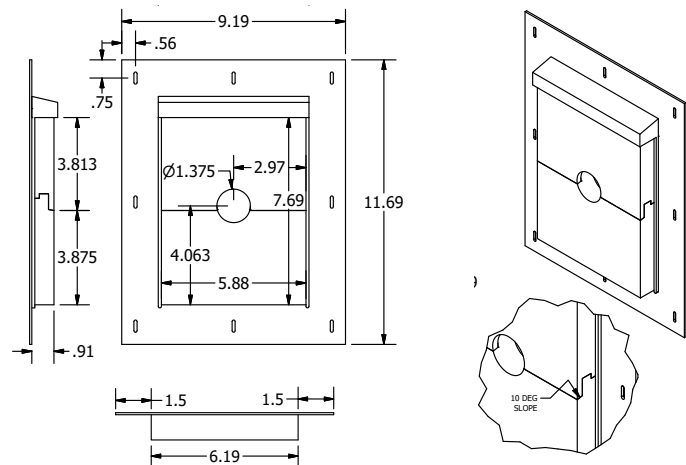
Substrate: Strand  
 LP® SmartSide®  
 Finish: Diamond Kote®  
 Other: ABS Back Plate

**WEIGHT**

Per Piece: 1.53 lbs.  
 Per Carton: 15.3 lbs.  
 Per Pallet: N/A

**PACKAGING**

Per Carton: 10  
 Per Pallet: N/A



**PERSONALIZED RIGIDMOUNT™**

*DRAWINGS SHOW ACTUAL DIMENSIONS*

Function: Displays black or white personalized address numbers/letters; Limit of 6 characters

Part Description: RigidMount Personalized

**ACTUAL DIMENSIONS**

Exposure: N/A  
 Overlap: N/A  
 Pieces per square: N/A  
 Length: N/A  
 Width: 15.88"  
 Height: 8.8"  
 Min. Thickness: 0.91"

**COLOR AVAILABILITY**

Solid, DuoBlend Premium, and Custom

**CONSTRUCTION**

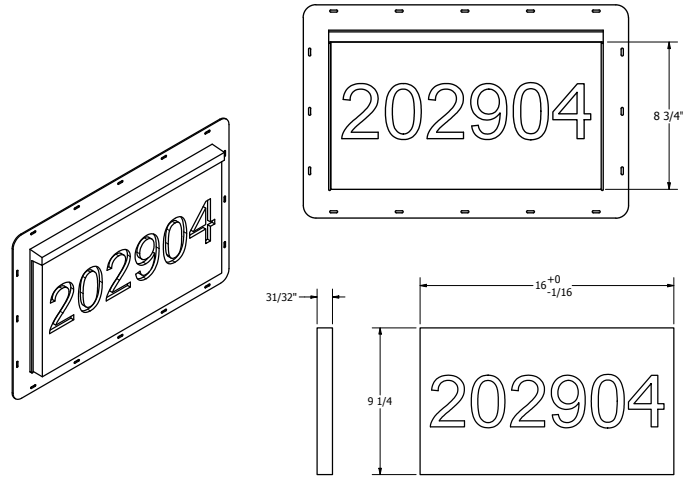
Substrate: Strand  
 LP® SmartSide®  
 Finish: Diamond Kote®  
 Other: ABS Back Plate

**WEIGHT**

Per Piece: 3.33 lbs.  
 Per Carton: 33.3 lbs.  
 Per Pallet: N/A

**PACKAGING**

Per Carton: 10  
 Per Pallet: N/A



**BLANK HORIZONTAL RIGIDMOUNT™**

*DRAWINGS SHOW ACTUAL DIMENSIONS*

Function: Designed to allow for easy pass through for HVAC piping or any mix of wall utilities

Part Description: RigidMount Blank Horizontal

**ACTUAL DIMENSIONS**

Exposure: N/A  
 Overlap: N/A  
 Pieces per square: N/A  
 Length: N/A  
 Width: 15.88"  
 Height: 8.8"  
 Min. Thickness: 0.91"

**COLOR AVAILABILITY**

Solid, DuoBlend Premium, and Custom

**CONSTRUCTION**

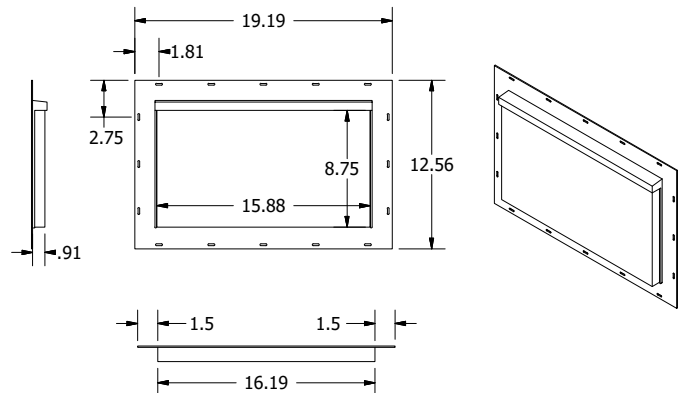
Substrate: Strand  
 LP® SmartSide®  
 Finish: Diamond Kote®  
 Other: ABS Back Plate

**WEIGHT**

Per Piece: 3.33 lbs.  
 Per Carton: 33.3 lbs.  
 Per Pallet: N/A

**PACKAGING**

Per Carton: 10  
 Per Pallet: N/A





## METAL STARTER STRIP

DRAWINGS SHOW ACTUAL DIMENSIONS

Function: Used to start first course of Lap Siding with RigidStack and Shakes with RigidStack

Part Description: Starter Steel 2-1/2" 10' Galv 25/Ct

### ACTUAL DIMENSIONS

Exposure: N/A  
 Overlap: N/A  
 Pieces per square: N/A  
 Length: 120"  
 Width: N/A  
 Height: 2.5"  
 Min. Thickness: 0.013"

### COLOR AVAILABILITY

N/A

### CONSTRUCTION

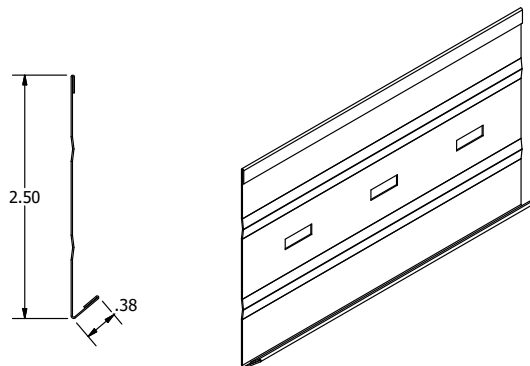
Substrate: Steel  
 Finish: Galvanized  
 Other: N/A

### WEIGHT

Per Piece: 1.4 lbs.  
 Per Carton: 35 lbs.  
 Per Pallet: 2520 lbs.

### PACKAGING

Per Carton: 25  
 Per Pallet: 1800



## 8" SOLID STARTER BOARD

DRAWINGS SHOW ACTUAL DIMENSIONS

Function: Transition piece between the ground and the first course of siding for installation requirements

Part Description: 1"x8"-16' TruExterior® Starter

### ACTUAL DIMENSIONS

Exposure: 5.81"  
 Overlap: 1.125"  
 Pieces per square: N/A  
 Length: 16'  
 Width: 7.25"  
 Height: N/A  
 Min. Thickness: .75"

### COLOR AVAILABILITY

Solid and Custom

### CONSTRUCTION

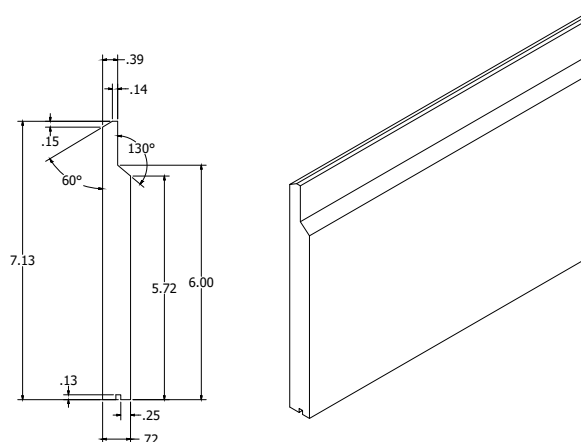
Substrate: TruExterior®  
 Fly Ash  
 Finish: Diamond Kote®  
 Other: N/A

### WEIGHT

Per Piece: 31.52 lbs  
 Per Pack: 63.04 lbs  
 Per Pallet: 1512.96 lbs

### PACKAGING

Per Pack: 2  
 Per Pallet: 24



## 8" DUOBLEND STARTER BOARD

DRAWINGS SHOW ACTUAL DIMENSIONS

Function: Transition piece between the ground and the first course of siding for installation requirements

Part Description: Starter 1"x8"-16' Certatrim

### ACTUAL DIMENSIONS

Exposure: 5.81"  
 Overlap: 1.125"  
 Pieces per square: N/A  
 Length: 192"  
 Width: 7.25"  
 Height: N/A  
 Min. Thickness: 0.75"

### COLOR AVAILABILITY

DuoBlend Premium

### CONSTRUCTION

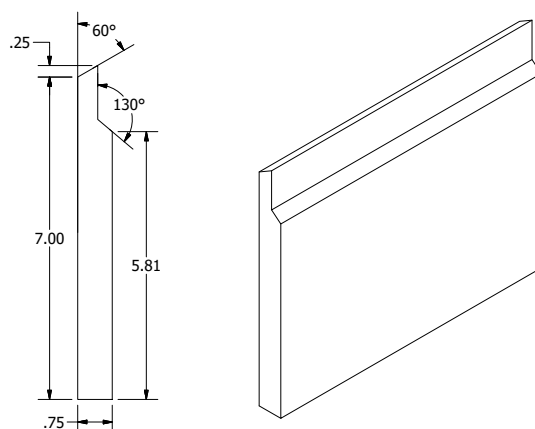
Substrate: PVC  
 Finish: Diamond Kote®  
 Other: N/A

### WEIGHT

Per Piece: 23.61 lbs.  
 Per Pack: 47.22 lbs.  
 Per Pallet: 1699.92 lbs.

### PACKAGING

Per Pack: 2  
 Per Pallet: 72



**1-3/4" RING SHANK HAND DRIVE NAILS**

*DRAWINGS SHOW ACTUAL DIMENSIONS*

Function: Recommended for hand fastening of Rabbeted Nail Fin Corners and Trim

Part Description: 1-3/4" DK Nail RS 5# Box R-104A

**ACTUAL DIMENSIONS**

Drive Type: Hand  
 Shank Design: Ring  
 Tensile Strength: N/A  
 Shear Strength: N/A  
 Length: 1.72"  
 Head: 0.375"  
 Gauge: 0.120"

**CONSTRUCTION**

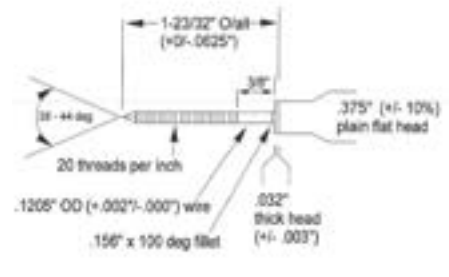
Substrate: Steel  
 Finish: Stormguard®  
 Double Hot-Dip  
 Galvanized ASTM A153  
 Compliant

**WEIGHT**

Per Box: 5 lbs.  
 Per Carton: 30 lbs.  
 Per Pallet: N/A

**PACKAGING**

Per Box: 780  
 Per Carton: 6 Bx./Ct.  
 Per Pallet: N/A



**COLOR AVAILABILITY**

N/A

**2-1/2" PAINTED NAILS**

*DRAWINGS SHOW ACTUAL DIMENSIONS*

Function: Recommended for face nailing Diamond Kote®

Part Description: 2-1/2" 5# 8D DK Nails

**ACTUAL DIMENSIONS**

Drive Type: Hand  
 Shank Design: Plain  
 Tensile Strength: N/A  
 Shear Strength: N/A  
 Length: 2.47" - 8D  
 Head: 0.281"  
 Gauge: 0.113"

**CONSTRUCTION**

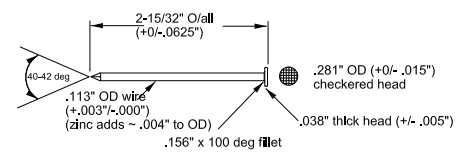
Substrate: Steel  
 Finish: Dip painted color  
 match and Stormguard®  
 Double Hot-Dip  
 Galvanized Astm A153  
 Compliant

**WEIGHT**

Per Box: 5 lbs.  
 Per Carton: 30 lbs.  
 Per Pallet: N/A

**PACKAGING**

Per Box: 615  
 Per Carton: 6 Bx./Ct.  
 Per Pallet: N/A



**COLOR AVAILABILITY**

Solid and DuoBlend  
 Premium Accent

## CORTEX SCREW & PLUGS

Function: For the installation of Starter Board

Part Description: Cortex White WG 50/250/750 Lf/Bx Screw & Plug

### ACTUAL DIMENSIONS

Drive Type:  
#20 Torx® Ttap®  
Shank Design:  
Dual Lead  
12 Threads/Inch  
Tensile Strength:  
1,694 Lbf  
Shear Strength:  
1,861 Lbf  
Length: 2"  
Shank Size: #9

### COLOR AVAILABILITY

N/A

### CONSTRUCTION

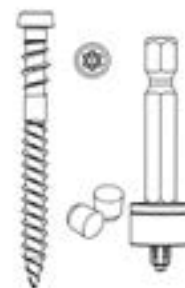
Substrate:  
Carbon Steel  
Other: Plug

### WEIGHT

Per Pound: N/A  
Per Box: N/A  
Per Carton: N/A  
Per Pallet: N/A

### PACKAGING

Per Box: N/A  
Per Carton: N/A



## 2-1/2" 15° PLASTIC COIL NAILS

Function: Fastening Diamond Kote® siding and trim products

Part Description: Collated DK Nail 2-1/2" RS CLCEM117A 3.2M/Ct 64/PT

### ACTUAL DIMENSIONS

Drive Type: PNEUMATIC  
Shank Design: Ring  
Tensile Strength:  
107,692 Lbf  
Shear Strength: 114 Lbf  
Length: 2-15/32" OAL  
Head: 0.219"  
Gauge: 0.092"

### COLOR AVAILABILITY

N/A

### CONSTRUCTION

Substrate: Medium  
Carbon Steel  
Finish: Double Hot-Dip  
Galvanized

### WEIGHT

Per Box: N/A  
Per Carton: 17 lbs.  
Per Pallet: N/A

### PACKAGING

Per Box: N/A  
Per Carton: 3,200  
Per Pallet: N/A



### MOISTURE MANAGEMENT SYSTEM

#### 9'X100' 5D BUILDING WRAP

Function: A cross-woven polyolefin building wrap designed with an enhanced contour to facilitate the drainage of water that penetrates exterior cladding.

Part Description: 9'x100' Diamond Kote 5D Building Wrap 60/PT

#### 10'X100' 5D BUILDING WRAP

Function: A cross-woven polyolefin building wrap designed with an enhanced contour to facilitate the drainage of water that penetrates exterior cladding.

Part Description: 10'x100' Diamond Kote 5D Building Wrap 60/PT

#### HOUSEWRAP TAPE

Function: An aggressive joint sealing tape well-suited for reducing air infiltration through wall systems.

Part Description: 1-7/8"x55yd Diamond Kote Housewrap Tape 24 RL/CT

#### 4"X75' BUILDING TAPE

Function: A high performance window and door flashing tape designed to be applied down to -20°F(-28°C) without the use of primer or mechanical fasteners on most substrates.

Part Description: 4"x75' DK HP Building Flashing Tape 12RL/CT

#### 6"X75' BUILDING TAPE

Function: A high performance window and door flashing tape designed to be applied down to -20°F(-28°C) without the use of primer or mechanical fasteners on most substrates.

Part Description: 6"x75' DK HP Building Flashing Tape 8RL/CT

#### 6"X50' FLEX TAPE

Function: A cold applied self-adhering membrane composed of a flexible cross laminated High Density Polyethylene creped film coated with a layer of rubberized asphalt.

Part Description: 6"x50' Diamond Kote Flex Tape 2RL/CT

### TOUCH-UP

#### 8OZ TOUCH-UP BOTTLE

Kit Includes: One 8oz bottle of paint, one sponge applicator.

Part Description: 8oz DK Touch-Up Bottle w/ Brush

#### QUART TOUCH-UP KIT

Kit Includes: One quart of paint, two sponge applicators, one 5-pack of touch-up pens, one touch-up roller, one 3-pack of replacement touch-up roller heads.



Part Description: Quart DK Touch-Up Kits

#### GALLON TOUCH-UP KIT

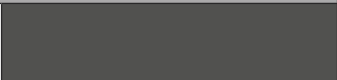
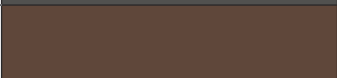
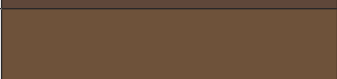
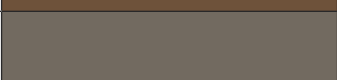
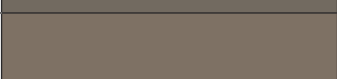
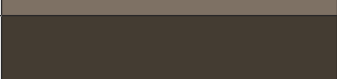

Kit Includes: One gallon of paint, two sponge applicators, one 5-pack of touch-up pens, one touch-up roller, one 3-pack of replacement touch-up roller heads.

Part Description: Gallon DK Touch-Up Kits

**COLOR AVAILABILITY**

SOLID	
Bordeaux	
Cascade	
Clay	
Coffee	
Emerald	
French Gray	
Glacier Fog	
Graphite	
Light Gray	
Midnight	
Mountain Lake	
Olive	
Onyx	
Oyster Shell	
Pelican	
Sand	
Seal	
Smoky Ash	
Terra Bronze	
Umber	
White	

DUOBLEND PREMIUM	
Bedrock	
Canyon	
Chestnut	
Denali	
Dune	
Elkhorn	
Honeycomb	

DUOBLEND PREMIUM ACCENTS	
Bedrock Accent	
Canyon Accent	
Chestnut Accent	
Denali Accent	
Dune Accent	
Elkhorn Accent	
Honeycomb Accent	

*Actual color may vary from the color shown.  
Always refer to a product sample for accurate color.*







---

Diamond Kote® is the next generation Siding System that delivers a brilliant home transformation, guaranteed to stand the test of time.

Due to limitations of the printing process, actual color may vary from the color shown. **Always refer to a product sample for accurate color.**

Diamond Kote® Siding System reserves the right to change the product features and specifications without prior notice. Photography herein may not represent current product offering. Diamond Kote® is a registered trademark of Wausau Supply Co.

**Cal. Prop 65 Warning:** This product can expose you to chemicals known to the State of California to cause cancer, birth defects or other reproductive harm. For more information go to [www.P65Warnings.ca.gov](http://www.P65Warnings.ca.gov)