

THE J-CANNEL TRIM SERIES  
DESIGNED FOR PREMIUM VINYL SIDING



NOW AVAILABLE:  
**INSIDE CORNER**





**J-QUICK CORNERS**  
One-piece corners designed for fast installs with premium siding

**RAMS CROWN**  
Perfectly placed in the angle of the frieze and plancier

**J-CASING**  
Single-piece trim, designed to work with premium vinyl siding

**AZEK CROWN MOULD**  
Add a finishing touch of detail with decorative crown moulding

**CLASSIC AZEK TRIM**  
Used as fascia

**CLASSIC AZEK TRIM**  
Used as porch and column wraps

*"These products save time on install, eliminate finish nail holes, eliminate the need for touch up and caulking, all while adding an eye popping, enduring curb appeal to homeowners and builders that no other product can stand up to."*

**Kelly Wysienki-Carolina Pro Exteriors, LLC**

# THE AZEK® J-CHANNEL TRIM SERIES: A CLOSER LOOK

AZEK J-Channel Trim Series is a suite of products, including J-Casings and J-Quick Corners, expressly designed to complement premium vinyl siding. Here's why it appeals to contractors and homeowners.



## Enhanced Aesthetics

Architectural designs and seamless finishing elevate beauty



## Easy Install

Eliminates extra steps in the process and saves time



## Cost Savings

Faster installation allows for greater work efficiency and labor savings



## Low-Maintenance

Long-term durability eliminates the need for painting or other maintenance

## PREMIUM VINYL SIDING NOW HAS A FASTER, EASIER, TRIM SOLUTION

The J-Channel Trim Series from AZEK Building Products beautifully complements any style of siding for a fresh, clean finished look. Our trim is easy to install, saving you time and money. Add a new level of aesthetics that's durable, protected and flexible. Easily add AZEK Mouldings for a personal touch to any installation for added curb appeal.

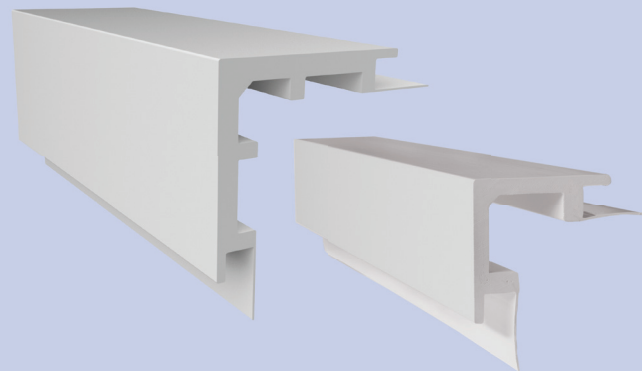


2" x 1-1/4" Brick Mould J-Casing



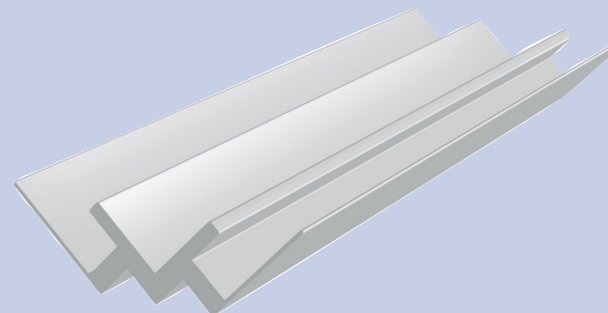
1 x 6 J-Casing (1-1/8" x 5-1/2" Actual)

1 x 4 J-Casing (1-1/8" x 3-1/2" Actual)



6 x 6 J-Quick Corner Outside (5-1/2" x 5-1/2" Actual)

4 x 4 J-Quick Corner Outside (3-1/2" x 3-1/2" Actual)



3 x 3 J-Quick Corner Inside (2-1/2" x 2-1/2" Actual)

# AZEK J-CHANNEL SERIES

## J-CASING

AZEK® J-Casing offers the most beautiful and seamless transition between your siding and trim. These trims have also been engineered to reduce labor, the need for field-applied paint, and extra j-channels.



### PROBLEM— COMMON VINYL CASING:

- Requires the purchase and installation of J-channel
- Requires additional cost to paint trim
- Unattractive appearance lessens curb appeal



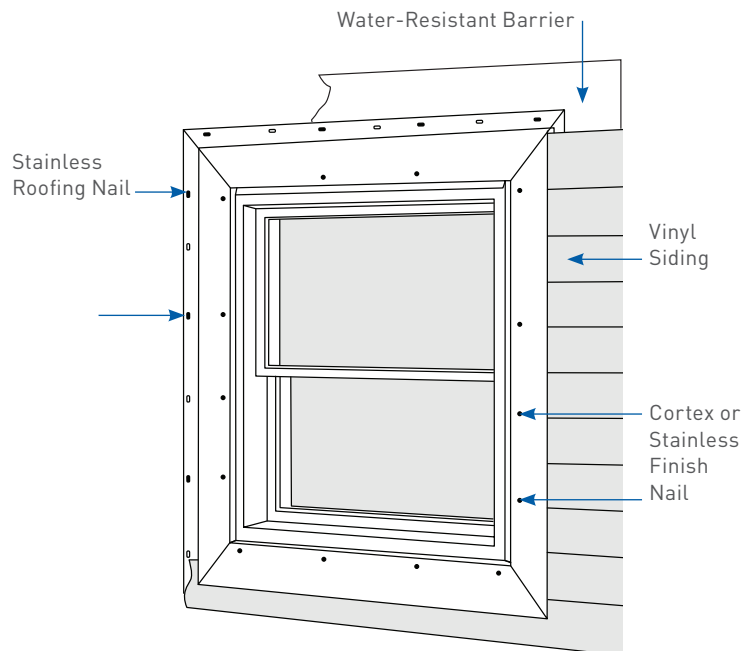
### SOLUTION— AZEK J-CASING:

- Integrated J-Casing eliminates extra purchases and installation
- Paint not required for protection
- Beautifully designed to complement its surroundings



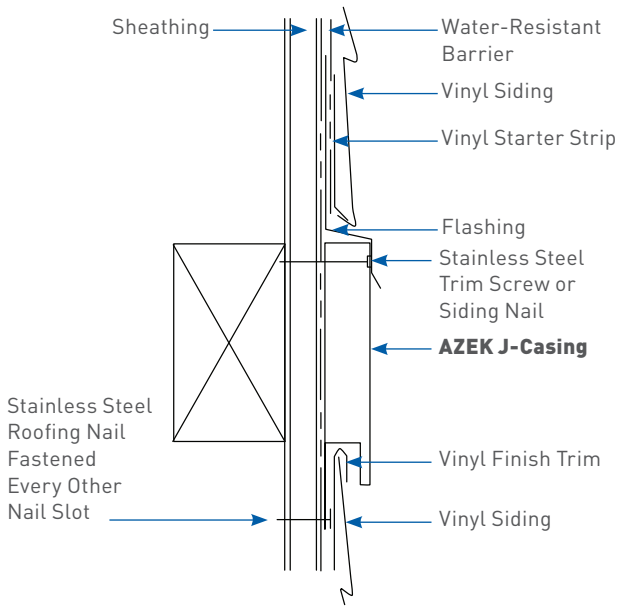
## WINDOW CASING

Clean, uniform details can really add to the elegance and upgrade the curb appeal of a home. AZEK J-Channel around window frames allows for vinyl siding to beautifully and seamlessly transition into the window casing without additional pieces or painting. Save time on installation and eliminate purchasing extra pieces for a look that compliments its surroundings.



NOTE: Follow your window/door manufacturer's installation instructions for caulking guidance between window and trim.

## BANDBOARD



## AZEK J-CASING—BANDBOARD

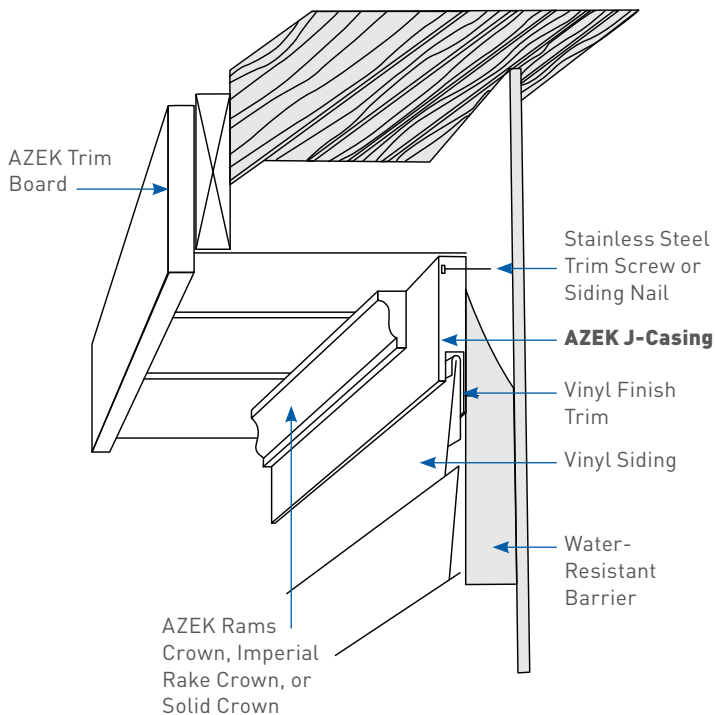


## COMMON—BANDBOARD



## FRIEZE

AZEK® J-Casings can be used as a frieze to finish your siding where it meets your soffits. Installing AZEK J-Casing as a frieze board is easy, adds beauty, personality and eliminates the need for painting over time.



## AZEK J-CASING—FRIEZE APPLICATION



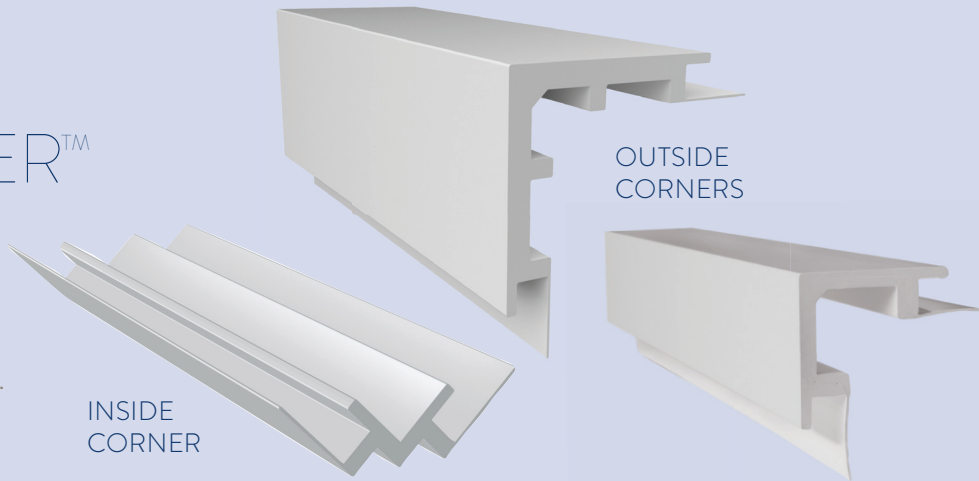
## COMMON VINYL FRIEZE



## AZEK J-CANNEL SERIES

# J-QUICK CORNER™

This corner is installed with hidden fasteners, completely eliminating the need for excessive face nailing and touch-up. It is also versatile enough to be used with multiple types of sidings.

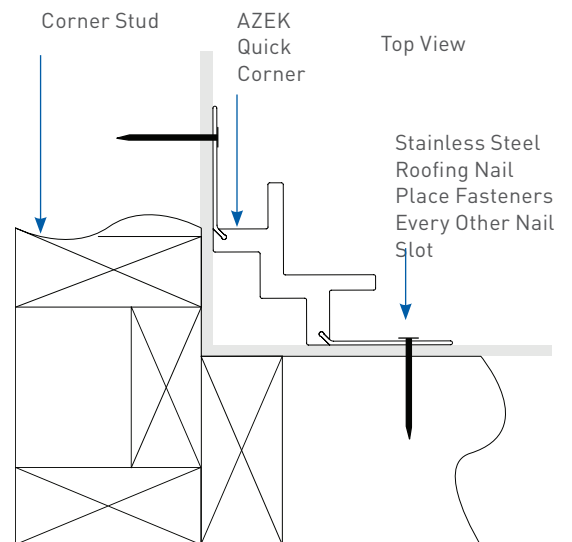


### PROBLEM— COMMON VINYL CORNER:

- Complicated installation requires combining two pieces of trim to make outside corner
- Requires the purchase and installation of additional j-channel
- Unattractive appearance lessens curb appeal



### INSIDE CORNER INSTALLATION

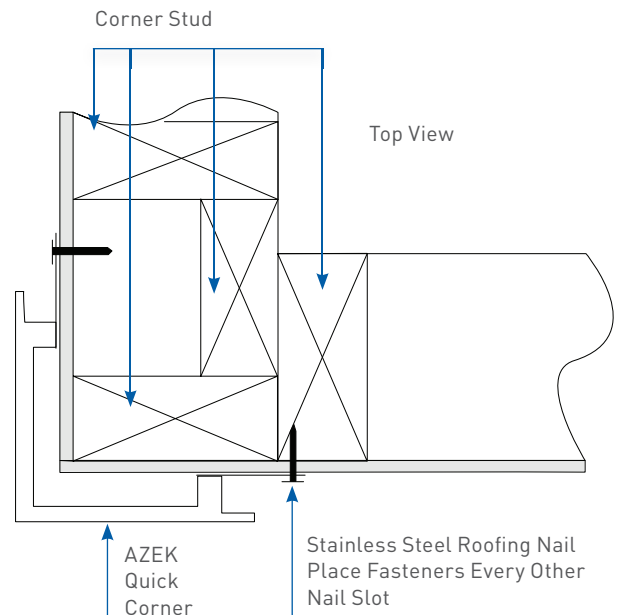


### SOLUTION— AZEK J-QUICK CORNER:

- One-piece cornerboard with integrated j-channel simplifies installation
- Paint not required for protection
- Single, continuous corner piece gracefully joins siding to trim



### OUTSIDE CORNER INSTALLATION



# COMPLEMENTARY PRODUCTS

AZEK Trim and Mouldings come in a number of architectural designs that make it easy to add character or special finishing details to your projects. Dress up any application with the crisp, architectural detailing of our high-performance, low-maintenance AZEK® Trim and Moulding.

Learn more at [AZEKexteriors.com](https://azekeexteriors.com)

## CROWN MOULDING

AZEK solid crown mouldings are the perfect complement to the AZEK J-Channel Trim Series. These crown mouldings easily add elegance, character, and personality to any window, door, or frieze when applied over AZEK Trim. Installs with a stainless steel finish nail and can be finished with the AZEK Nail Eraser.

<https://azekeexteriors.com/products/moulding/crowns>

## COLUMN WRAP

This easy-to-install 3-plus-1 column wrap profile saves time and installation costs. Three connected panels and a fourth “locking” panel fit easily and securely around a structural support with press-fit seams and clean corners.

## LIFETIME LIMITED WARRANTY

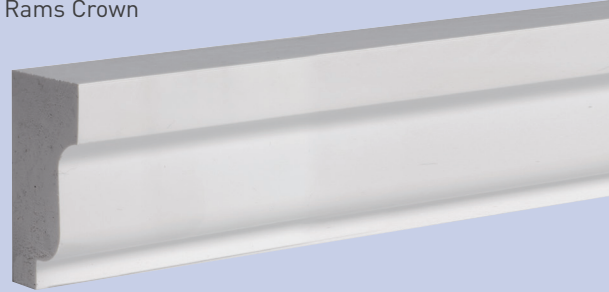


**Guaranteed Against:**

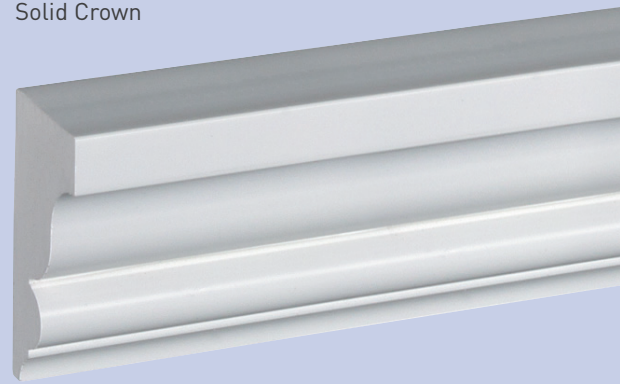
- Rotting
- Splintering
- Splitting
- Delaminating
- Swelling
- Warping



Rams Crown



Solid Crown



Imperial Rake Crown



4 x 4, 6 x 6, 8 x 8 Column Wrap



The J-Channel Trim Series is compatible with vinyl lap, vinyl shake, fiber cement, and wood composite siding products.

Learn more at [AZEKexteriors.com/products/moulding/casings](https://www.AZEKexteriors.com/products/moulding/casings)

1330 W Fulton Street, Suite #350 Chicago, IL 60607

© 2019 AZEK Building Products LIT-JCHANNEL 11/19

