

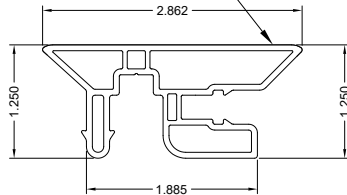


# CHAMCLAD®

TRANSFORMING SPACES

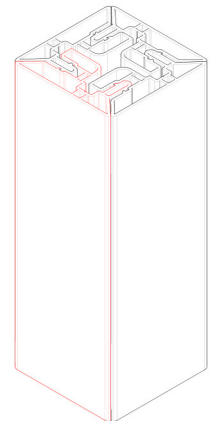
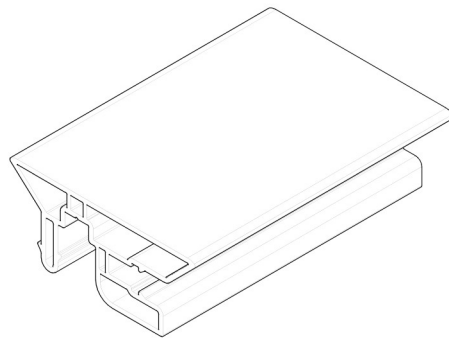
CHAMCLAD  
12810 170 ST. NW  
EDMONTON, AB T5V 0A6  
PHONE: (780) 454-4430  
www.chamclad.com

LAMINATED PART

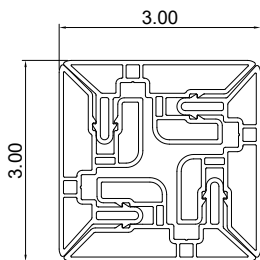


**C6018**

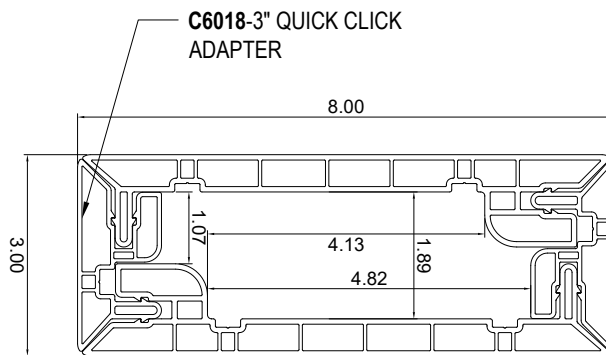
PROFILE DETAIL



3" x 3"



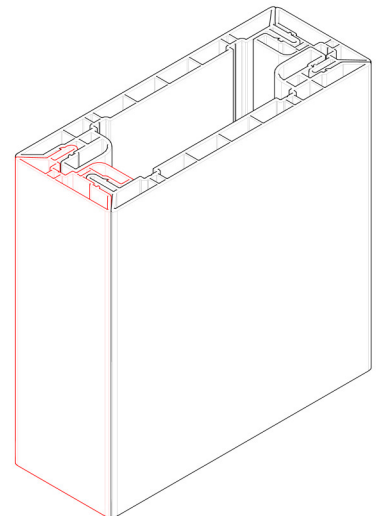
3" x 3"



ASSEMBLY DETAIL

3" x 8"

CAN BE C5961,  
C5960 or C5953



PART #:  
**C6018**

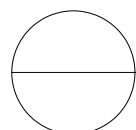
SPECIFICATIONS:  
**MATERIAL:** RECYCLED RIGID PVC  
**AVAILABLE LENGTHS:** 10', 20'

**MANUFACTURER NOTES:**

1. TOLERANCE ON ALL CUT LENGTHS TO BE  $\pm 0.250"$ .
2. PROFILE LENGTHS MUST BE CUT SQUARE AT BOTH ENDS.
3. FASTENERS MUST BE CHAMCLAD UNIVERSAL SCREWS OR EQUIVALENT WITH #8 LOW PROFILE HEAD, 1 1/2" LENGTH TRUSS HEAD, STAINLESS STEEL OR ZINC COATED WITH 1/8" THREADLESS SHAFT BENEATH SCREW HEAD.

**NOTES:**

1. INSTALLATION TO BE COMPLETED IN ACCORDANCE WITH MANUFACTURER'S SPECIFICATIONS.
2. DO NOT SCALE DRAWING.
3. THIS DRAWING IS INTENDED FOR USE BY ARCHITECTS, ENGINEERS, CONTRACTORS, CONSULTANTS AND DESIGN PROFESSIONALS FOR PLANNING PURPOSES ONLY. THIS DRAWING MAY NOT BE USED FOR CONSTRUCTION.
4. ALL INFORMATION CONTAINED HEREIN WAS CURRENT AT THE TIME OF DEVELOPMENT BUT MUST BE REVIEWED AND APPROVED BY THE PRODUCT MANUFACTURER TO BE CONSIDERED ACCURATE.
5. CONTRACTOR'S NOTE: FOR PRODUCT AND COMPANY INFORMATION VISIT [www.CADdetails.com/info](http://www.CADdetails.com/info) AND ENTER REFERENCE NUMBER 5418-019.



**EXTERIOR/INTERIOR**

3" QUICK CLICK ADAPTER