

FAIRWAY RAILING™

BY  **Envision**
OUTDOOR LIVING PRODUCTS

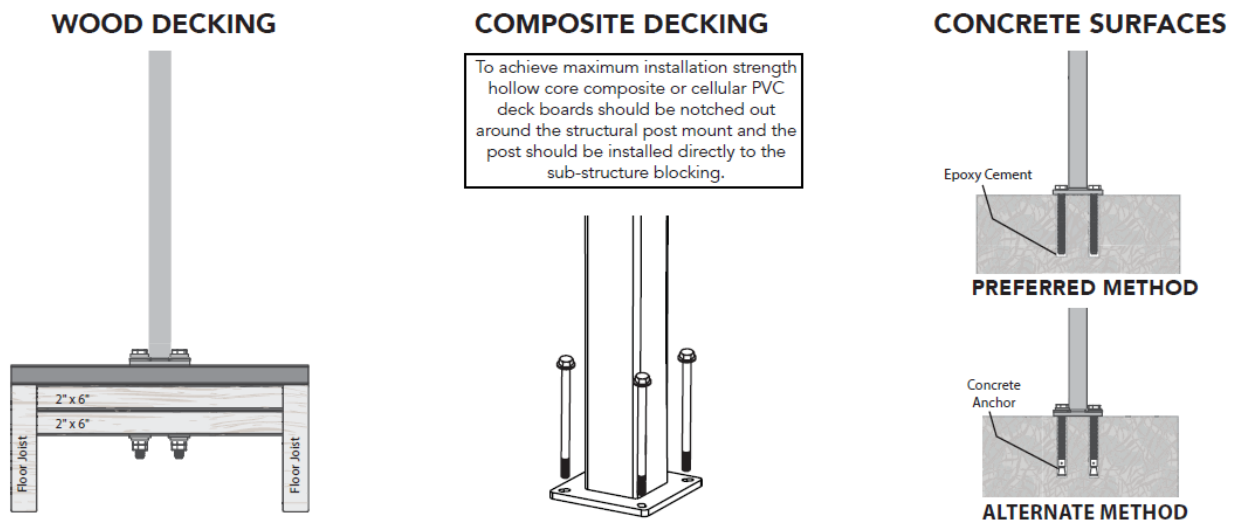
S110 Steel Level Panel Installation Instructions

NOTE: Fairway Architectural Railing Solutions will not be held liable for incorrect or unsafe installations by installer. It is the installer's responsibility to secure proper building permits, review local codes and safety needs and meet or exceed them. The instructions provided by Fairway are a guide and may not account for every special circumstance. The installer must identify and execute the installation approach that is appropriate for every application

STEP 1 - Install S110 Flanged Steel Post* for Wood and Composite Decking, and Concrete Surface *(S110 steel flanged post, cap & trim kit sold separately from level panel.)*

- Determine placement of post on deck or concrete surface. Set post in place and mark mounting holes.
- Mount post to surface using one of the options and suggested mounting hardware pictured below.
NOTE: Installer must determine the proper mounting hardware *(sold separately)* based on application.
- Check fit of rail between mounting surfaces.

NOTE: Wood posts can be substituted for steel posts. *(Installation instructions not included.)*

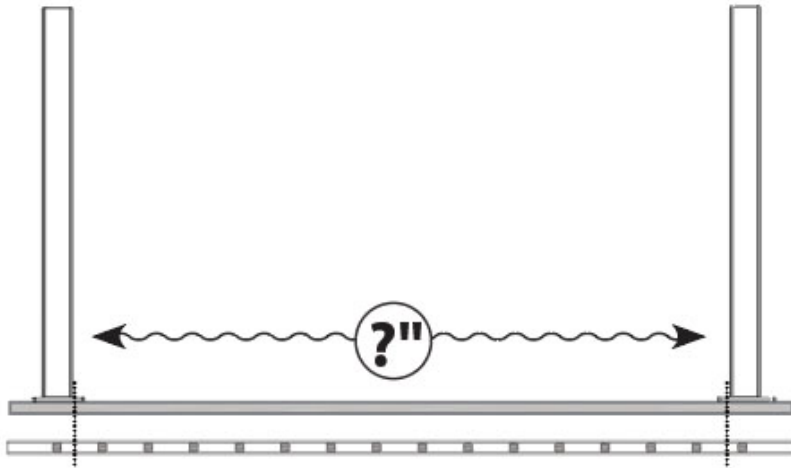


*For additional post installation details, please refer to the installation guide included with the S100 Post, Cap & Trim Kit.

STEP 2 – Measure and Cut Steel Rail Panels

NOTE: Never cut material on deck surfaces. To prevent rust stains, remove all metal shavings from the cut area; including the deck, post base cover, post and panel.

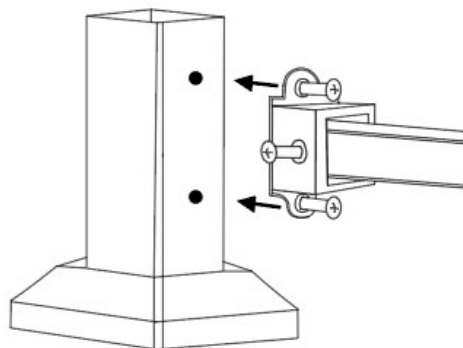
- Measure distance between finished posts or mounting surfaces.
- Mark panel to correct length if cutting is required. Ensure there is equal maximum distance from baluster on both ends. NOTE: Minimum 1-1/2" end spacing is required for installation of brackets.
- If panel length was adjusted, deburr cut edges and coat with zinc-based touch-up paint (item #306090) to prevent corrosion to prevent corrosion.



STEP 3 - Install Steel Panel

NOTE: Be sure to clean-up and remove all metal shavings from the cut area; including the deck, post base cover, post and panel, to prevent rust stains.

- Slide a bracket over the end of each rail. Make sure that all set screw holes face the desired direction.
- Cut two (2) support blocks to desired rail sweep measurement and place rail assembly on support blocks between posts.
- Slide brackets to post and mark screw locations. Set rail assembly aside. Pre-drill 3/16" pilot holes at marked screw locations.
- Place rail assembly between posts and install brackets using provided T-25 screws. Use low speed setting on drill.
- Pre-drill pilot holes and secure rails with provided set screws on the side of each bracket.



FAIRWAY RAILING™

BY  **Envision**
OUTDOOR LIVING PRODUCTS

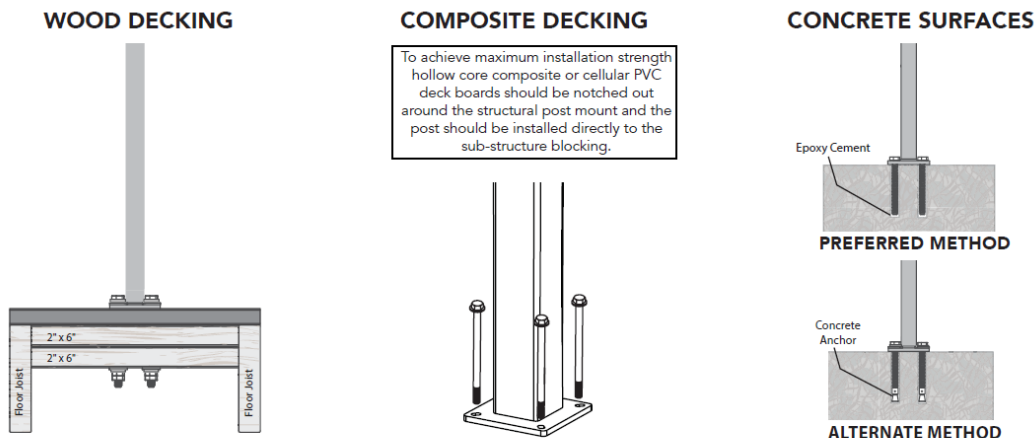
S110 Steel Adjustable Stair Panel Installation Instructions

NOTE: Fairway Architectural Railing Solutions will not be held liable for incorrect or unsafe installations by installer. It is the installer's responsibility to secure proper building permits, review local codes and safety needs and meet or exceed them. The instructions provided by Fairway are a guide and may not account for every special circumstance. The installer must identify and execute the installation approach that is appropriate for every application

STEP 1 - Install S110 Flanged Steel Post* for Wood and Composite Decking, and Concrete Surface (S110 steel flanged post, cap & trim kit sold separately from stair panel.)

- Determine placement of post on deck or concrete surface. Set post in place and mark mounting holes.
- Mount post to surface using one of the options and suggested mounting hardware pictured below.
NOTE: Installer must determine the proper mounting hardware (*sold separately*) based on application.
- With post secured to surface, check post with a level. If the post needs to be adjusted for plumb, loosen mounting bolts and adjust with ¼" shims (*sold separately*). Tighten mounting bolts. Install optional post trim at this time.

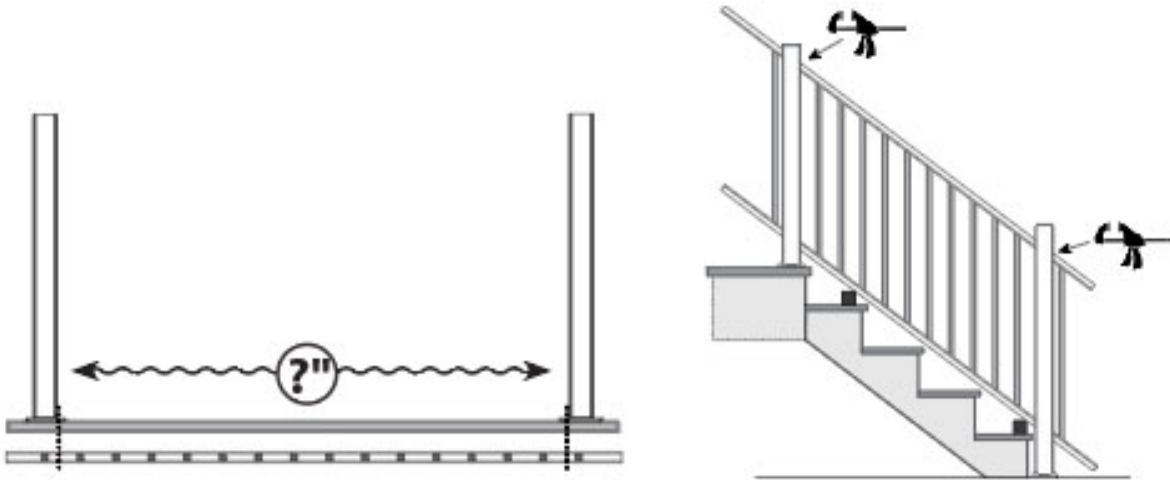
NOTE: Wood posts can be substituted for flanged steel posts. (*Installation instructions not included.*)



*For additional post installation details, please refer to the installation guide included with the S100 Post, Cap & Trim Kit.

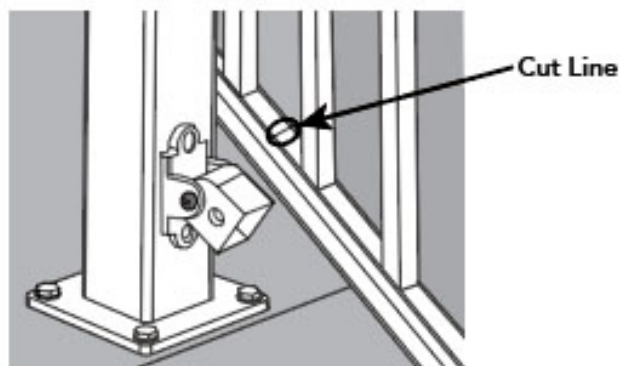
STEP 2 – Line Up Stair Panel

- Using support blocks on the top and bottom step to ensure proper rail sweep height, set bottom rail onto support blocks and rake panel so that the balusters are parallel with post.
- Using quick clamps, clamp top rail to each post.
- Balance out baluster end spacing to ensure equal and maximum distance from post to first baluster.



STEP 3 – Mark Cut and Drill Locations

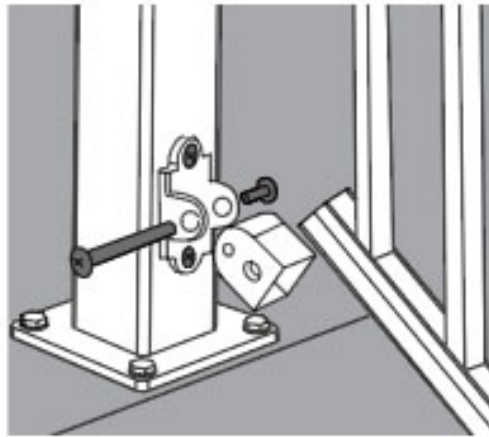
- Hold brackets on post next to the rail and mark rail at all bracket locations.
- Mark post plate hole locations on post.
- Remove clamps and set rail panel aside.
- Find post center line and transfer plate hole location to center of post.



STEP 4 – Cut Rails and Pre-Drill Posts

NOTE: Never cut material on deck surfaces. To prevent rust stains, remove all metal shavings from the cut area; including the deck, post base cover, post and panel.

- Cut the rails at all marks, parallel to the end of the rail.
- Deburr cut edges and coat with two (2) coats of zinc-based touch-up paint (item #306090).
- Pre-drill bracket hole locations on posts using 3/16" drill bit.
- Remove hinge pin from stair bracket assemblies.
- Attach all bracket plates to post using provided T-25 screws.
- Slide brackets onto the end of the rails.



STEP 5 – Install Rail Panel and Secure Brackets

- Set panel in place using support blocks from previous step.
- Line up brackets with bracket plate and replace hinge pin.
- Check fit of panel and adjust as necessary.
- Pre-drill using 3/16" drill bit at rail screw location on side of bracket.
- Install Provided T-25 screw.

