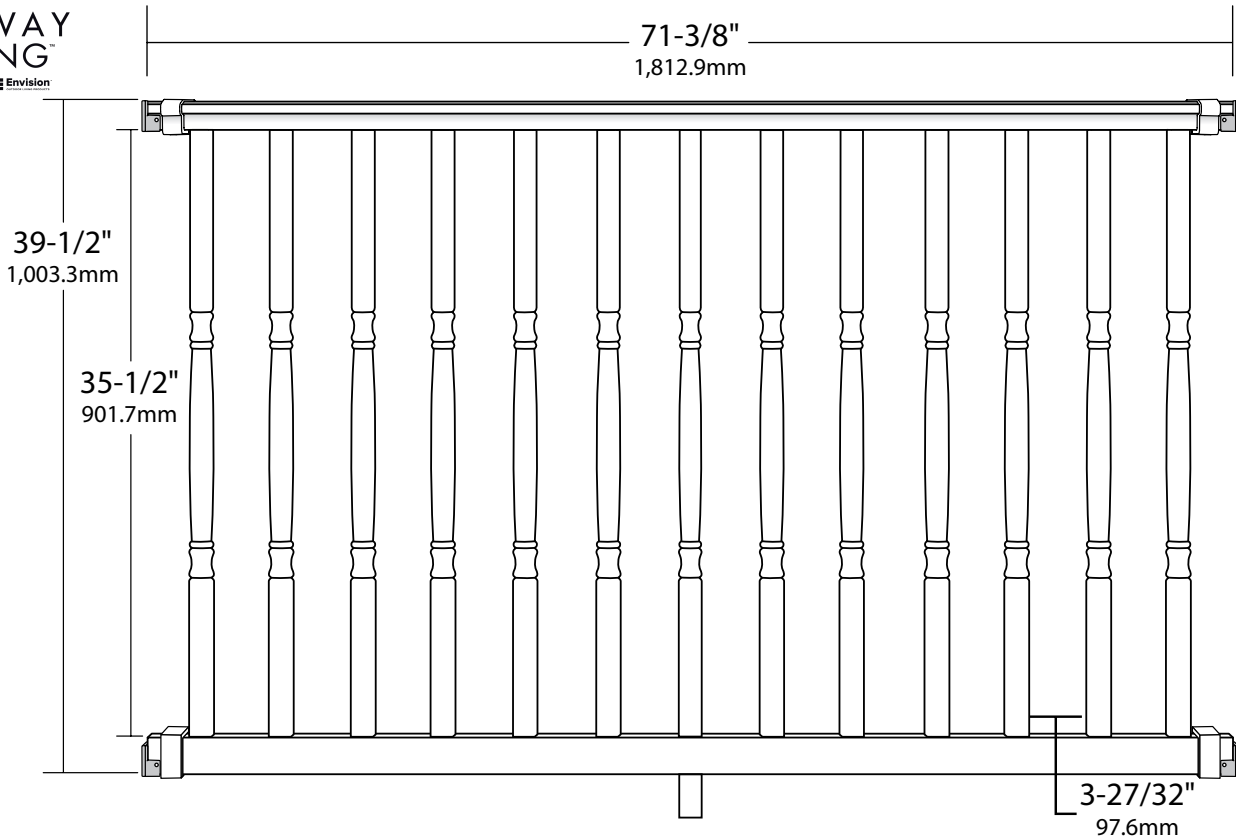
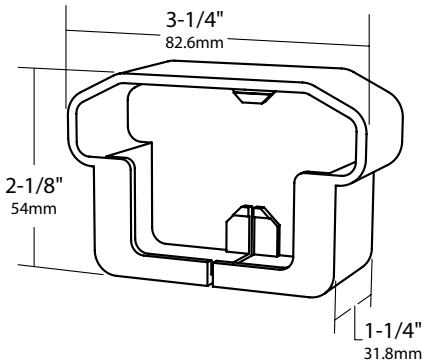


# Fairway V110 Vinyl Railing

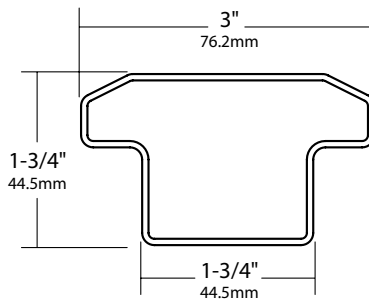
**FAIRWAY RAILING™**  
Envision



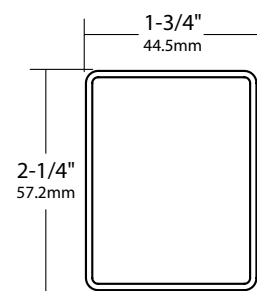
**Top Rail Bracket Cover**



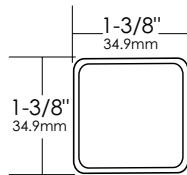
**Top Rail Cutaway**



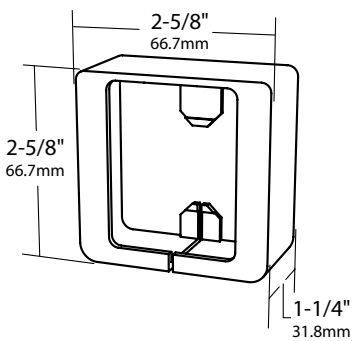
**Bottom Rail Cutaway**



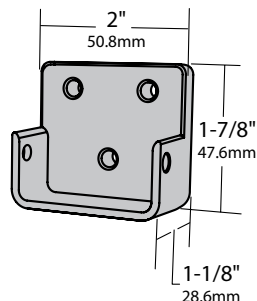
**1-3/8" x 1-3/8" x 38-1/2"**  
34.9mm 34.9mm 977.9mm  
**Turned Baluster**



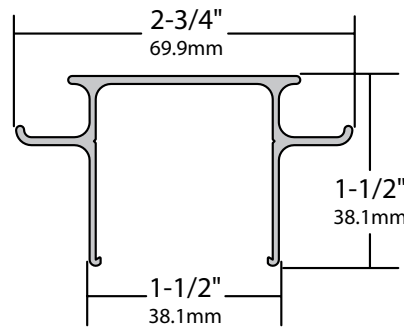
**Bottom Rail Bracket Cover**



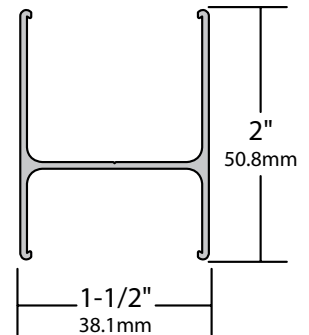
**Die Cast Mounting Bracket**  
(Same Bracket for Both Top & Bottom Rail)



**Top Rail Aluminum Insert**



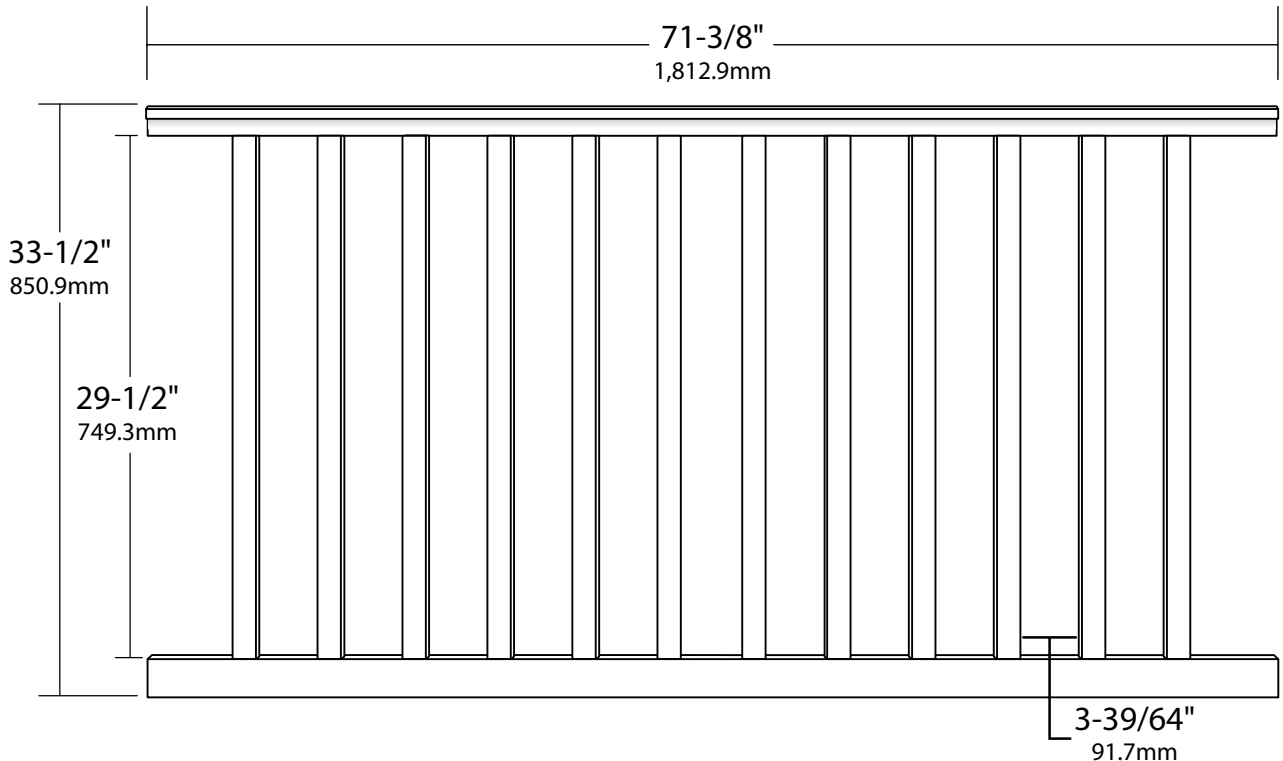
**Bottom Rail Aluminum Insert**



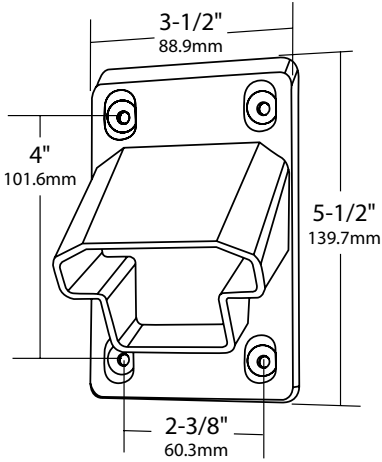
DOCUMENT TITLE: 6' Level Vinyl Rail Kit w/Turned Balusters (42" Rail Height)			
This drawing is the property of Fairway Vinyl Systems. Any hard copy of this drawing may not be current. This document and or images contained within may not be reproduced in publication format without express written consent of Fairway Vinyl Systems. Drawings may not be to scale.			
V110		P.O. Box 37 Mount Joy, Pa 17552	
UOM: #/ft/m	REF: 400600 & 400601	REV:	
SCALE:	SHEET: 1 of 1	DRAWN BY: A.H.	DATE: 2/22/10

Dimensions and tolerances contained on drawings and figures are for reference only and may not encompass total allowable and approved dimensional variations.

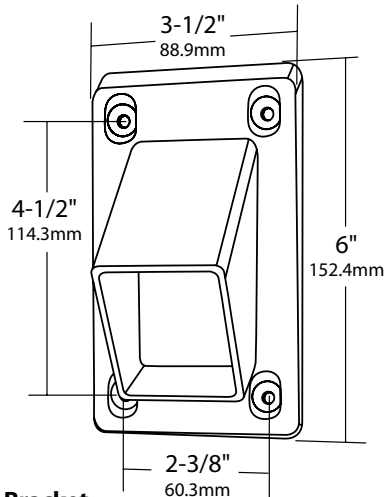
# Fairway V110 Vinyl Railing



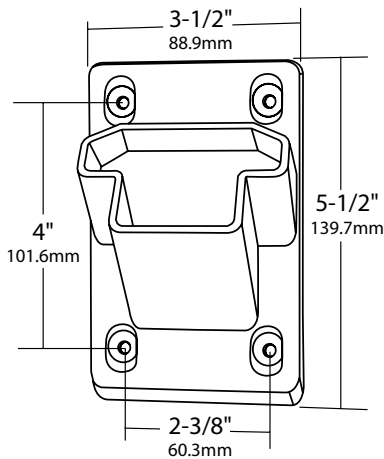
**Top Rail Stair Bracket**  
(Top of Stair Run)



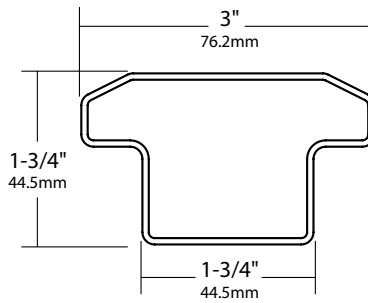
**Bottom Rail Stair Bracket**  
(Same Bracket for Both Top & Bottom)



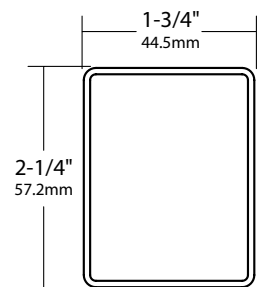
**Top Rail Stair Bracket**  
(Bottom of Stair Run)



**Top Rail Cutaway**

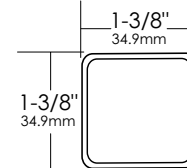


**Bottom Rail Cutaway**

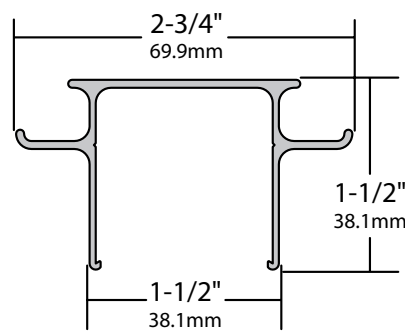


**1-3/8" x 1-3/8" x 32-1/2"**  
34.9mm 34.9mm 825.5mm

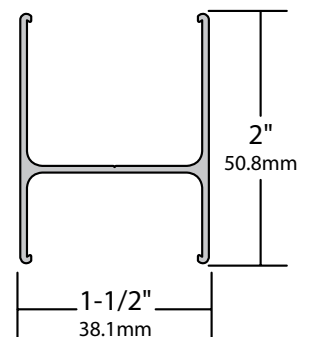
**Square Baluster**



**Top Rail Aluminum Insert**



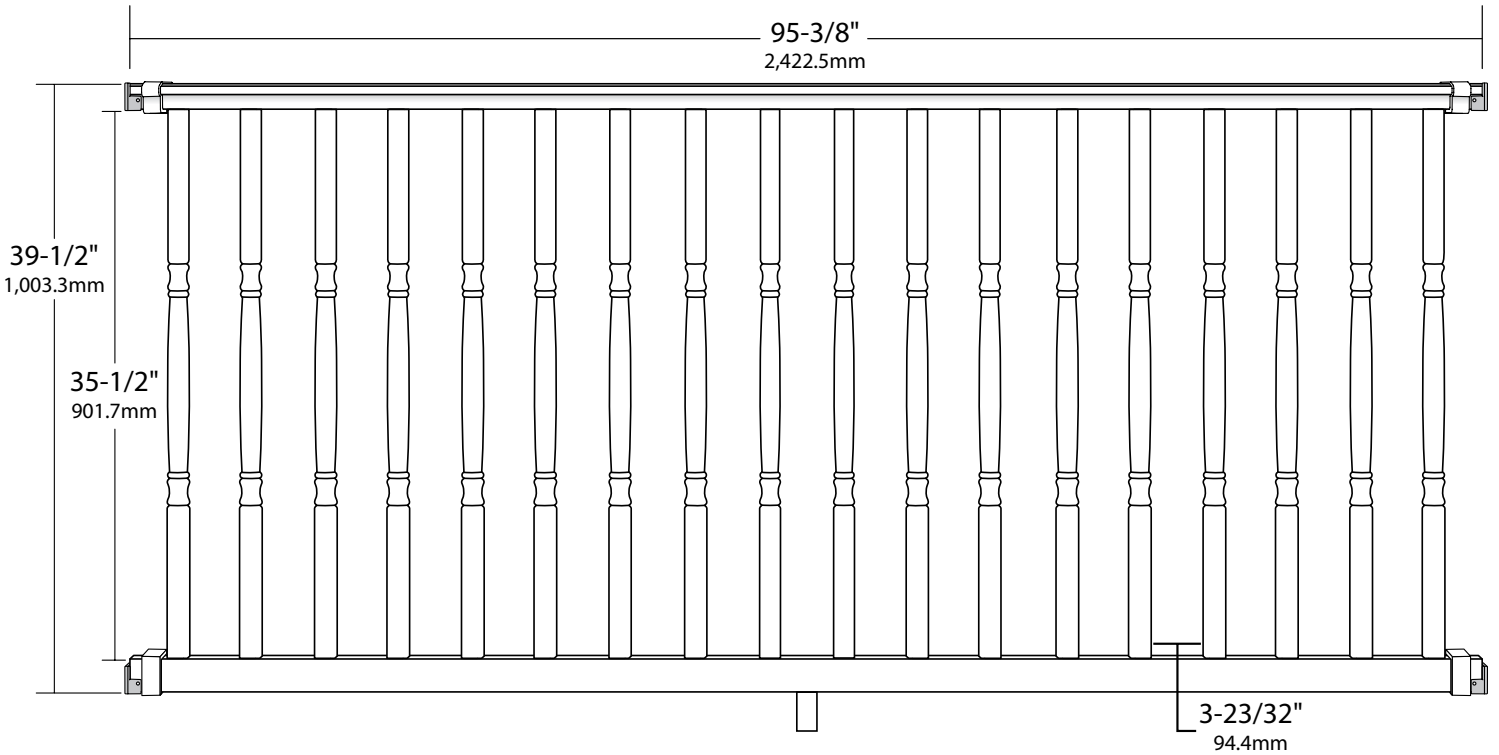
**Bottom Rail Aluminum Insert**



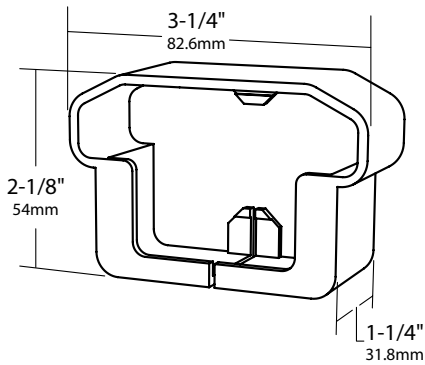
Dimensions and tolerances contained on drawings and figures are for reference only and may not encompass total allowable and approved dimensional variations.

DOCUMENT TITLE:		6' Stair Vinyl Rail Kit w/Square Balusters (36" Rail Height)			
This drawing is the property of Fairway Vinyl Systems. Any hard copy of this drawing may not be current. This document and or images contained within may not be reproduced in publication format without express written consent of Fairway Vinyl Systems. Drawings may not be to scale.					
		<b>V110</b>			
		P.O. Box 37 Mount Joy, Pa 17552			
LOCAL #	REF#	400640 & 400641		REV	
SCALE	SHEET#	1 of 1	DRAWN BY	DATE	2/22/10

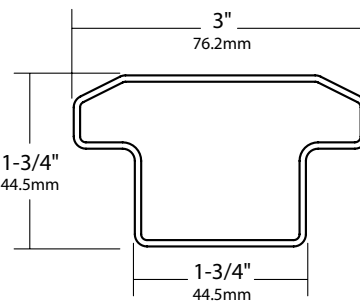
# Fairway V110 Vinyl Railing



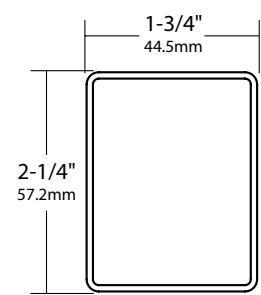
**Top Rail Bracket Cover**



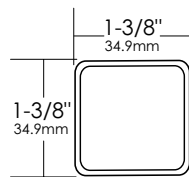
**Top Rail Cutaway**



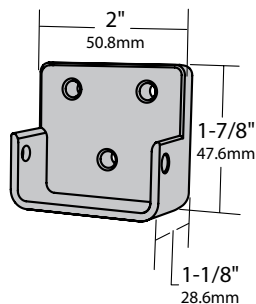
**Bottom Rail Cutaway**



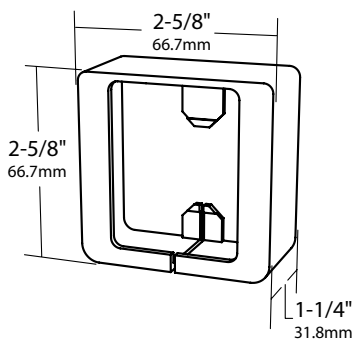
**1-3/8" x 1-3/8" x 38-1/2"**  
34.9mm 34.9mm 977.9mm  
**Turned Baluster**



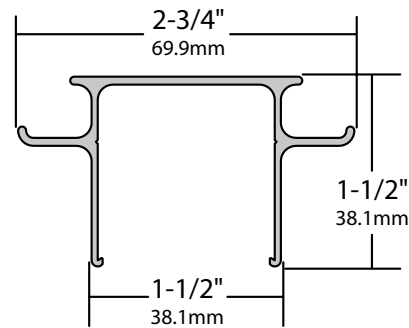
**Die Cast Mounting Bracket**  
(Same Bracket for Both Top & Bottom Rail)



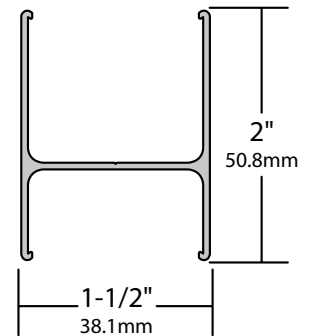
**Bottom Rail Bracket Cover**



**Top Rail Aluminum Insert**



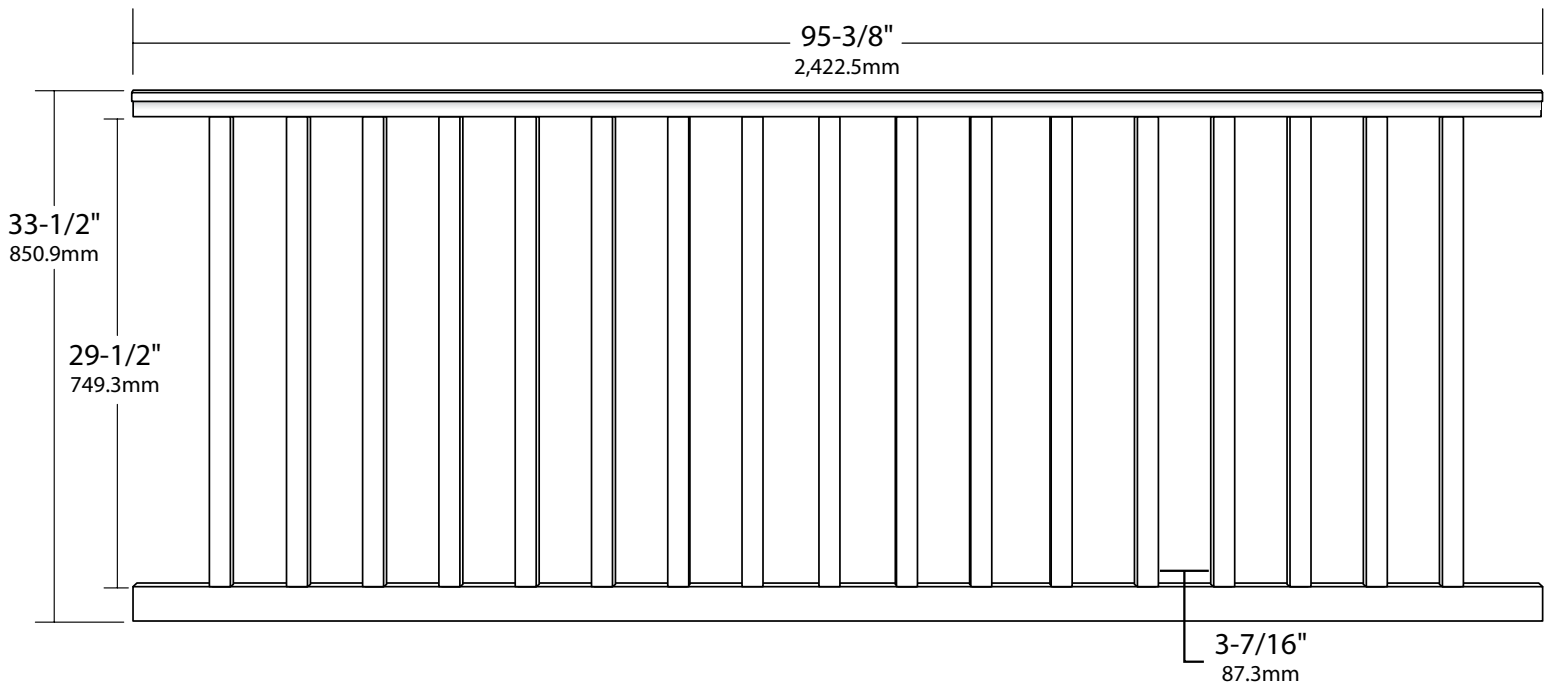
**Bottom Rail Aluminum Insert**



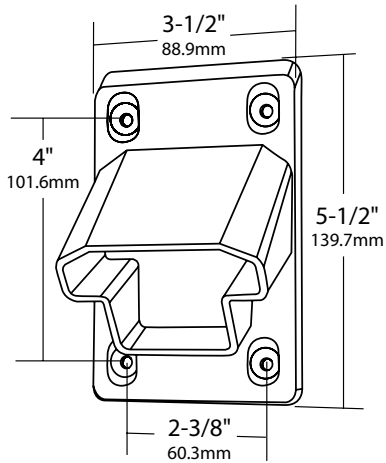
Dimensions and tolerances contained on drawings and figures are for reference only and may not encompass total allowable and approved dimensional variations.

DOCUMENT TITLE: 8' Level Vinyl Rail Kit w/ Turned Balusters (42" Rail Height)			
This drawing is the property of Fairway Vinyl Systems. Any hard copy of this drawing may not be current. This document and/or images contained within may not be reproduced in publication format without express written consent of Fairway Vinyl Systems. Drawings may not be to scale.			
<b>V110</b>			
P.O. Box 37 Mount Joy, Pa 17552			
UOM inch/mm	REF# 400604 & 400605	REV	
SCALE	SHEET# 1 of 1	DRAWN BY AH	DATE 2/22/10

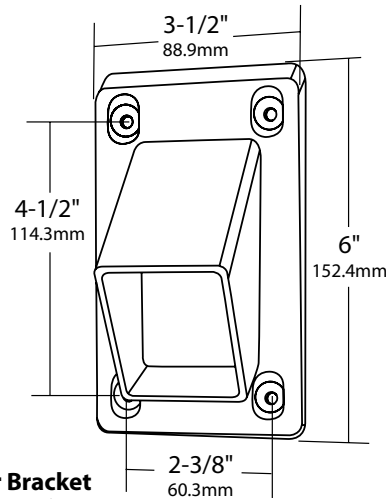
# Fairway V110 Vinyl Railing



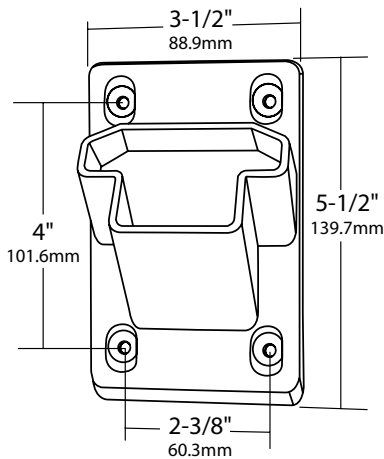
**Top Rail Stair Bracket**  
(Top of Stair Run)



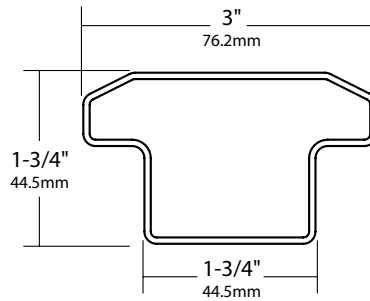
**Bottom Rail Stair Bracket**  
(Same Bracket for Both Top & Bottom)



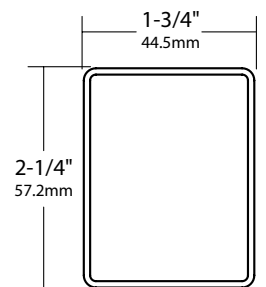
**Top Rail Stair Bracket**  
(Bottom of Stair Run)



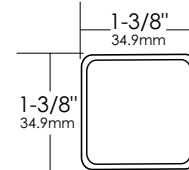
**Top Rail Cutaway**



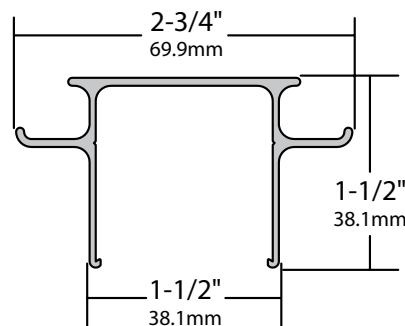
**Bottom Rail Cutaway**



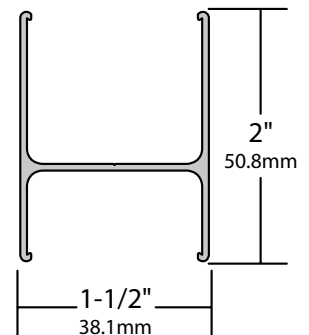
**1-3/8" x 1-3/8" x 32-1/2"**  
34.9mm 34.9mm 825.5mm  
**Square Baluster**



**Top Rail Aluminum Insert**



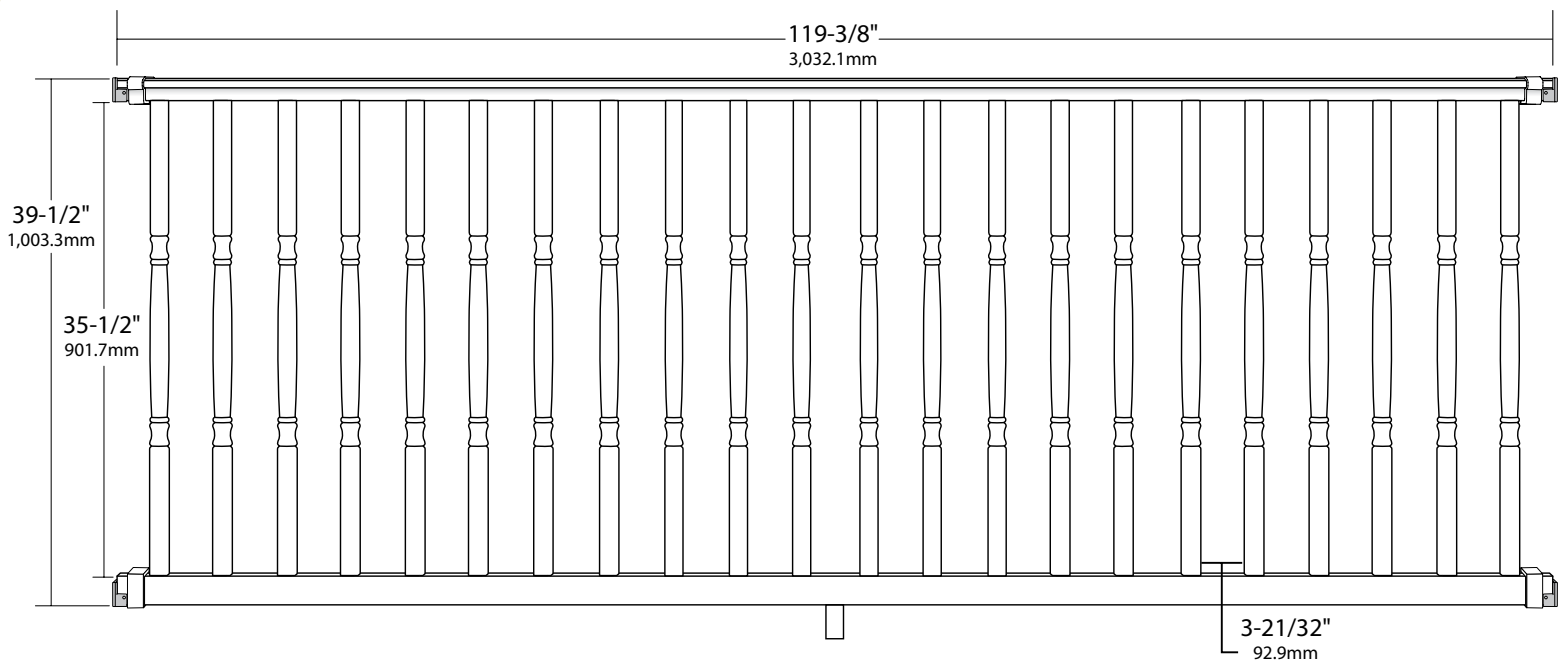
**Bottom Rail Aluminum Insert**



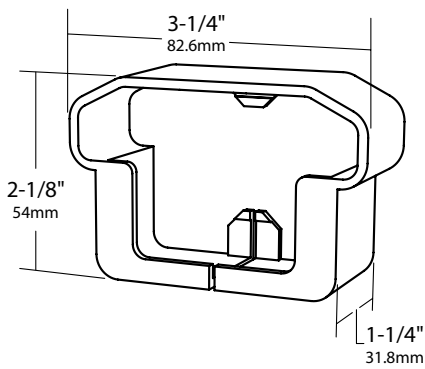
Dimensions and tolerances contained on drawings and figures are for reference only and may not encompass total allowable and approved dimensional variations.

DOCUMENT TITLE:		8' Stair Vinyl Rail Kit w/Square Balusters (36" Rail Height)			
This drawing is the property of Fairway Vinyl Systems. Any hard copy of this drawing may not be current.					
<b>V110</b>					
P.O. Box 37 Mount Joy, Pa 17552					
UOM	REF#	400645 & 400646	REV		
SCALE	SHEET#	1 of 1	DRAWN BY	DATE	2/22/10

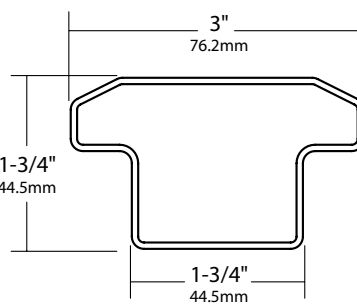
# Fairway V110 Vinyl Railing



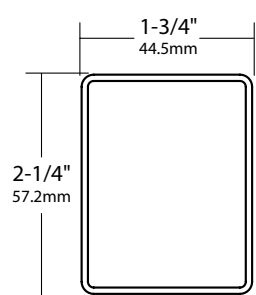
**Top Rail Bracket Cover**



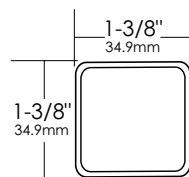
**Top Rail Cutaway**



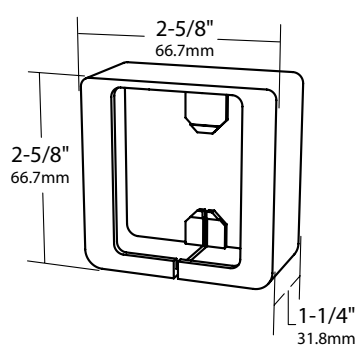
**Bottom Rail Cutaway**



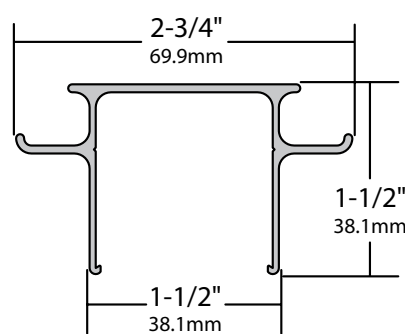
**1-3/8" x 1-3/8" x 38-1/2"**  
34.9mm 34.9mm 977.9mm  
**Turned Baluster**



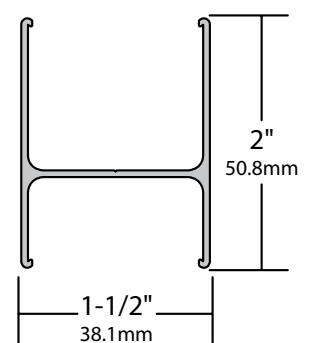
**Bottom Rail Bracket Cover**



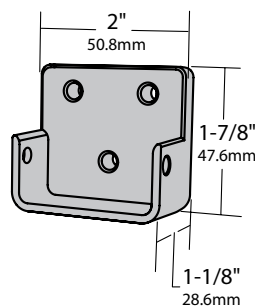
**Top Rail Aluminum Insert**



**Bottom Rail Aluminum Insert**



**Die Cast Mounting Bracket**  
(Same Bracket for Both Top & Bottom Rail)

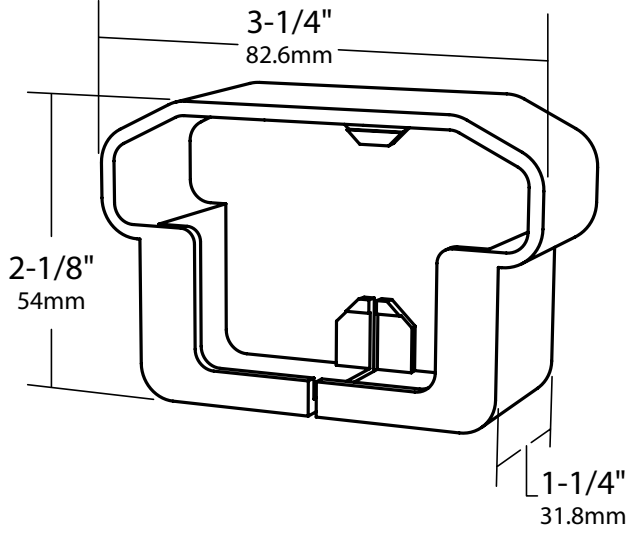


Dimensions and tolerances contained on drawings and figures are for reference only and may not encompass total allowable and approved dimensional variations.

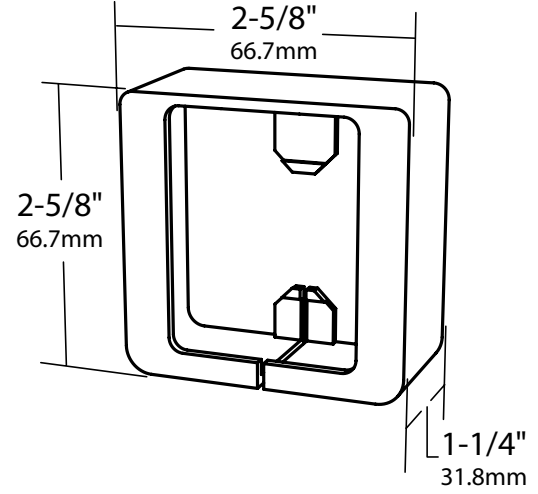
DOCUMENT TITLE:		10' Level Vinyl Rail Kit w/Turned Balusters (42" Rail Height)			
This drawing is the property of Fairway Vinyl Systems. Any hard copy of this drawing may not be current.		<b>V110</b>			
This document and/or images contained within may not be reproduced in publication format without express written consent of Fairway Vinyl Systems. Drawings may not be to scale.		P.O. Box 37 Mount Joy, Pa 17552			
SCALE	SHEET#	REF#	DATE	REV	
	1 of 1	400632 & 400633	2/18/10		

# Fairway V110 Vinyl Railing

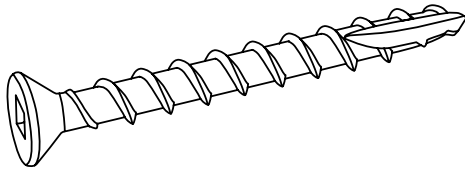
## 4x - TOP RAIL BRACKET COVER



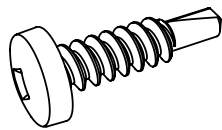
## 4x - BOTTOM RAIL BRACKET COVER



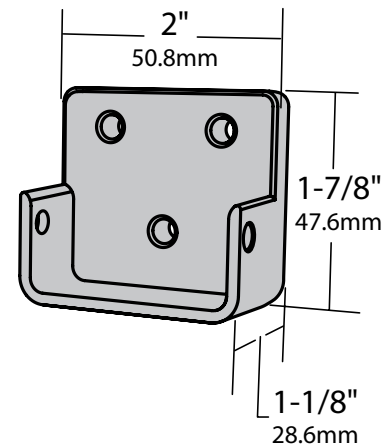
## 12x - #8 x 1-1/2\" Stainless Steel Screws



## 8x - #10 x 3/4\" Stainless Steel Screws



## 4x - DIE CAST MOUNTING BRACKET (Same Bracket for Both Top & Bottom Rail)

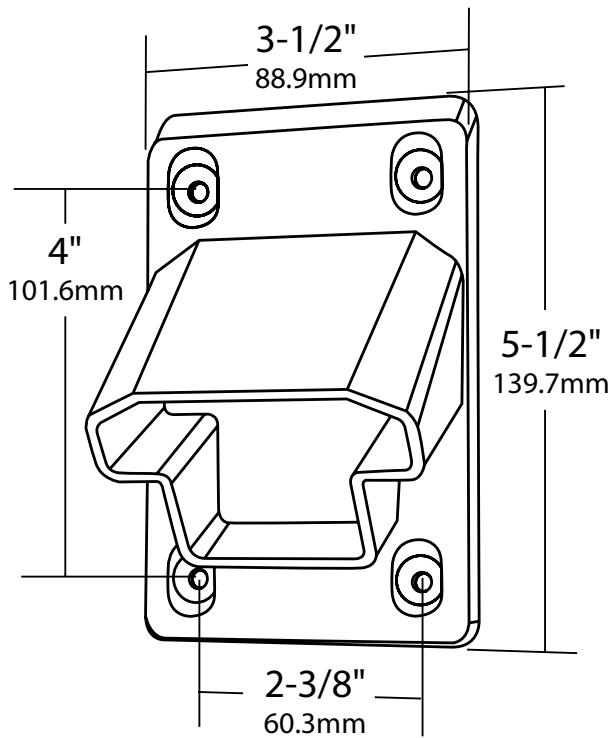


Dimensions and tolerances contained on drawings and figures are for reference only and may not encompass total allowable and approved dimensional variations.

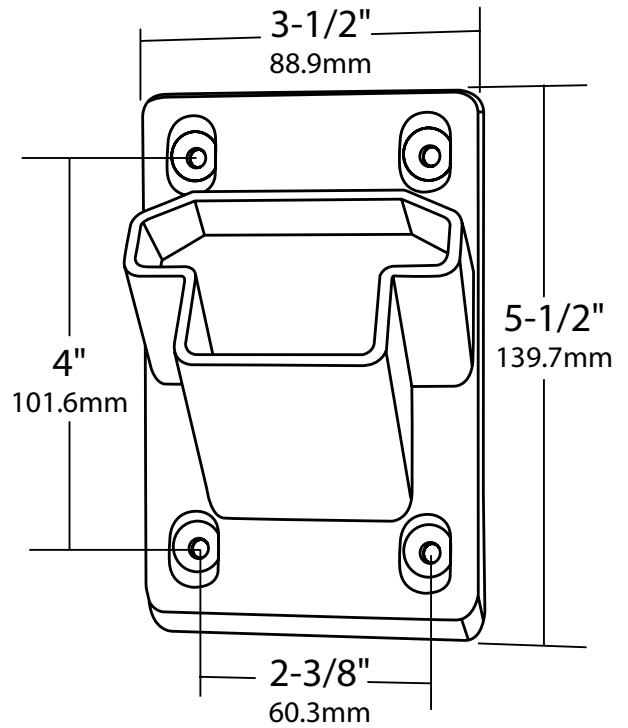
DOCUMENT TITLE:		Vinyl Level Bracket Kit			
This drawing is the property of Fairway Vinyl Systems. Any hard copy of this drawing may not be current.		V110			
This document and or images contained within may not be reproduced in publication format without express written consent of Fairway Vinyl Systems. Drawings may not be to scale.		P.O. Box 37 Mount Joy, Pa 17552			
SCALE	SHEET#	REF#	DATE	REV	
	1 of 1	400610 & 400611	2/26/10		
		DRAWN BY	DATE		
		AH	2/26/10		

# Fairway V110 Vinyl Railing

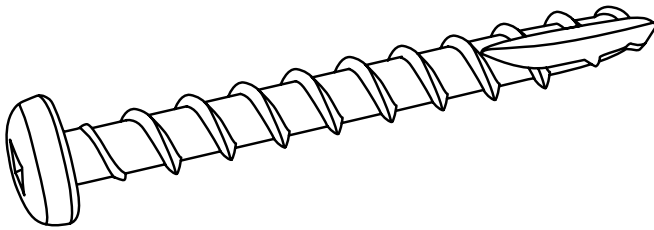
## Top Rail Stair Bracket (Top of Stair Run)



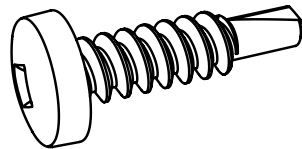
## Top Rail Stair Bracket (Bottom of Stair Run)



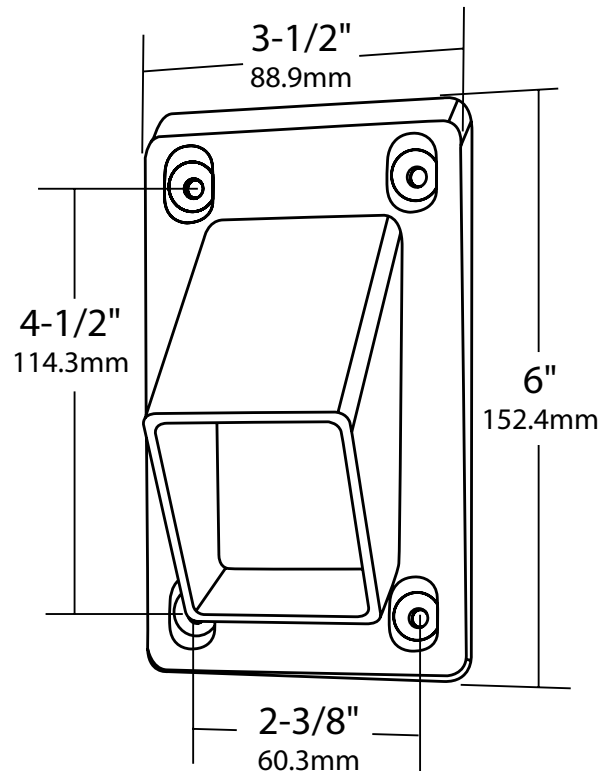
### 16x - #8 x 1-1/2" Stainless Steel Screws



### 8x - #10 x 3/4" Stainless Steel Screws (Powder Coated End)



## Bottom Rail Stair Bracket (Same Bracket for Both Top & Bottom)

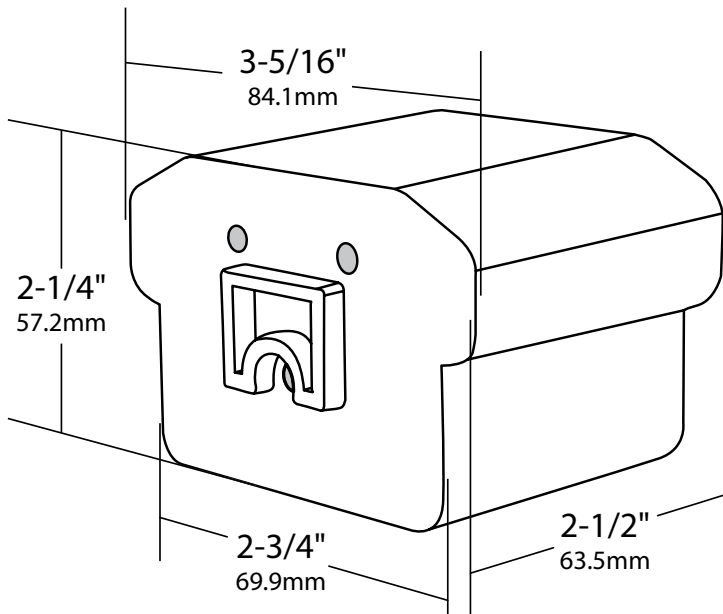


Dimensions and tolerances contained on drawings and figures are for reference only and may not encompass total allowable and approved dimensional variations.

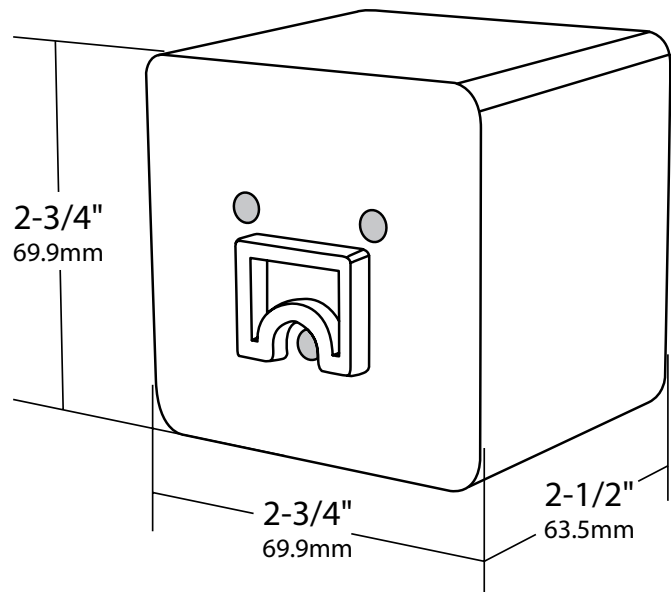
DOCUMENT TITLE:		Vinyl Stair Bracket Kit			
		V110			
This drawing is the property of Fairway Vinyl Systems. Any hard copy of this drawing may not be current.		P.O. Box 37 Mount Joy, Pa 17552			
This document and or images contained within may not be reproduced in publication format without express written consent of Fairway Vinyl Systems. Drawings may not be to scale.		UNION REF#	400615 & 400616	REV	
SCALE	SHEET#	1 of 1	DRAWN BY	DATE	2/26/10

# Fairway V110 Vinyl Railing

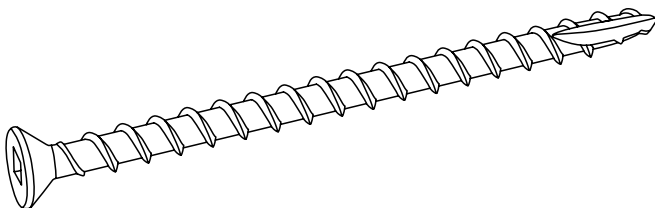
## 2X - TOP RAIL BRACKET ADAPTER



## 2X - BOTTOM RAIL BRACKET ADAPTER



## 12X - #8 x 2-1/2\"/> Stainless Steel Screws



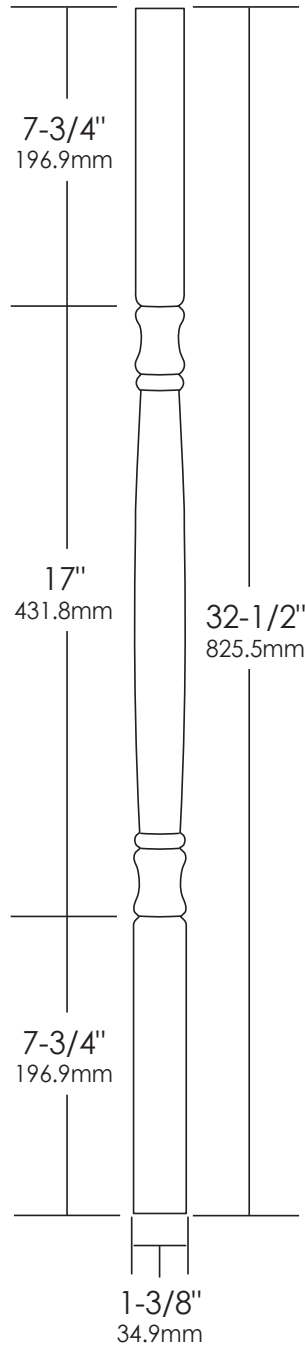
Dimensions and tolerances contained on drawings and figures are for reference only and may not encompass total allowable and approved dimensional variations.

DOCUMENT TITLE:		Vinyl Bracket Adapter Kit			
		V110			
This drawing is the property of Fairway Vinyl Systems. Any hard copy of this drawing may not be current.		P.O. Box 37 Mount Joy, Pa 17552			
UNION #10/31mm	REF#	400620 & 400621	REV		
SCALE	SHEET#	1 of 1	DRAWN BY	DATE	2/26/10



# Fairway V110 Vinyl Railing

## 1-3/8" x 1-3/8" x 32-1/2" LandMarke Turned Baluster

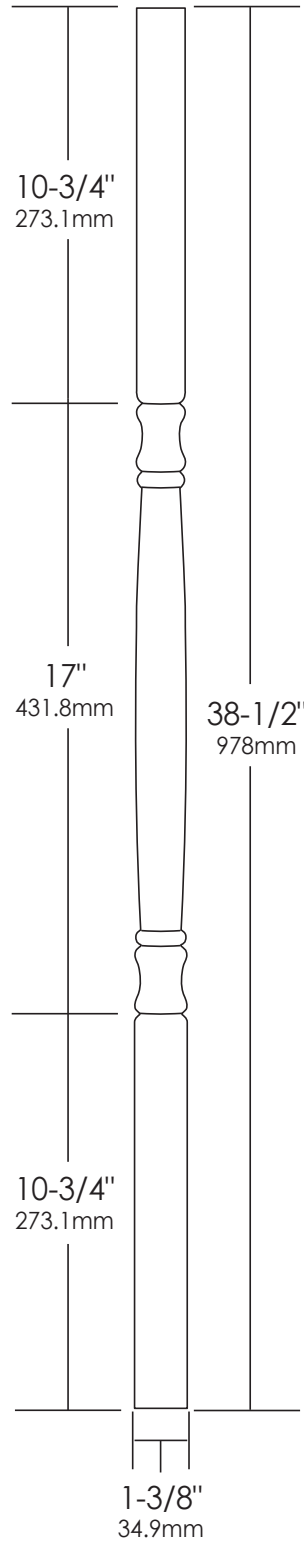


Dimensions and tolerances contained on drawings and figures are for reference only and may not encompass total allowable and approved dimensional variations.

DOCUMENT TITLE: LandMarke 1-3/8" x 1-3/8" x 32-1/2" Turned Baluster			
This drawing is the property of Fairway Vinyl Systems. Any hard copy of this drawing may not be current.			
<b>V110</b>			
P.O. Box 37 Mount Joy, Pa 17552			
UOM inch/mm	REF# T1303W, T1303C	REV	
SCALE	SHEET# 1 of 1	DRAWN BY AH	DATE 2/22/10

# Fairway V110 Vinyl Railing

## 1-3/8" x 1-3/8" x 38-1/2" LandMarke Turned Baluster



Dimensions and tolerances contained on drawings and figures are for reference only and may not encompass total allowable and approved dimensional variations.

DOCUMENT TITLE: LandMarke 1-3/8" x 1-3/8" x 38-1/2" Turned Baluster			
This drawing is the property of Fairway Vinyl Systems. Any hard copy of this drawing may not be current.			
<b>V110</b>			
P.O. Box 37 Mount Joy, Pa 17552			
UCM #12345678	REF# T1304W, T1304C	REV	
SCALE	SHEET# 1 of 1	DRAWN BY AH	DATE 2/22/10