

FAIRWAY RAILING™

BY  **Envision™**
OUTDOOR LIVING PRODUCTS

HORIZONTAL BALUSTER INFILL

INSTALLATION QUICK GUIDE

HORIZONTAL BALUSTER INFILL



P300 Cellular PVC Railing
(Shown without bottom rail option)



CP300 Composite Railing
(Shown without bottom rail option)



A210 Aluminum Railing
(Shown without bottom rail option)



A310 Aluminum Railing
(Shown without bottom rail option)

P300 & CP300 LEVEL & STAIR KIT INCLUDES:

- Top Rail with *Aluminum Insert
- Top Sub-Rail
- Bottom Rail w/*Aluminum Insert (Optional)
- Intermediate Baluster
- Mounting Brackets with Screws
- 5/8" Round Aluminum Balusters with Buttons & Brackets
- Rail Support (Only with bottom rail) (*P310 Only)

A210 & A310 LEVEL & STAIR KIT INCLUDES:

- Top Rail
- *Top Sub-Rail
- Bottom Rail (Optional)
- Intermediate Baluster
- Mounting Brackets with Screws
- 5/8" Round Aluminum Balusters with Buttons & Brackets
- Rail Support (Only with bottom rail) (*A210 Only)

TOOLS NEEDED:

- Drill with #2 Square Drive Bit
- Circular Saw
- Speed Square
- Tape Measure
- Drill Extension



A210 & A310



CP300



P300

HORIZONTAL BALUSTER INFILL LEVEL INSTALLATION

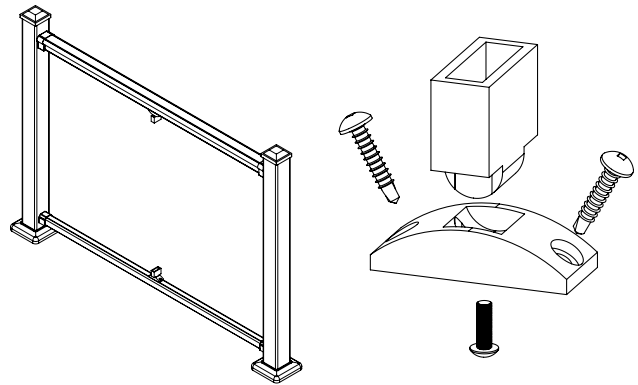
BEFORE STARTING

- Follow instructions for your rail technology to mount brackets and rails to your posts.
- Determine rail length and cut accordingly.

STEP 1 - PRE-DRILL RAILS FOR INTERMEDIATE BALUSTER BRACKETS

- Remove brackets from intermediate baluster.
- Position bracket in center of rails, mark holes and pre-drill with 1/8" bit or, if no bottom rail is being used, position intermediate baluster bracket directly on surface centered between posts.
- At this time, do not attach intermediate baluster brackets.

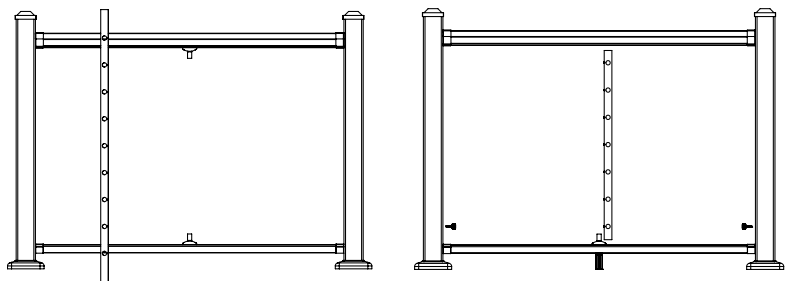
STEP 1



STEP 2 - CUT INTERMEDIATE BALUSTER

- Measure distance between top & bottom rails.
- Deduct 1-5/8" for intermediate baluster brackets.
- Transfer this measurement to the intermediate baluster.
- Making sure to keep equal distance from intermediate baluster end to first hole, both top and bottom, cut to length.

STEP 2 & 3

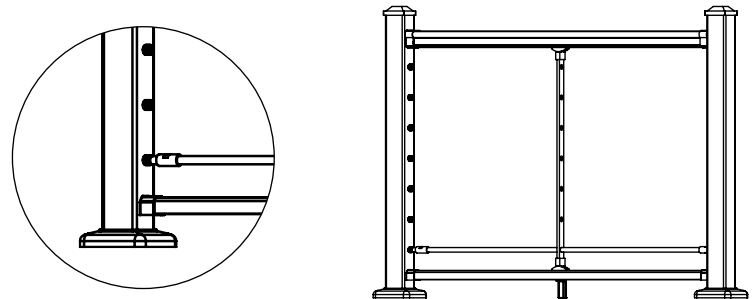


STEP 3 - INSTALL BRACKET BUTTONS

- Insert the intermediate baluster brackets on to the intermediate baluster.
- Place the baluster against the post between the top and bottom rail (or surface) and mark where to drill the holes for the button brackets. (Each concurrent mark should be 4-3/16", on center, on each post. The use of optional template #203012 is advised for accuracy.)
- Pre-drill each mark with a 1/8" size drill bit.
- Secure buttons to posts with supplied screws.

NOTE: If using a structural post it is highly recommended that a structural component, part #401054 for 36" rail, #401055 for 42" rail be used to ensure proper adherence of buttons to post.

STEP 4



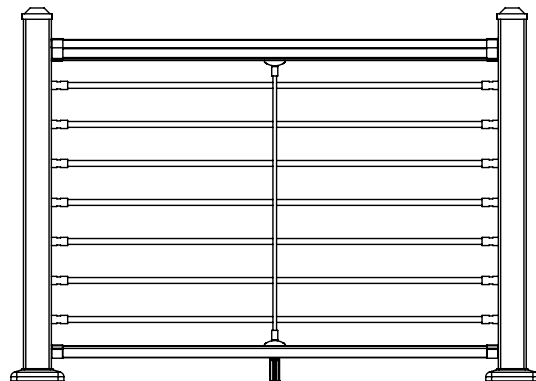
STEP 4 - CUT HORIZONTAL BALUSTERS

- Measure distance between posts and deduct 1-1/4". Cut horizontal balusters to length.

STEP 5 - INSTALL INTERMEDIATE BALUSTER

- Position the bottom intermediate baluster bracket over the previously drilled holes in the bottom rail and attach bracket.
- Insert the top intermediate baluster bracket on to the intermediate baluster.
- Insert intermediate baluster into attached bottom intermediate baluster bracket.
- Position top intermediate baluster bracket over previously drilled holes and attach bracket to top rail.

STEP 5



STEP 6 - INSTALL HORIZONTAL BALUSTERS

- Insert horizontal balusters through holes of intermediate baluster.
- Slide brackets over each end of each horizontal baluster with threaded side toward the buttons.
- Position and screw brackets onto buttons.

NOTE: If they do not line up perfectly, apply pressure to the horizontal baluster until bracket is screwed completely onto button in order to prevent cross-threading.

STEP 7 - FINISHING STEPS

- To prevent rattling, tighten all set screws with an M4 allen wrench.



Fairway Architectural Railing Solutions will not be held liable for incorrect or unsafe installations by the installer. It is the installer's responsibility to secure proper building permits, review local codes and safety needs and meet or exceed them. The instructions provided by Fairway are a guide and may not account for every special circumstance. The installer must identify and execute the installation approach that is appropriate for every application.

HORIZONTAL BALUSTER PANEL INFILL STAIR INSTALLATION

BEFORE STARTING

- Follow instructions for your rail technology to mount bottom rail to posts if using a bottom rail.
- Determine rail length. Cut and install accordingly.

STEP 1 - INSTALL INTERMEDIATE BALUSTER BRACKET

- Remove brackets from intermediate baluster.
- Position bracket in center of rail or, if no bottom rail is used, position bracket in center between posts on stair tread. Mark holes and pre-drill using 1/8" drill bit.
- At this time, only attach bottom bracket to bottom rail or tread.

STEP 2 - INSTALL BRACKET BUTTONS

- Starting at top stair post - Line up buttons with corresponding level rail buttons, if possible. This will ensure continuity of horizontal baluster flow from level to stair.
- Mark and drill button location using 1/8" drill bit.
- If using a structural post, it is highly recommended that a structural component, part # 401054 for 36" rail or #401055 for 42" rail be used for proper adherence of buttons to post.
- Bottom stair post - If using a bottom rail, measure from top of bottom rail to the center of the bottom button hole on the upper post, then transfer this measurement to the lower post. Each subsequent hole should be 4-3/16", on center. The use of optional template #203012 is advised for accuracy.
- If no bottom rail is used, use the horizontal baluster itself to determine the bottom hole placement on the lower post. Keep same distance off tread nose to ensure proper placement.

STEP 3 - INSTALL TOP RAIL & SUB RAIL (IF APPLICABLE)

- Use the top horizontal baluster as a guide or measure off the top hole for top rail placement. Be sure that enough space is left for top rail intermediate baluster bracket. Allow for a minimum of 2" between bottom of top rail and the first horizontal baluster.

STEP 4 - CUT & INSTALL INTERMEDIATE BALUSTER

- Measure distance between top & bottom rails and deduct 1-5/8" for intermediate baluster brackets.
- Transfer this measurement to the intermediate baluster.
- Making sure to keep equal distance from the intermediate baluster end to first hole, both top & bottom, cut to length.
- Remove top and bottom horizontal baluster, if installed.
- Insert bottom of intermediate baluster into baluster bracket.
- Insert top baluster bracket onto intermediate baluster, plumb up baluster, mark bracket holes and pre-drill with 1/8" drill bit.
- Install bracket and intermediate baluster.

STEP 5 - CUT & INSTALL HORIZONTAL BALUSTERS

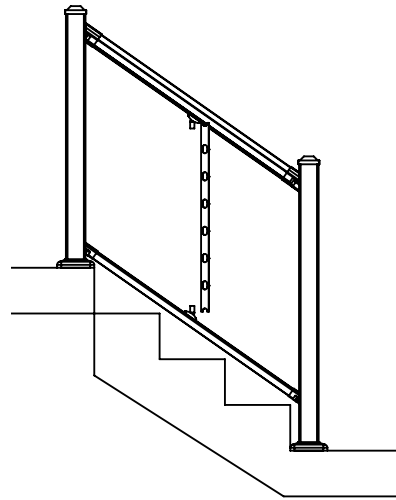
- Position the adjustable angle brackets to the desired pitch or angle location and tighten them to a fixed position.
- Measure the distance between the brackets, where the threads originate on the bracket, and deduct 1/8". Cut horizontal balusters to length.
- Insert horizontal balusters through intermediate baluster.
- Slide brackets over each end of each horizontal baluster with threaded side towards buttons.
- Screw brackets onto buttons.

NOTE: If they do not line up perfectly, apply pressure to the horizontal baluster until bracket is screwed completely onto button in order to prevent cross-threading.

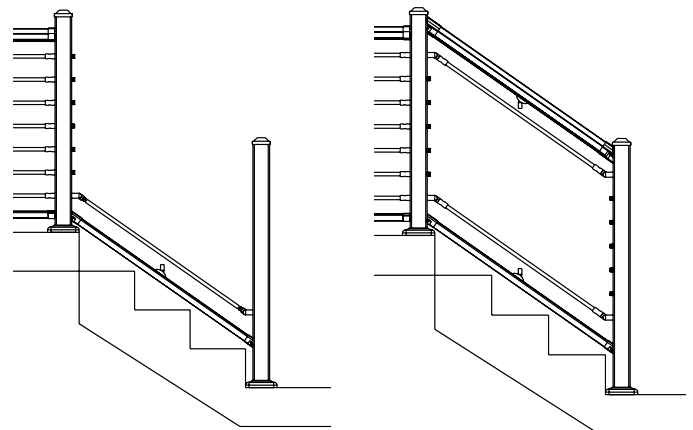
STEP 6 - FINISHING STEPS

- To prevent rattling, tighten all set screws with an M4 allen wrench.

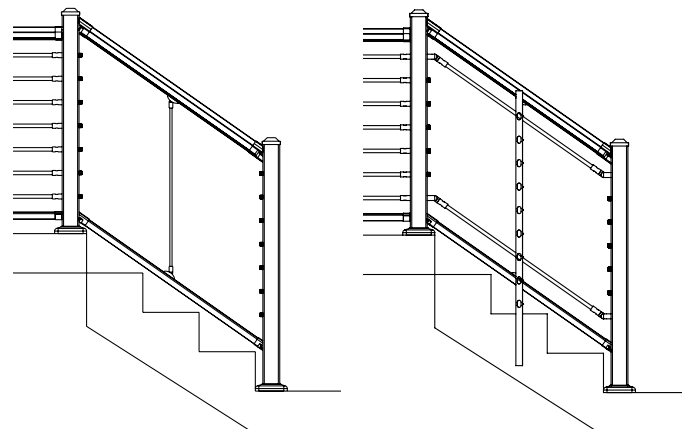
STEP 1



STEP 2 & 3



STEPS 4, 5 & 6



Fairway Architectural Railing Solutions will not be held liable for incorrect or unsafe installations by the installer. It is the installer's responsibility to secure proper building permits, review local codes and safety needs and meet or exceed them. The instructions provided by Fairway are a guide and may not account for every special circumstance. The installer must identify and execute the installation approach that is appropriate for every application.

